

Barudan

Knowledge Base > Frames and Accessories

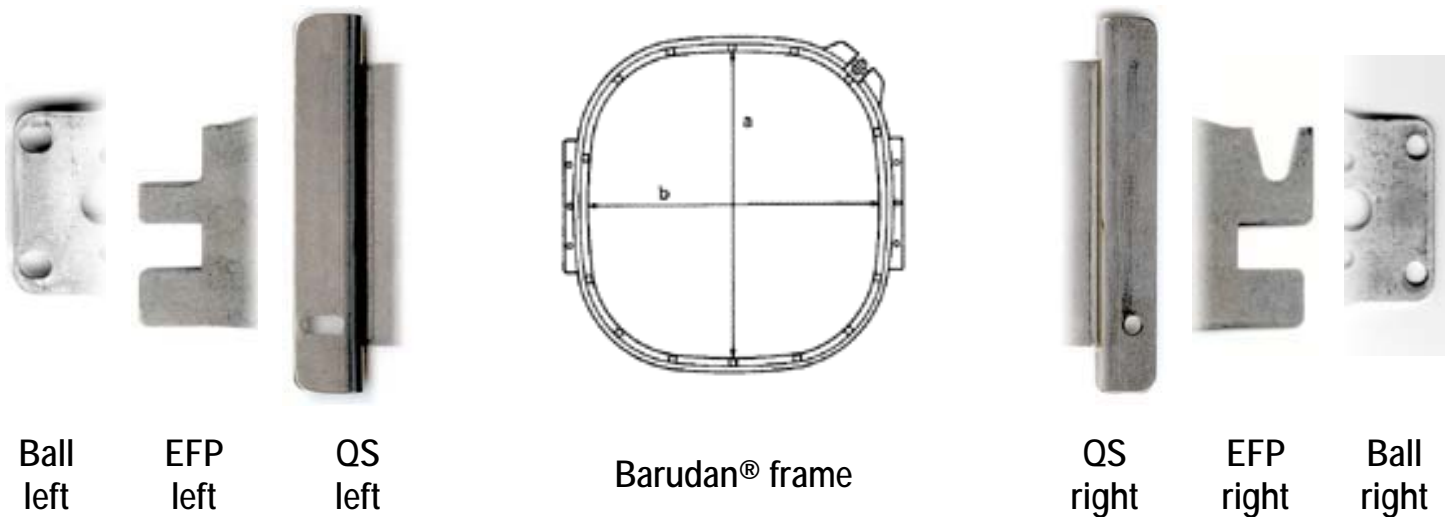
The information in this article applies to the following machine models:

- Barudan V, D, and N Series Multihead Embroidery machines: BEVS, BEVY, BEDS, BEDY, BENS, BENY, BENR, BENB
- Barudan ELITE, ELITE XL, ELITE Pro, C01, and BENT Single Head Embroidery machines

Description



Each frame is comprised of a two-part high quality precision molded industrial plastic frame, and interchangeable mounting clips that attach to the tubular arms. The type of clips needed depends on the frame, the distance between arms, and the type of connecting clips. Frames can be ordered complete, or the components ordered individually. The information below is provided to help determine which parts to order.



Clip Type - QS Barudan introduced the new "QS" new attachment clips in 2001. Made from stainless steel, these clips provide stronger retention, yet are easier to install and remove from the machine. The clip for the right hand side has a single hole, the clip for the left has a slot.

EFP Introduced with Barudan's Tubular system, the **EFP** clips can be identified by the "V" shaped cutout on the right side clip.

BALL Mounting clip installed on some domestic USA machines, and many machines sold in South America. <PLEASE CALL YOUR DISTRIBUTOR TO ORDER THIS TYPE HOOP>

Field - 520 This is the distance between the arms. The 520mm spacing (approximately 20") is on most 1-6 head Barudan machines, and some larger models. The Barudan **Elite, Elite XL & Elite Pro, Elite Pro II** single head machines have 520 spacing

450 450mm (approx 17.75") head spacing found on a few large (12-15 head) machines.

380 380mm (approx. 15") head spacing is typically found on larger Barudan multi-head machines.

Head- Bridge Almost all recent multihead Barudan machines for the US market have "Bridge" type sewing heads (also called beam or portal machines.) These machines can accommodate larger hoops (front-to-back.) These include V series machines, and the free-standing "C01" single head machine.

On the N and D series, the bridge machines have the letters "HE" in the model name. (BENYHE, for instance)

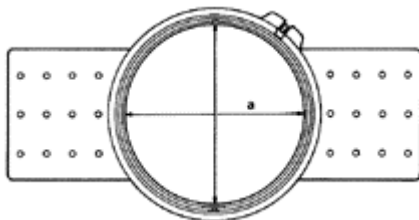
Arm The "Arm" style sewing heads are the traditional style, single piece sewing heads. The head limits the frame travel, so some of the larger oblong frames will not fit. Arm type machines include the BENT "**Elite**" and the "ME" series machines (BENSME/BENYME)

HELPFUL TIP:

Tubular machines with the EFP clip system can be converted to the QS system. Parts kits are available for single head and multi-head machines:

Part Number: ZA100580 for machine type ME series machines (N-Series, M-Series, BEAT-Series)

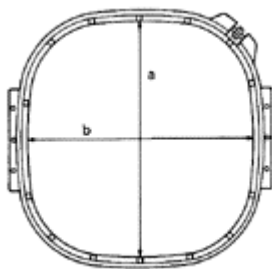
Part Number: ZMG480070 for machine type BENT (Elite machine) and B-2000



ROUND FRAMES

	Clip	Space	Complete Assembly	Left bracket	Hoop Only	Right Bracket
ROUND	QS	380	ZFR9109A380A	FR605060	Inner & Outer:	FR605050

FRAME 9CM		520	ZFR9109A520A	FR605080	FR9109A Outer Only: FA902006	FR605070
	EFP	380	ZEFP9109A380A	A400017		A400018
		520	ZEFP9109A520A	A110085		A110086
ROUND FRAME 12CM	QS	380	ZFR9112A380A	FR605060	Inner & Outer: FR9112A	FR605050
		450	ZFR9112A450A	FR605570		FR605580
		520	ZFR9112A520A	FR605080		FR605070
	EFP	380	ZEFP9112A380A	A400017	Outer Only: FA902007	A400018
		520	ZEFP9112A520A	A110085		A110086
ROUND FRAME 15CM	QS	380	ZFR9115A380A	FR605060	Inner & Outer: FR9115A	FR605050
		450	ZFR9115A450A	FR605570		FR605580
		520	ZFR9115A520A	FR605080		FR605070
	EFP	380	ZEFP9115A380A	A400017	Outer Only: FA902008	A400018
		520	ZEFP9115A520A	A110085		A110086
ROUND FRAME 18CM	QS	380	ZFR9118A380A	FR605060	Inner & Outer: FR9118A	FR605050
		520	ZFR9118A520A	FR605080		FR605070
	EFP	380	ZEFP9118A380A	A400017	Outer Only: FA902009	A400018
		520	ZEFP9118A520A	A110085		A110086



OBLONG FRAMES

Note: Frames marked "****" are for compact bridge machines. The brackets are offset to provide optimal centering of the sewing area.

Hoop Size	Clip	Space	Complete Assembly	Left bracket	Hoop Only	Right Bracket
OBLONG 300X290	QS	380	ZFR92300290A38A	FR605200	FR92300290A	FR605190
		450	ZFR92300290A45A	FR605610		FR605620
		520	ZFR92300290A52A	FR605260		FR605250
	EFP	380	ZEFP92300290A38A	A100241		A100242
		520	ZEFP92300290A52A	A200112		A200113

OBLONG 300X430	QS				FR92300430A	
		520	ZFR92300430A52A	FR605200		FR605190
	EFP					
		520	ZAFP92300430A52A	A100241		A100242

The following optional frames will not work with Arm-type machines:

OBLONG 460 x 304 (bridge only)	QS	380	ZFR92460304A38A ZFR92460304A38S **	FR605100 FR605480 ***	FR92460304A	FR605090 FR605470 ***
		520	ZFR92460304A52A ZFR92460304A52S **	FR605160 FR605520 ***		FR605150 FR605510 ***
	EFP	380				
		520				

OBLONG 460x434 (bridge only)	QS				FR92460434A	
		520	ZFR92460434A52A ZFR92460434A52S **	FR605100 FR605480 ***		FR605090 FR605470 ***
	EFP					
		520	ZAFP92460434A52A	A100536		A100537

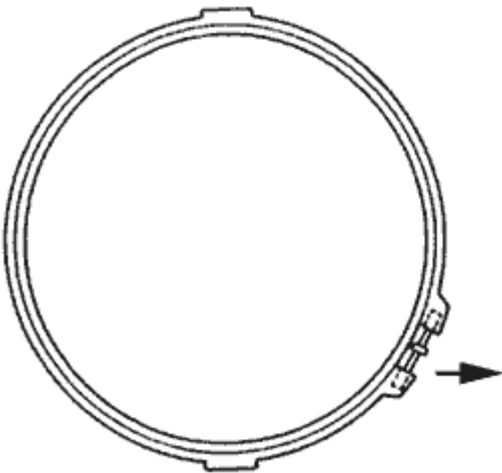

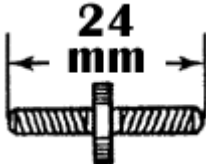


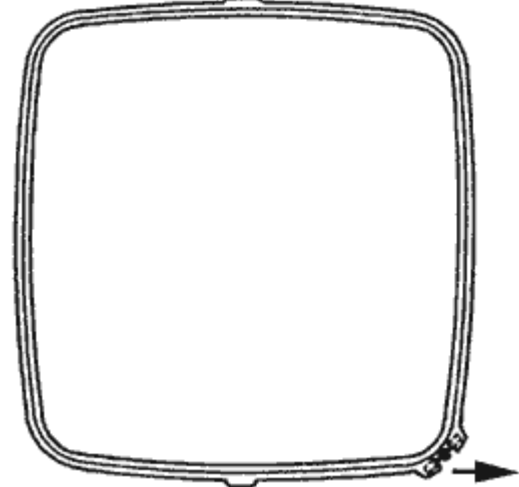

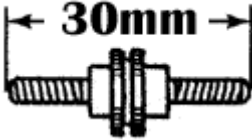

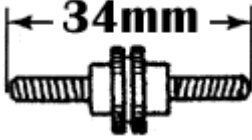

OBLONG 330 x 278 (bridge only)	QS				FR92330278A	
		520	ZFR92330278A52A	FR605160		FR605150
	EFP					
		520				

OBLONG 330 x 338 (bridge only)	QS				FR92330338A	
		520	ZFR92330338A52A	FR605120		FR605110
	EFP					
		520				

OBLONG 330 x 438 (bridge only)	QS				FR92330438A	
		520	ZFR92330438A52A	FR605100		FR605090
	EFP					
		520				

OBLONG 460 x 354 (bridge only)	QS	450	ZFR92460354A45A	FR605590	FR92460354A	FR605600
		520	ZFR92460354A52A ZFR92460354A52S***	FR605120 FR605500 ***		FR605110 FR605490 ***
	EFP					
		520				

FRAME PARTS: THUMBSCREWS AND INSERTS

Frame Type	Insert	Adjusting Screw	Insert
	Single type		
	 FR600241 Left side	 24 mm FR600190	 FR600242 Right side
		 30 mm FR600230	
	Double type		
	 FR600241 Left side	 30mm FR600240	 FR600242 Right side
		 34mm FR600260	
		 38mm FR605770	