

# Barudan

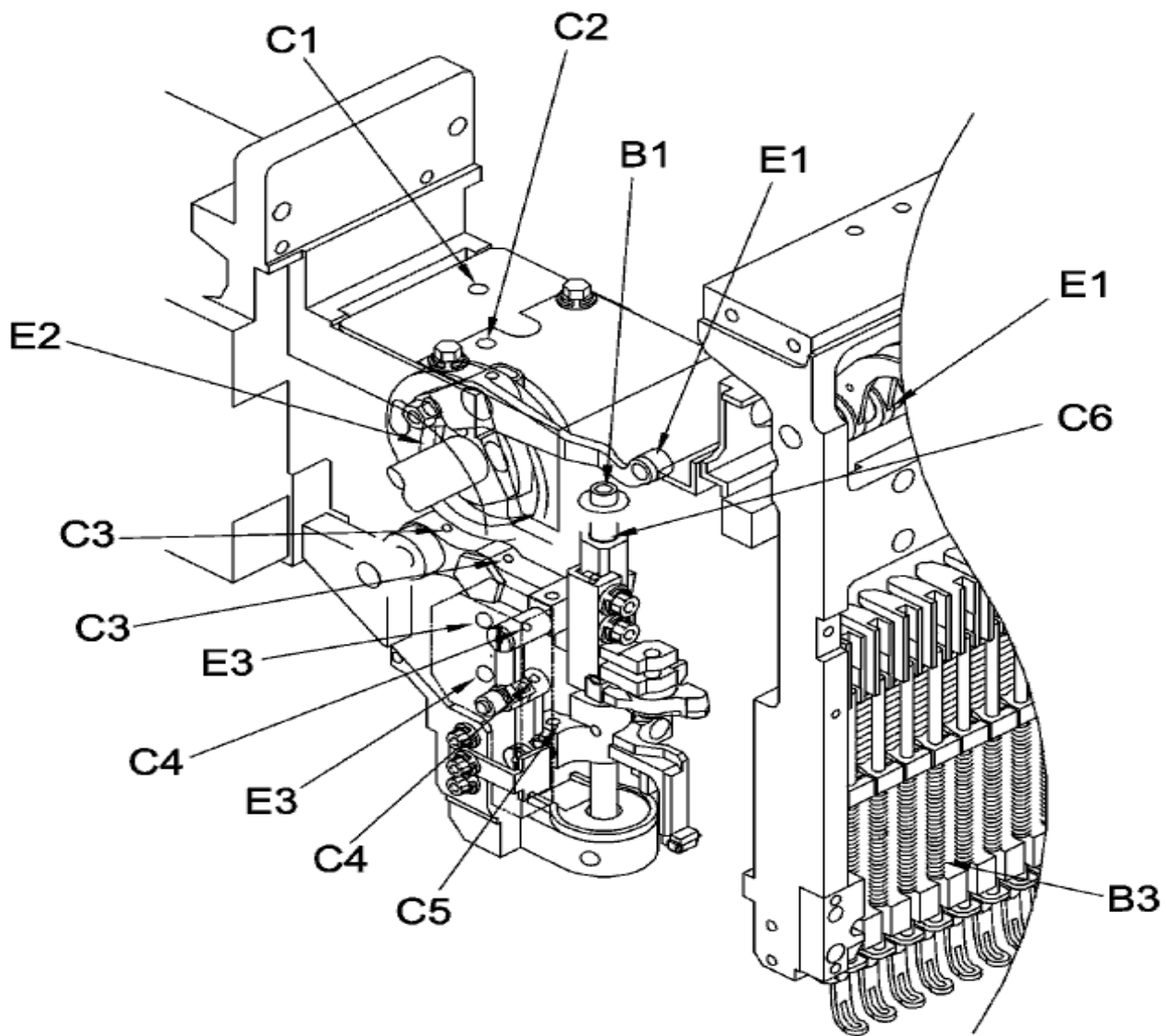
## Knowledge Base > Installation and Maintenance > Oiling and Lubrication Chart for Elite Jr. Machine

The information in this article applies to Barudan "Elite Jr" single head embroidery machine.

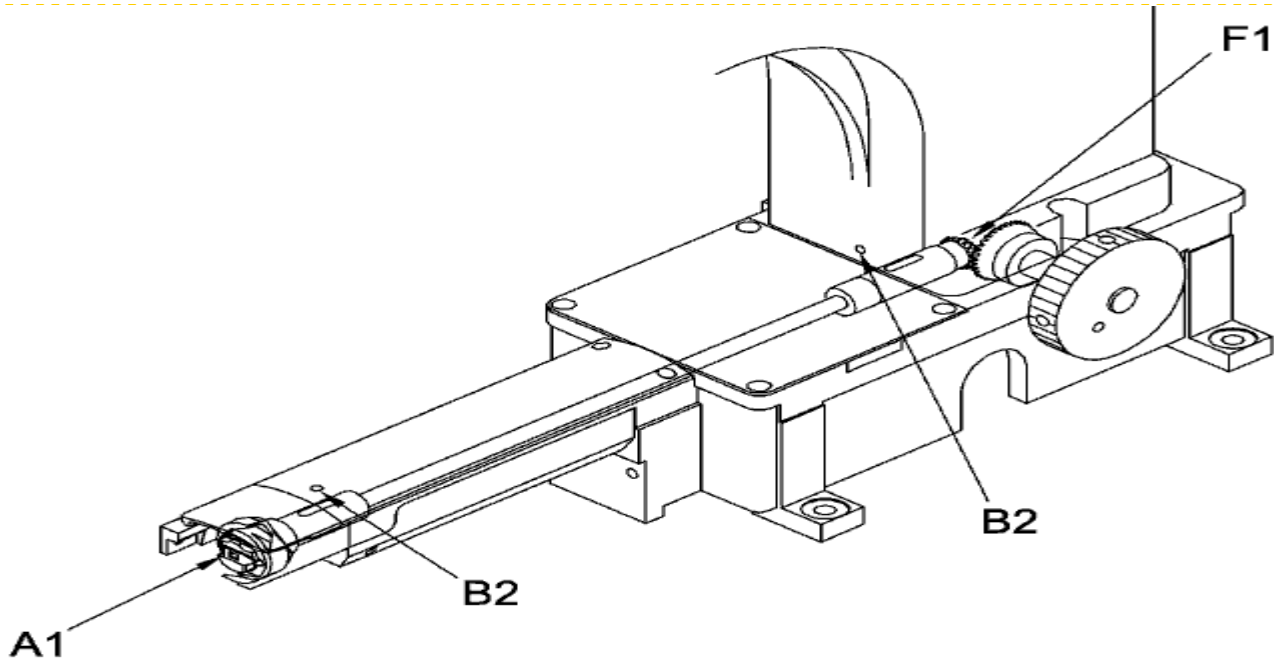
### SUMMARY

This document shows the locations and service intervals for lubricating the "Elite Jr" machine.

### VIEW OF UPPER HEAD



## VIEW OF LOWER HEAD



### Elite Jr LUBRICATION CHART

PART ID	LUBRICANT	FREQUENCY
A1 Rotating Hook	Barudan machine oil or Clear (mineral) oil for sewing machinery	Every 4 to 6 hours
B1 Drive Shaft	Barudan machine oil or Clear (mineral) oil for sewing machinery *Wipe lightly with cotton swab saturated in oil.	Once a week
B2 Hook Shaft Bushings (2)		
B3 *Needle Bars		
C1 Needle Bar Crank Rod	Bearing oil	Once a week
C2 Take-up Drive Lever		
C3 Needle Bar Drive Lever		
C4 Needle Bar Drive Links (2)		
C5 Needle Bar Driving Block		
C6 Needle Bar Driving Shaft		
E1 Take-Up Lever	Lithium grease spray	Every 6 months
E2 Take-Up Lever Cam Groove		
E3 Presser Foot Cams (2)		
F1 Lower Connecting Gear	Wheel bearing grease (access by removing the left side head cover)	Every 6 months

