

Barudan

**PORTABLE TABLE TYPE
MONOGRAM MACHINE**

MODEL BEAT-IV-YS-T

PARTS LIST

BARUDAN CO., LTD.

ADDRESS 20-TSUKAGOSHI, JOSUIJI
ICHINOMIYA-CITY · AICHI-PREF ·
JAPAN

TEL. <0586>76-1137
TELEX 4573268 BARUNA J
CABLE BARUNA ICHINOMIYA



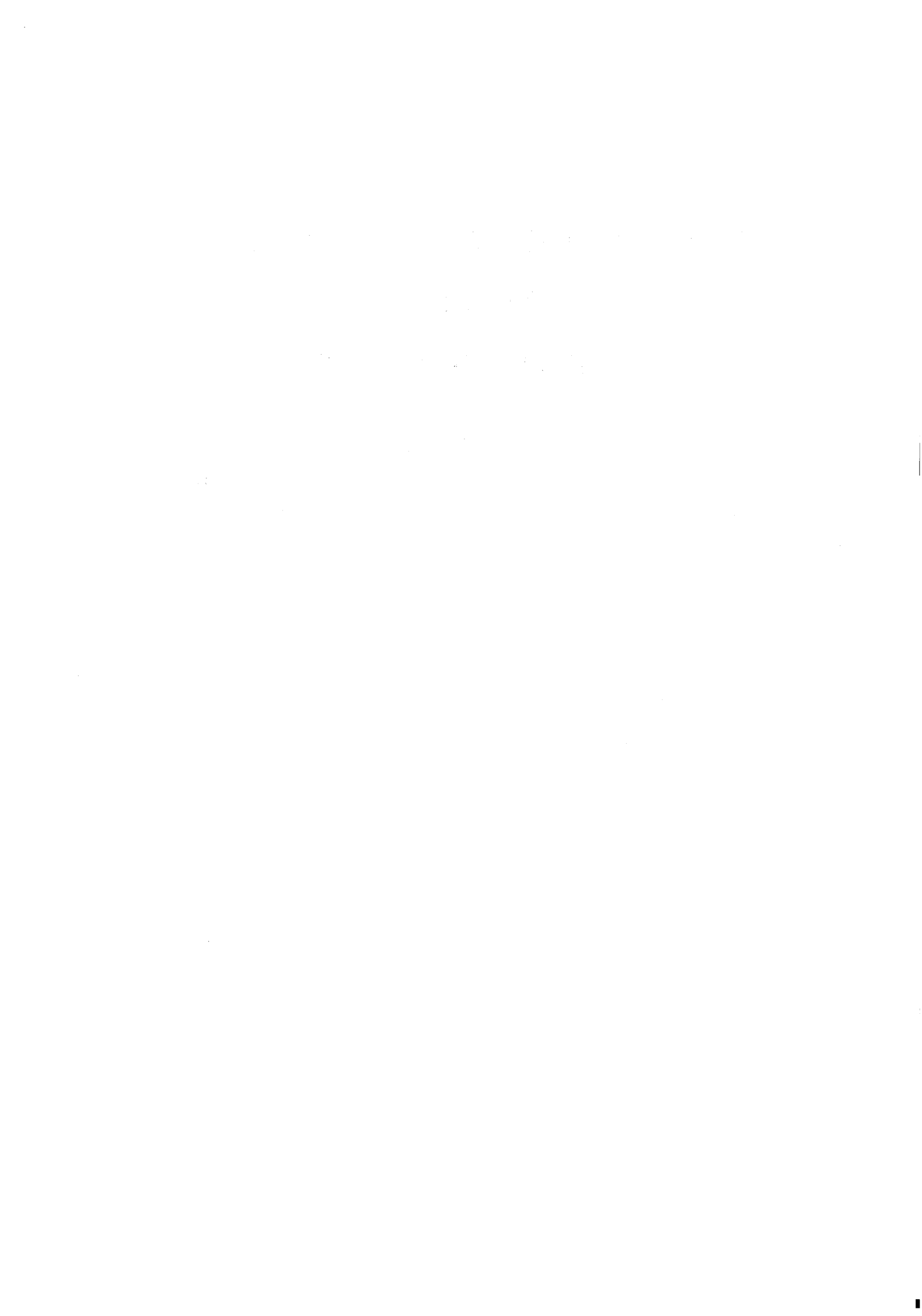
TABLE TYPE • SIMPLE STYLE MONOGRAM MACHINE

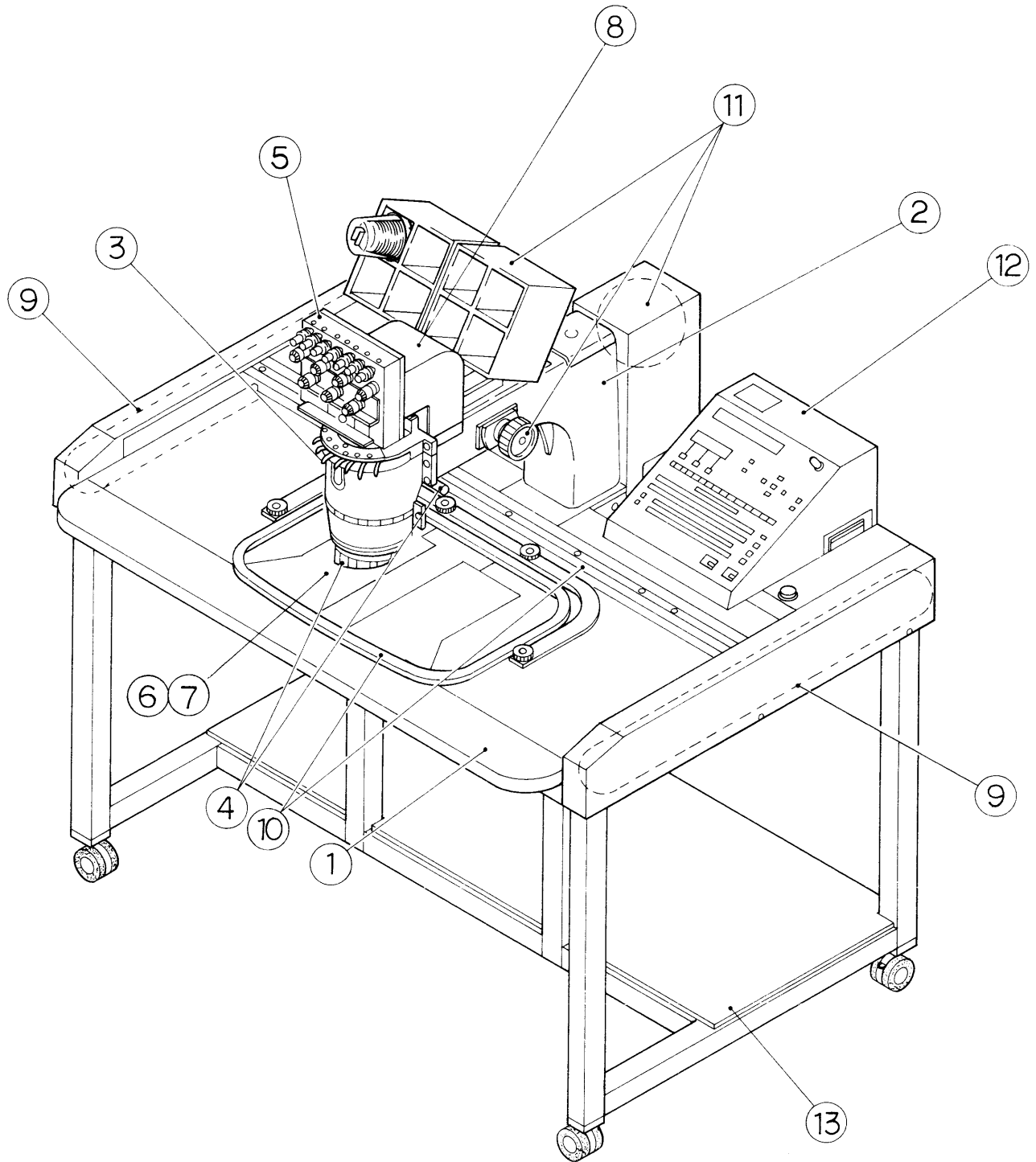
BEAT—IV—YS—T

PARTS LIST

CONTENTS

ITEM No.	ページNo.
Machine layout	1
① Frame • Table	2
② Sewing head	4
③ Take up lever mechanism	6
④ Needle bar • Jump mechanism	8
⑤ Thread guide mechanism	10
⑥ Thread cutting mechanism I	12
⑦ Thread cutting mechanism II	14
⑧ Color change mechanism	16
⑨ Pantograph drive mechanism (H-Direction)	18
⑩ Pantograph drive mechanism (V-Direction)	20
⑪ Drive mechanism and thread stand	22
⑫ Control system	24
⑬ Exclusive table (Option)	26
INDEX	28

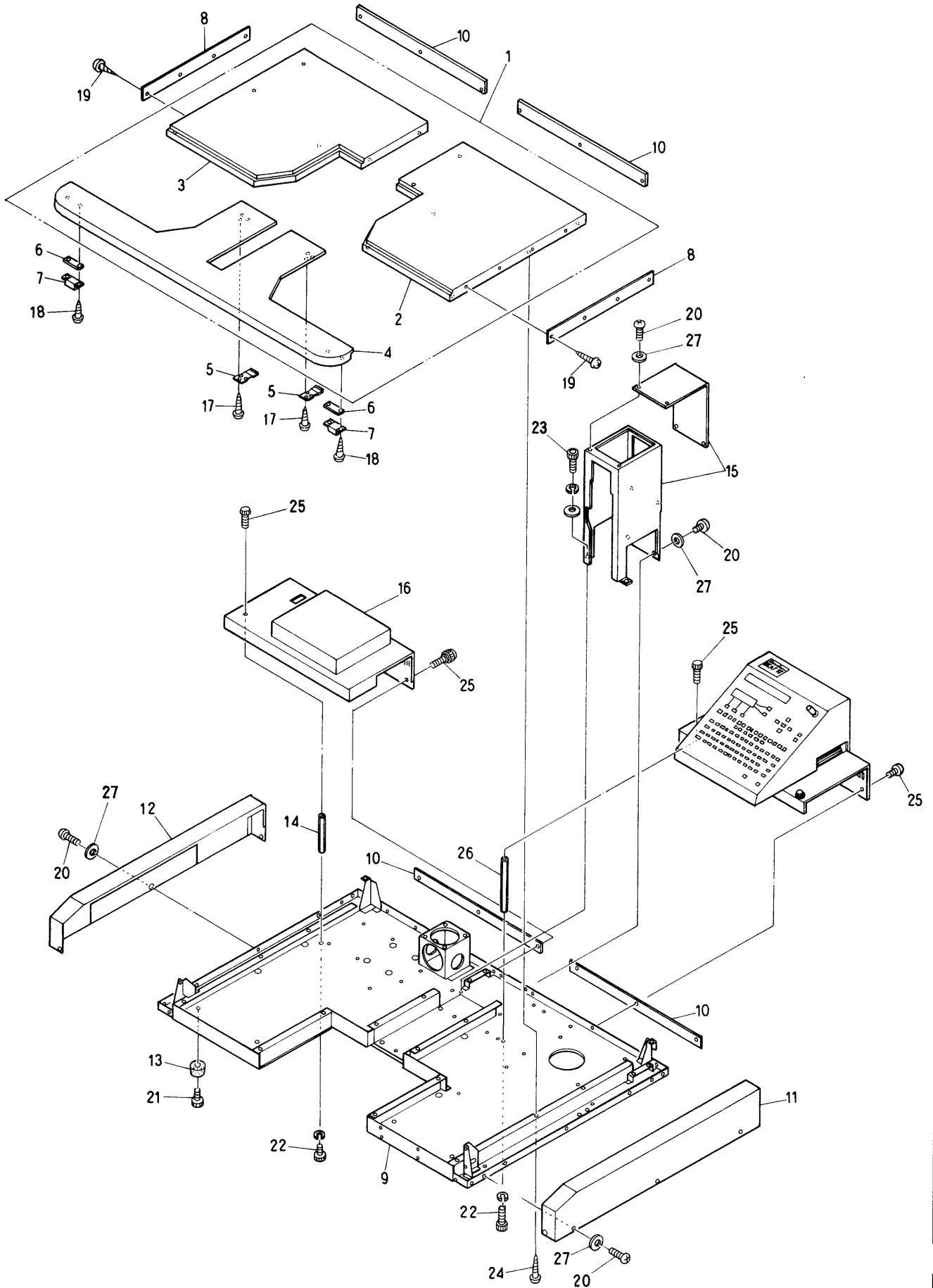




MODEL BEAT-IV-YS-T

Barudan

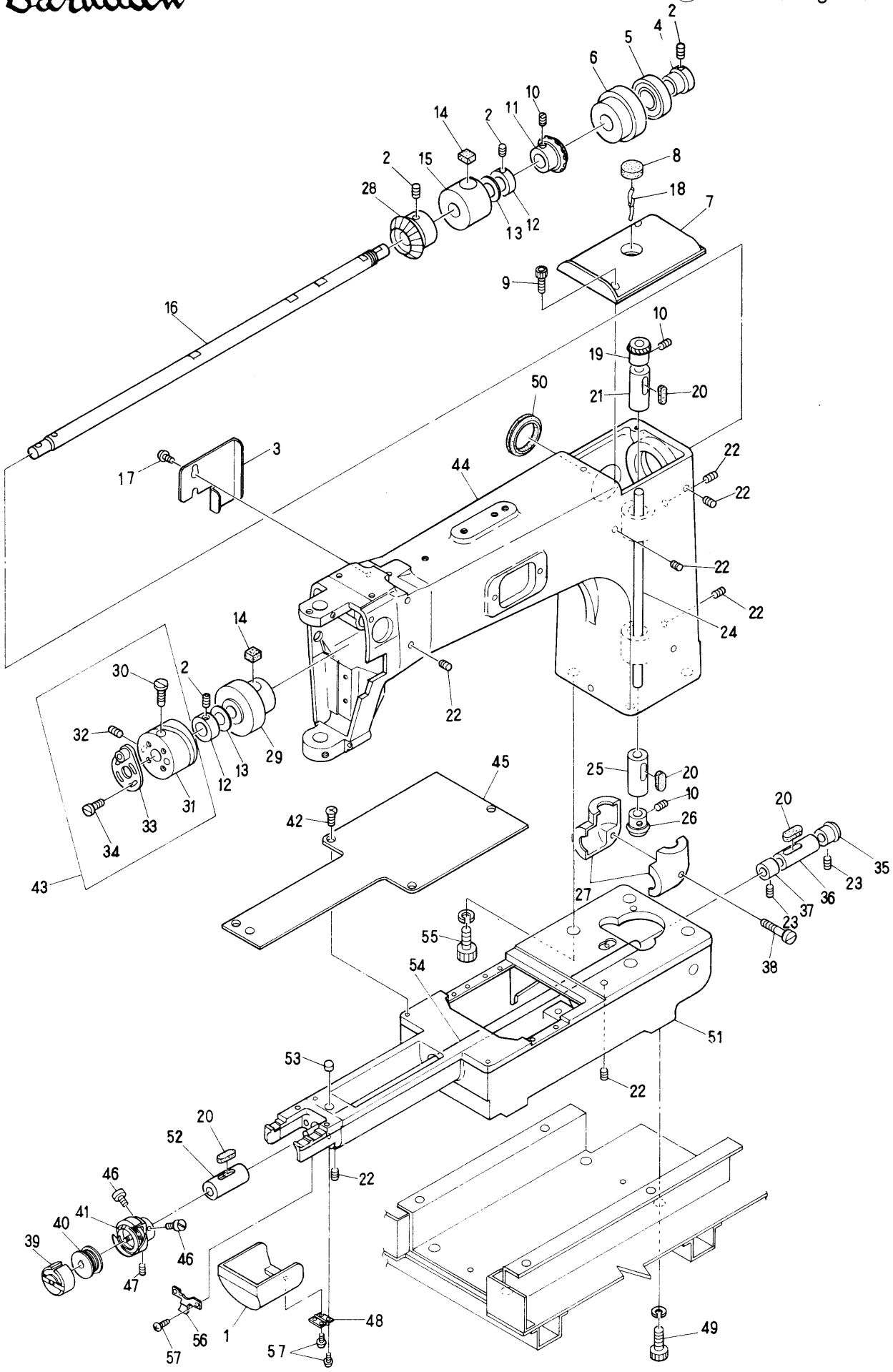
① Frame • Table



MODEL BEAT-IV-YS-T

Barudan

② Sewing head



MODEL BEAT-IV-YS-T

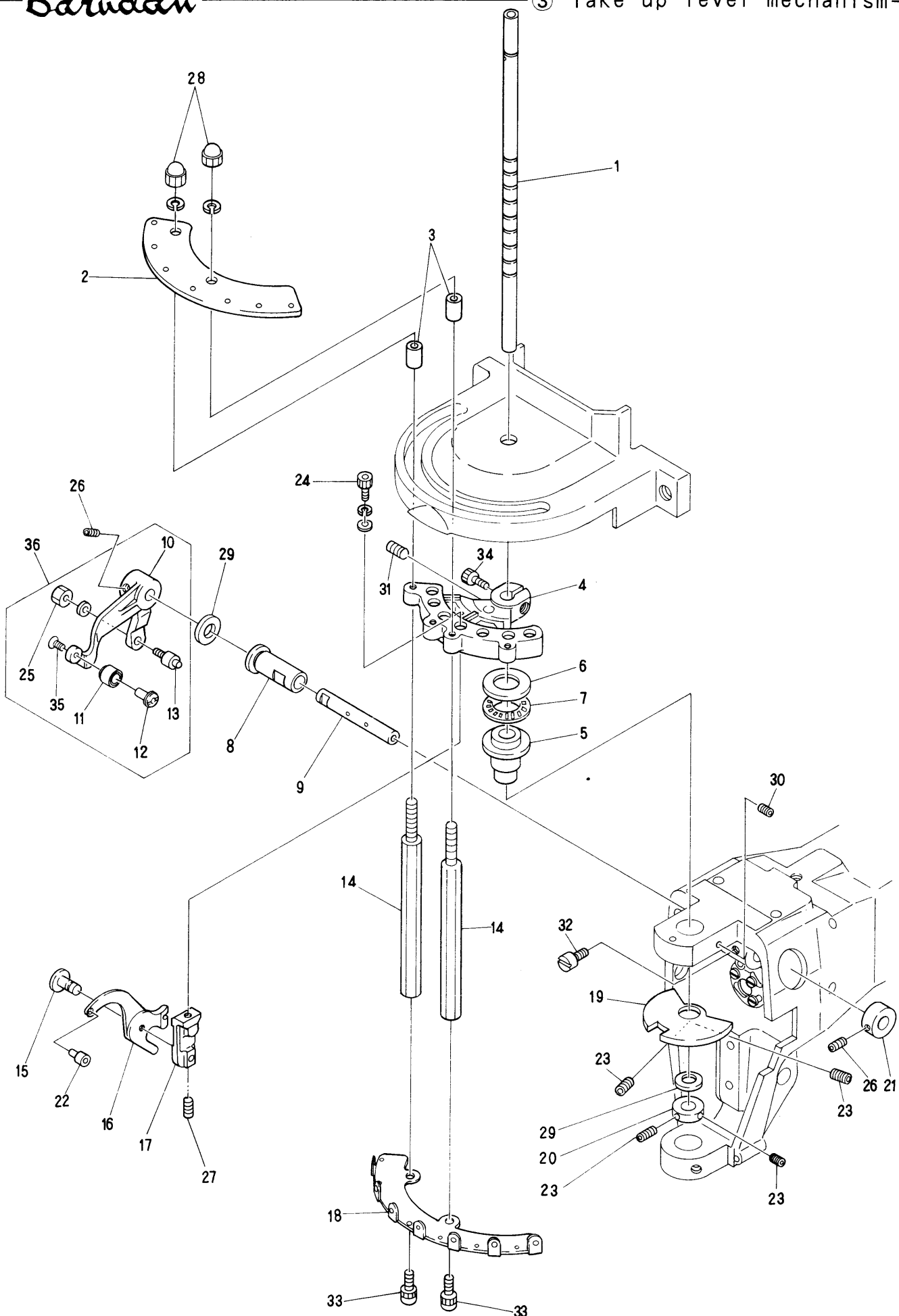
② Sewing head

ITEM	LIST No.	DESCRIPTION	Q'TY	REMARK
1	KC250471	Barrel bed cover	1	
2		Hex. socket set screw M6×6		
3	KL250051	Arm side cable cover	1	
4	KL220090	Arm shaft bearing collar	1	
5	A9010017	Bearing (6004ZZ)	1	
6	KL220040	Arm shaft bearing case	1	
7	MY294600	Arm top cover	1	
8	KL220150	Oil felt D	1	
9		Hex. socket bolt M4×10		
10		Screw (SM1/4 40×4)		
11	KF230130	Bevel gear (Top shaft)	1	
12	KL220080	Arm shaft collar	2	
13	HP231390	Thrust washer (Top shaft gear)	2	
14	KL220130	Oil felt B	2	
15	KL220030	Arm shaft metal (Middle)	1	
16	KL220000	Arm shaft	1	
17		Binding screw M4×8		
18	KC251330	Oil core L=75	1	
19	KF220460	Bevel gear (Vertical shaft upper)	1	
20	KL220140	Oil felt C	4	
21	KL220050	Arm shaft (upright) metal (Upper)	1	
22		Hex. socket set screw M6×8		
23		Screw (SM11/64 40×4)		
24	KL220010	Arm shaft (upright)	1	
25	KL220060	Arm shaft (upright) metal (Lower)	1	
26	KF220470	Bevel gear (Arm shaft (upright) lower)	1	
27	KF220271	Gear cover set	1	
28	MY294440	Handle gear No. 1	1	
29	KL220020	Arm shaft metal (Front)	1	
30	KF230420	Cam set screw	1	
31	KB230030	Take up lever cam K6	1	
32	A9012311	Screw (SM15/64 28×10) lock	1	
33	KB230050	90° Clamping	1	
34	A9012007	Screw	4	
35	KF220480	Bevel gear (Bottom shaft)	1	
36	KL220070	Rotating hook shaft metal (Rear)	1	
37	KF220290	Rotating hook shaft collar	1	
38		Screw M5×25		
39	KF220440	Bobbin case (SC35-NS)	1	
40	KF220410	Bobbin	1	
41	KF220780	Rotating hook complete HSL-A-M1Q (TS)	1	
42	KF250900	Needle plate set screw (SM11/64 40×7)	4	
43	KB230010	Take up lever cam K6 90° (with crank)	1	
44	MB295090	Arm (BEAT-IV-YS-T)	1	
45	KL250070	Cylinder bed cover	1	



Barudan

③ Take up lever mechanism

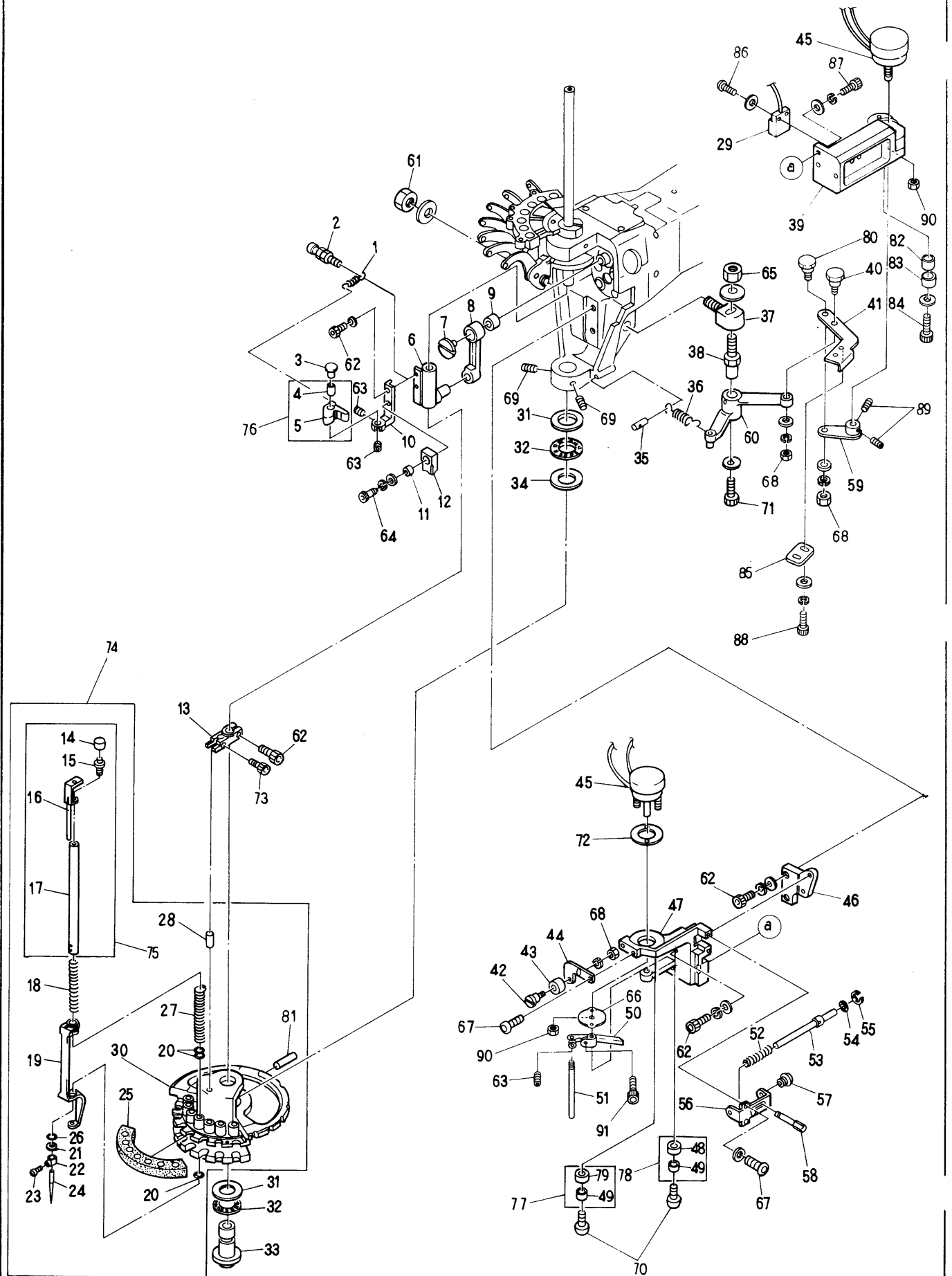


MODEL BEAT-IV-YS-T

③ Take up lever mechanism

(N=Needle Q'TY)

ITEM	LIST No.	DESCRIPTION	Q'TY	REMARK
1	KB230161	Driving shaft	1	
2	HB240180	Thread guide plate (7)	1	
	HB240290	Thread guide plate (5)	1	
3	KB240020	Thread fixing collar	2	
4	HB230290	Take up lever fixing bracket	1	
5	KB230090	Driver shaft upper metal	1	
6	A9011152	Thrust needle bearing innerring (WS1528)	1	
7	A9011021	Thrust bearing NTB-1528	1	
8	KB230100	Take up lever driving shaft metal	1	
9	KB230110	Take up lever driving shaft	1	
10	KB230120	Take up lever driving lever	1	
11	HB230320	Take up lever driving roller	1	
12	HB230331	Take up lever driving roller shaft	1	
13	KF230500	Take up lever roller a'ssy	1	
14	KB240010	Thread fixing rod	2	
15	HB230310	Take up lever shaft	1	
16	KB230150	Take up lever	N×1	
17	KB230140	Take up lever base	N×1	
18	HB240171	Thread hanger (7)	1	
	HB240280	Thread hanger (5)	1	
19	KB230130	Take up lever sttocker	1	
0	HB230160	Driving shaft set collar	1	
21	HB230270	Needle bar driving lever fixed pin set collar	1	
22	KF230580	Take up lever thread eyelet ceramic	N×1	
23	A9012300	Hex.socket set screw M4×4 (with adhesion)	4	
24		Hex.socket bolt M4×12		
25		Hex.nut SM7/32		
26	A9012301	Hex.socket set screw M5×6 (with adhesion)	2	
27	A9012303	Hex.socket set screw M3×5 (with adhesion)	N×1	
28		Cap nut M4		
29	A9012164	Thrust washer (R-TW0815)	2	
30		Hex.socket set screw M6×6		
31		Hex.socket set screw (C.P) M4×5		
32		Screw (SM11/64×11)		
33		Cap bolt M4×6		
34		Hex.socket bolt M4×15		
35	HB230650	Screw (with adhesive)	1	
36	KB230310	Take up lever driving lever a'ssy	1	



④ Needle bar • Jump mechanism

(N=Needle Q'ty)

ITEM	LIST No.	DESCRIPTION	Q'TY	REMARK
1	HB 2 3 0 4 0 1	Needle bar driver return spring	1	
2	HB 2 3 0 5 9 0	Return spring fixing screw	1	
3	HB 2 3 0 3 9 0	Needle bar driver fixing pin	1	
4	A 9 0 1 2 1 9 0	DU Bush (MB0606DU)	1	
5	HB 2 3 0 3 8 1	Needle bar driver	1	
6	KB 2 3 0 0 8 0	Needle bar driver guide block	1	
7	KB 2 3 0 0 7 0	90° Crank left handed screw	1	
8	KB 2 3 0 0 6 0	Crank rod	1	
9	A 9 0 1 1 1 1 5	Needle bearing (K9×12×10T2)	1	
10	HB 2 3 0 3 7 1	Needle bar driver fixing base	1	
11	HB 2 3 0 4 2 0	Needle bar driver stopper set collar	1	
12	HB 2 3 0 4 1 4	Needle bar driver stopper	1	
13	HB 2 3 0 1 7 0	Driving shaft fixed plate	1	
14	KN 2 3 1 3 5 0	Needle bar cap	N×1	
15	HB 2 3 0 5 3 1	Needle bar guide fitting screw	N×1	
16	HB 2 3 0 5 2 1	Needle bar guide	N×1	
17	HB 2 3 0 5 1 1	Needle bar	N×1	
18	HB 2 3 0 5 4 0	Needle bar spring (Upper)	N×1	
19	KG 2 3 0 0 2 0	Pressure foot	N×1	
20	KF 2 3 0 9 1 0	O-Ring (S)	N×3	
21	KF 2 3 0 9 3 0	Spacer	N×1	
22	KF 2 3 0 2 3 0	Needle clamp	N×1	
23	KF 2 3 0 2 4 0	Needle clamp screw (SM9/64 40)	N×1	
24	KF 2 3 0 2 5 0	Needle (DBK5-11)	N×1	
25	KL 2 3 0 1 1 0	Turret plate oil pad	1	
26	KF 2 3 0 9 2 0	O-Ring (L)	N×1	
27	KF 2 3 0 2 1 0	Pressure foot spring	N×1	
28	A 9 0 1 2 2 9 1	Parallel pin $\phi 5 \times 14 \ell$	1	
29	A 9 0 5 1 0 3 3	Proximity switch ME-601 NOP-F2	1	
30	MB 2 9 5 3 3 0	Turret plate US (BEAT-IV-YS-T)	1	
	MB 2 9 5 3 4 0	Turret plate UF (BEAT-IV-YS-T)	1	
31	A 9 0 1 1 0 2 3	Thrust bearing outer (GS1528)	2	
32	A 9 0 1 1 0 2 1	Thrust bearing (NTB-1528)	2	
33	HB 2 3 0 1 4 0	Driver shaft under metal	1	
34	A 9 0 1 1 0 2 2	Thrust washer (AS-1528)	1	
35	KF 2 3 0 6 7 0	Lock lever spring pin	1	
36	KF 2 3 0 6 6 1	Lock lever spring	1	
37	KF 2 3 0 6 5 0	Lock lever bracket	1	
38	KF 2 3 0 6 3 0	Lock lever shaft	1	
39	MB 2 9 5 3 0 0	Lock solenoid bracket	1	
40	MB 2 9 5 2 9 0	Lever set pin	1	
41	MB 2 9 5 3 2 1	Lock detection plate	1	
42	HB 2 3 0 4 6 0	Needle bar stopper fixixed pin	1	
43	HB 2 3 0 4 7 0	Needle bar stopper	1	
44	KB 2 3 0 1 7 0	Needle bar stopper bracket	1	

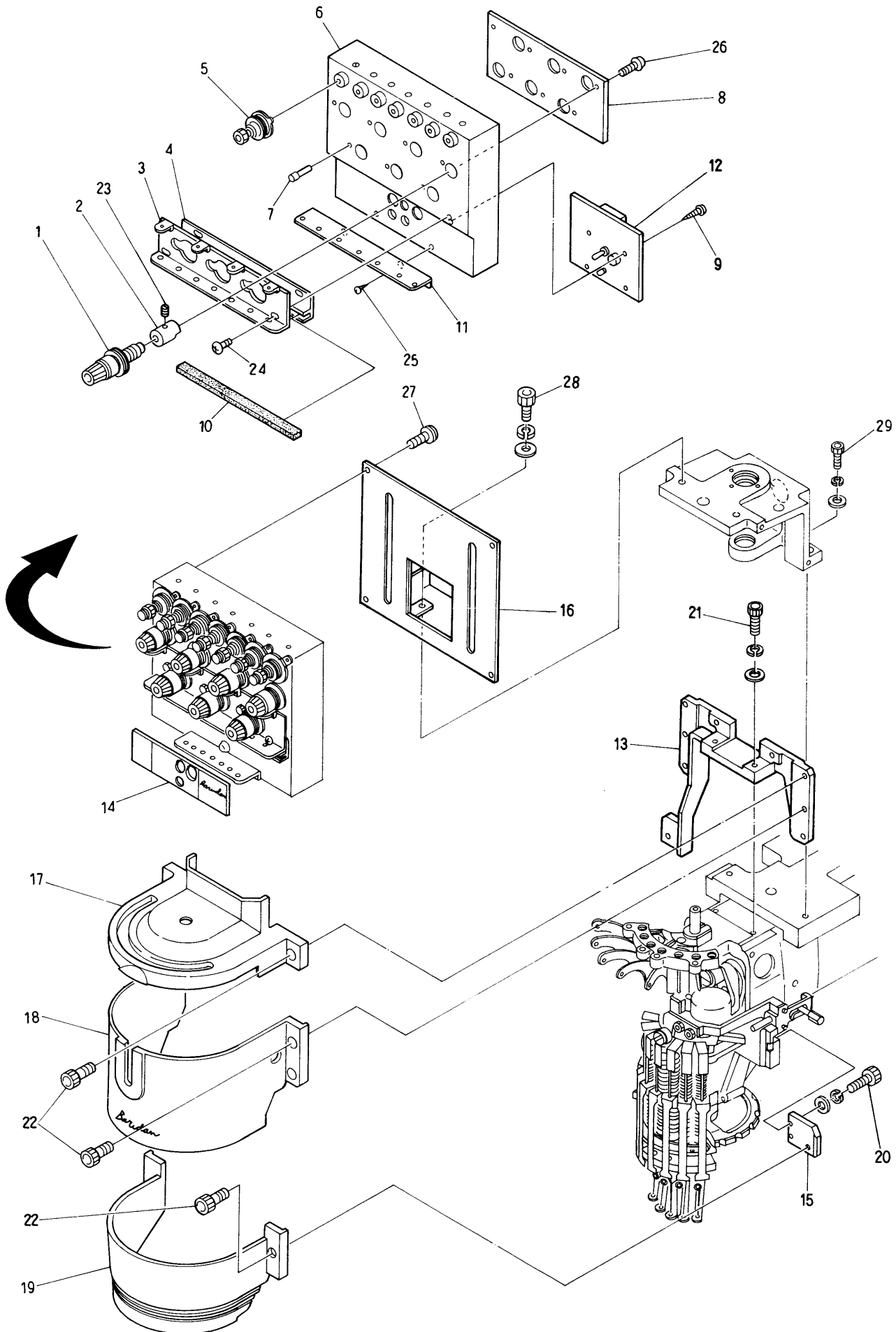


④ Needle bar • Jump mechanism

ITEM	LIST No.	DESCRIPTION	Q'TY	REMARK
45	A9056020	Rotary solenoid (3ER-35-3×8×9) L=45	2	
46	KB210170	Solenoid bracket fixing base	1	
47	KB240030	Jump solenoid fixing bracket	1	
48	HB240050	Eccentric collar (φ11)	1	
49	HB240040	Eccentric stopper	2	
50	HB240020	Jump solenoid lever	1	
51	HB240030	Jump solenoid lever pin	1	
52	HB240110	Cancel return spring	1	
53	HB240070	Cancel rod	1	
54	A9014051	O-Ring P-5	1	
55	A9012051	E-Ring φ6	1	
56	KB240040	Cancel bracket	1	
57	HB240090	Cancel rod guide	1	
58	HB240080	Manual cancel pin	1	
59	MB295310	Lock solenoid lever	1	
60	KL230180	Lock lever	1	
61		Hex.nut M10		
62		Hex.socket bolt M4×12		
63		Hex.socket set screw M4×4 (with adhesion)	3	
64		Hex.socket bolt M4×15		
65		Hex.nut M8		
66	HB230580	Solenoid prevention noise cover	1	
67		Hex.socket button bolt M4×10		
68		Hex.nut M4		
69	A9012053	Hex.socket set screw M6×0.75×8	2	
70	A9012310	Hex.socket button bolt M4×12 (with adhesion)	2	
71		Hex.socket bolt M5×10		
72	HB230560	Sheet for rotary solenoid	1	
73	A9012309	Hex.socket bolt M3×12 (with adhesion)	1	
74	MB295400	Turret plate a'ssy (YS)	1	
	MB295410	Turret plate a'ssy (YF)	1	
75	HB230500	Needle bar a'ssy	1	
76	HB230570	Needle bar driver a'ssy	1	
77	HB240340	Eccentric stopper a'ssy (φ12)	1	
78	HB240330	Eccentric stopper a'ssy (φ11)	1	
79	HB240310	Eccentric collar (φ12)		
80	KL270130	Lever connecting pin	1	
81	MB295380	Parallel pin φ3 H7, L=14	1	
82	KN271651	Stopper eccentric	1	
83	KN271661	Eccentric cover	1	
84		Hex.socket bolt M4×25		
85	MB295430	Sensor dog	1	
86		Truss screw M3×12		
87		Hex.socket bolt M4×20		
88		Hex.socket bolt M3×5		

Barudan

⑤ Thread guide mechanism



MODEL BEAT-IV-YS-T

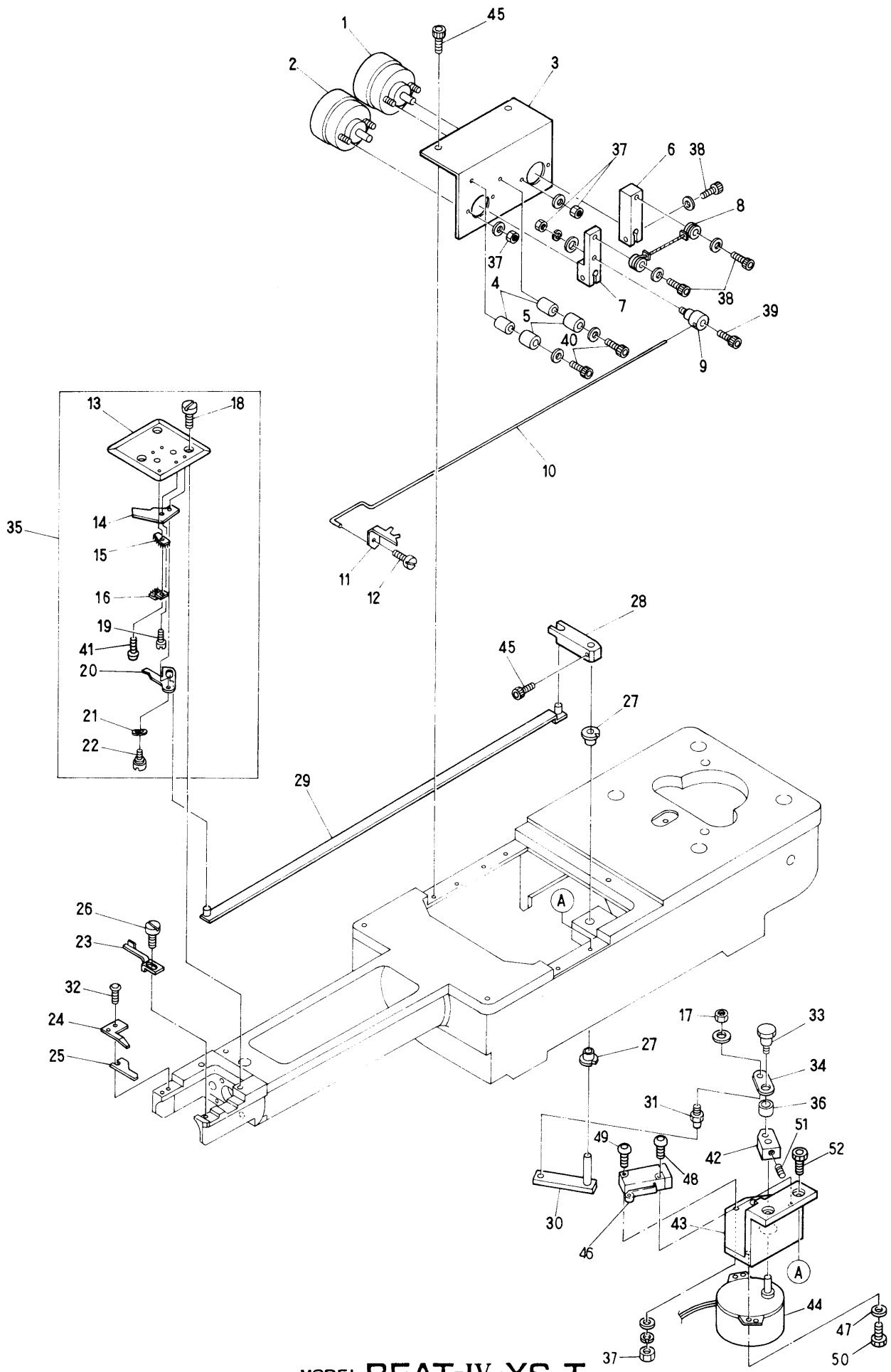
⑤ Thread guide mechanism

(N=Needle Qty)

ITEM	LIST No.	DESCRIPTION	QTY	REMARK
1	HP 2 4 1 4 1 0	Dial type tension unit complete	N×1	
2	HP 2 4 1 1 5 0	Tension base (With screw)	N×1	
3	HP 2 4 1 1 8 0	First thread guide (7)	1	
	HP 2 4 1 1 7 0	First thread guide (5)	1	
4	HP 2 4 1 4 6 0	Thread guide felt fixing plate (7)	1	
	HP 2 4 1 4 5 0	Thread guide felt fixing plate (5)	1	
5	HP 2 4 1 4 4 0	Upper tension unit complete	N×1	
6	HP 2 4 1 1 2 2	Tension base (7)	1	HP241160 HP241150
	HP 2 4 1 1 1 2	Tension base (5)	1	HP241160 HP241150
7	HP 2 4 1 1 6 0	Upper thread detection pin	N×1	
8	HP 2 4 1 3 8 1	Tension earth plate (7)	1	
	HP 2 4 1 3 7 1	Tension earth plate (5)	1	
9		Pan screw 2×8		
1 0	HP 2 4 1 4 8 0	Thread guide felt (7)	1	
	HP 2 4 1 4 7 0	Thread guide felt (5)	1	
1 1	HB 2 4 0 2 6 0	Second thread guide plate (7)	1	
	HB 2 4 0 2 7 0	Second thread guide plate (5)	1	
1 2	EBN 0 1 6 0 0	108800004 Head board for thread cutting AT-IV	1	
1 3	MB 2 9 5 1 1 0	Sewing head cover fixing bracket (BEAT-IV-YS-T)	1	
1 4	KU 2 4 1 4 0 0	Tension base label	1	
1 5	KB 2 5 0 0 6 0	Sewing head cover fixing stay	1	
1 6	MB 2 9 5 2 2 0	Tension base (7)	1	
	MB 2 9 5 3 9 0	Tension base (5)	1	
1 7	KB 2 5 0 0 2 0	Sewing head cover A	1	
1 8	KB 2 5 0 0 3 0	Sewing head cover B	1	
1 9	KB 2 5 0 0 4 0	Sewing head cover C	1	
2 0		Hex, socket bolt M4×15		
2 1		Hex, Socket bolt M5×20		
2 2		Hex, Socket bolt M4×6		
2 3		Set screw (SM11/64 40×5.5)		
2 4		Truss screw M4×6		
2 5		Tapping screw M3.5×8		
2 6		Pan screw M3×4		
2 7		Pan screw with washer M4×8		
2 8		Hex, socket bolt M5×10		
2 9		Hex, socket bolt M6×25		

Barudan

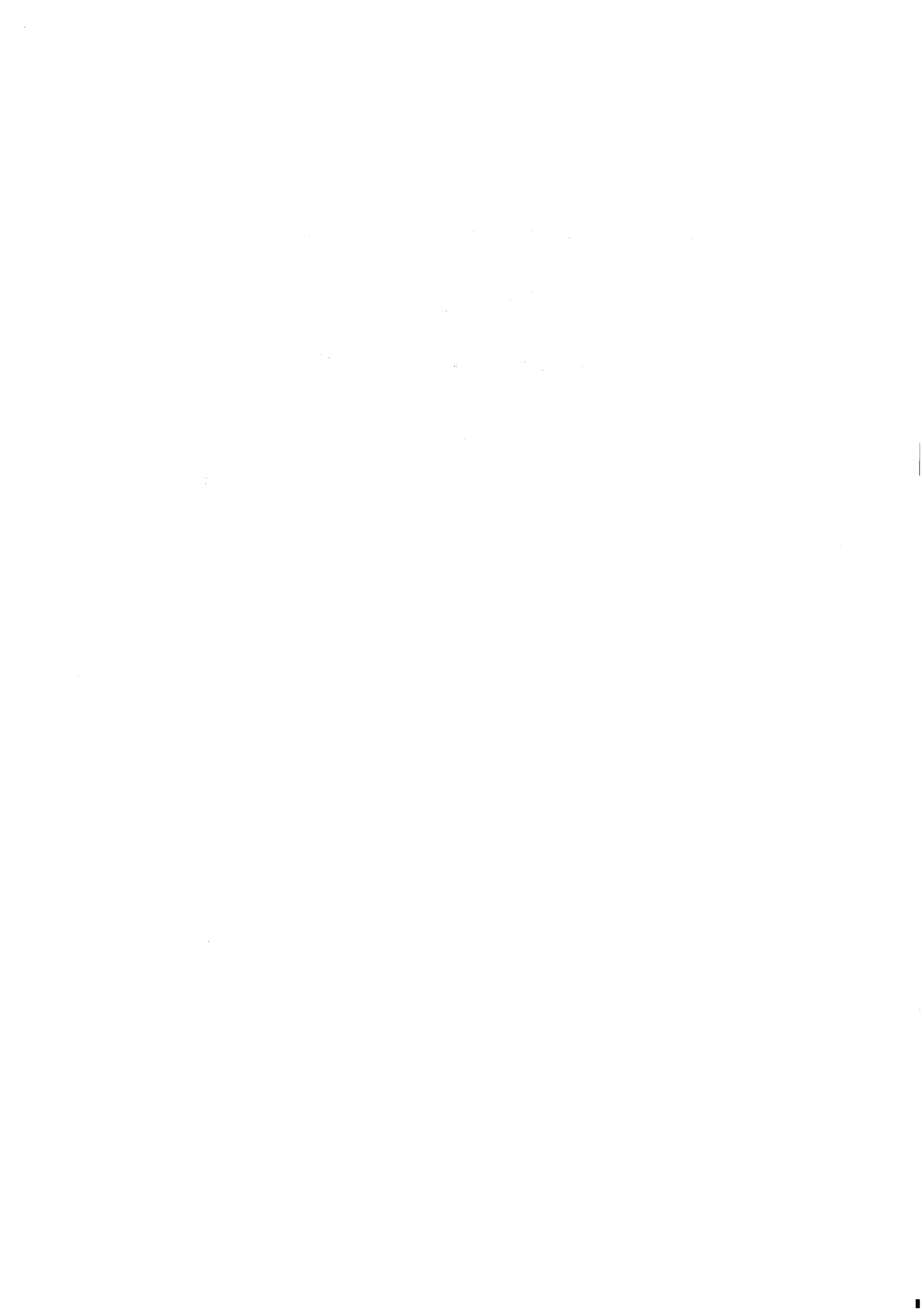
⑥ Thread cutting mechanism I

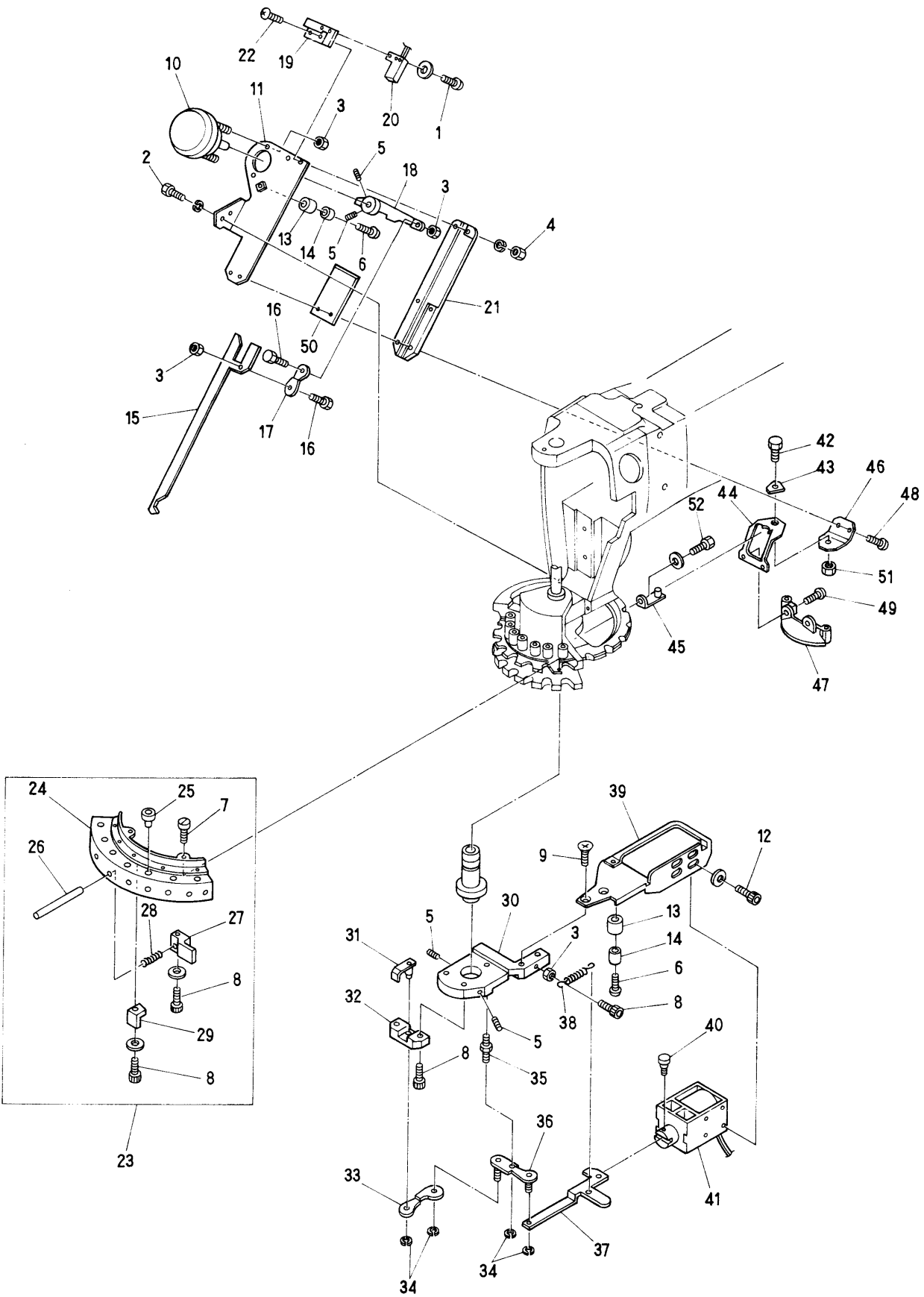


MODEL BEAT-IV-YS-T

⑥ Thread cutting mechanism I

ITEM	LIST No	DESCRIPTION	Q'TY	REMARK
1	A 9 0 5 6 0 1 2	Rotary solenoid (3EL25 33×3×8×9)	1	
2	A 9 0 5 6 0 0 8	Rotary solenoid (3ER25 33×3×8×9)	1	
3	KC 2 7 1 9 6 0	Solenoid stay	1	
4	KN 2 7 1 6 5 1	Stopper eccentric	2	
5	KN 2 7 1 6 6 1	Eccentric cover	2	
6	KC 2 7 1 9 5 0	Solenoid lever B	1	
7	KC 2 7 1 9 4 0	Solenoid lever A	1	
8	KL 2 7 0 3 6 0	Drive rope	1	
9	KC 2 7 1 0 4 1	Conecting clamp	1	
1 0	KC 2 7 1 0 3 1	Hook drive rod	1	
1 1	KC 2 7 1 0 2 1	Hook	1	
1 2	KC 2 7 1 0 0 0	Upper thread cutter turning shaft	1	
1 3	KL 2 7 0 3 8 0	Needle plate	1	
1 4	KC 2 7 0 9 6 0	Fixed cutter	1	
1 5	KC 2 7 1 2 2 0	Lower thread support stay (Upper) CMP	1	
1 6	KN 2 7 1 1 9 0	Lower thread support stay (Lower) CMP	1	
1 7		Hex. nut M4		
1 8	KF 2 5 0 9 0 0	Needle plate set screw (SM11/64 40×7)	2	
1 9	KC 2 7 0 9 8 0	Fixed cutter set screw	1	
2 0	KC 2 7 0 9 5 0	Lower thread cutter	1	
2 1	A 9 0 1 3 0 4 5	Wave washer (WW5)	1	
2 2	KC 2 7 0 9 7 0	Lower thread cutter turret shaft	1	
2 3	KC 2 2 0 6 4 1	Bobbin case fixing plate	1	
2 4	KN 2 7 1 6 1 0	Cutter fixing plate	1	
2 5	KN 2 7 1 6 0 2	Upper thread cutter	1	
2 6	A 9 0 1 2 0 0 7	Screw	1	
2 7	A 9 0 1 2 1 1 4	DU Bush (MB0505-10FDU)	2	
2 8	KC 2 7 1 1 2 0	Lower thread cutter drive lever (Upper)	1	
2 9	KC 2 7 1 0 7 0	Lower thread cutter drive rod	1	
3 0	MB 2 9 5 2 8 0	Lower thread cutter drive lever	1	
3 1	MB 2 7 5 2 5 0	Lever pin	1	
3 2		Hex. socket botton bolt M3×6		
3 3	MB 2 9 5 2 9 0	Lever set pin	1	
3 4	MB 2 9 5 2 7 0	Lever connecting plate	1	
3 5	KL 2 7 0 3 9 0	Needle plate a'ssy	1	
3 6	MB 2 9 5 2 6 0	Motor lever collar	1	
3 7		Hex. nut M3		
3 8		Hex. socket bolt M4×10		
3 9		Hex. socket bolt M3×5		
4 0		Hex. socket bolt M4×18		
4 1		Pan screw M3×3		
4 2	MB 2 9 5 2 4 1	Motor lever	1	
4 3	MB 2 9 5 2 3 0	Lower thread cutter motor bracket	1	
4 4	A 9 0 6 5 0 3 3	Synchro motor D-12 (CCW, 15RPM, 100V)	1	
4 5		Hex. socket bolt M4×8		



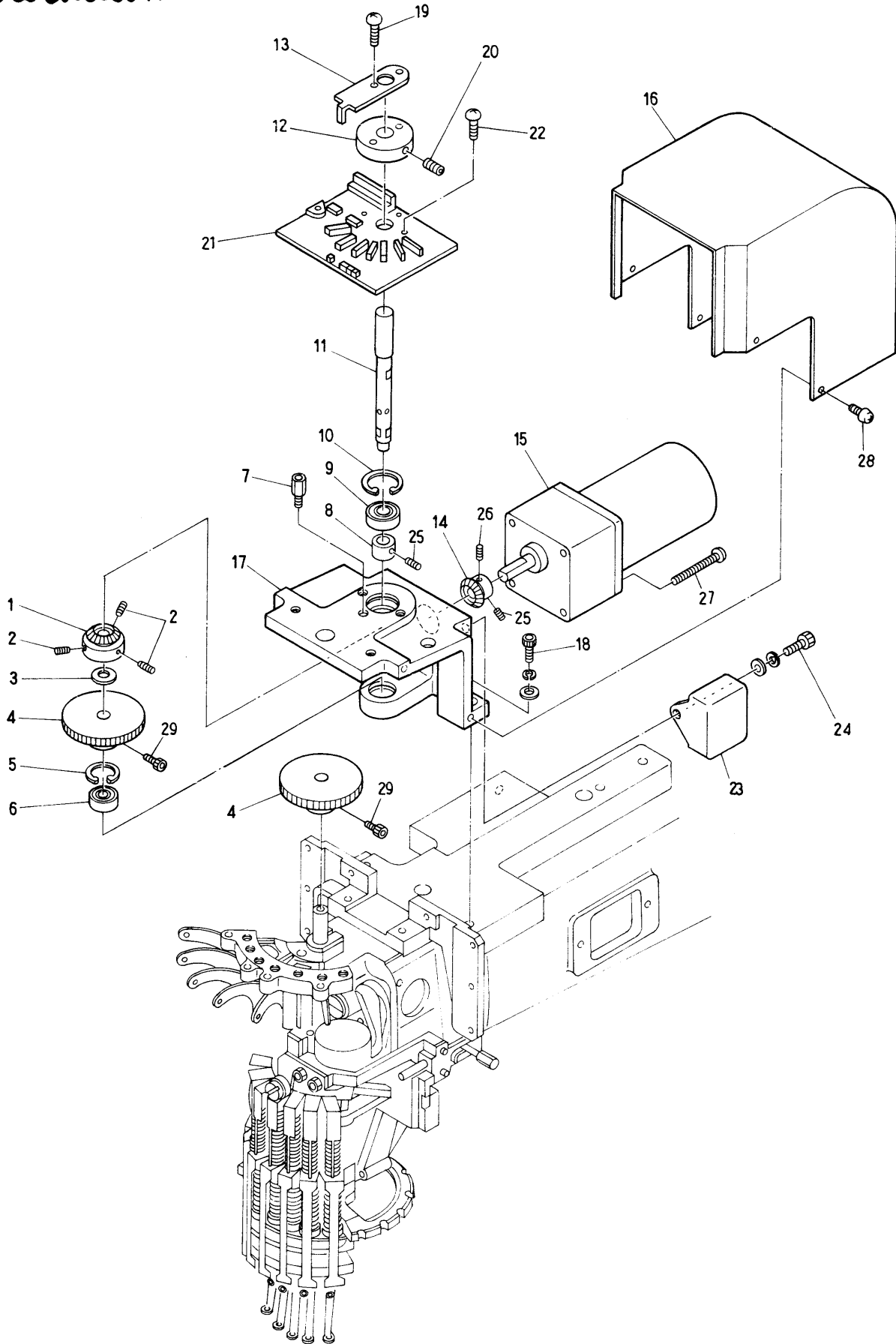


⑦ Thread cutting mechanism II

(N=Needle Qty)

ITEM	LIST No	DESCRIPTION	QTY	REMARK
1		Truss screw M3×6		
2		Hex. socket bolt M4×12		
3		Hex. nut M4		
4		Hex. nut M3		
5		Hex. socket set screw M4×8		
6		Truss screw M4×16		
7		Set screw (SM9/64×40×10)		
8		Hex. socket bolt M4×10		
9		Pan screw M4×8		
10	A9056018	Rotary solenoid (4ER67.5-34×8×9 orange)	1	
11	KL270081	Thread away base	1	
12		Hex. socket bolt M3×6		
13	KL270150	Eccentric cover	2	
14	KL270140	Stopper eccentric	2	
15	KL270101	Thread away hook	1	
16	KL270130	Lever connecting pin	2	
17	KL270120	Connecting plate	1	
18	KL270110	Thread away solenoid lever	1	
19	KL270260	Switch stay	1	
20	A9052028	Limit switch (RS-603)	1	
21	KL270091	Thread away hook guide	1	
22		Truss screw M3×10		
23	KC270761	Thread support apron UF a'ssy (5)	1	
	KG270760	Thread support apron US a'ssy (7)	1	
24	KC270283	Thread support apron (5)	1	
	KG270282	Thread support apron (7)	1	
25	KF230580	Take up lever ceramic	N×1	
26	KG270310	Thread support pin	N×1	
27	KC270301	Thread support clamp	N×1	
28	KC270271	Support spring	N×1	
29	KC270292	Thread support block	N×1	
30	KL270000	Fixing base	1	
31	KL270020	Thread support slider	1	
32	KL270010	Slide base	1	
33	KL270030	Driving plate	1	
34	A9012056	E-Ring φ3	4	
35	KL270040	Lever turret pin	1	
36	KL270050	Solenoid lever	1	
37	KL270060	Lever connecting plate	1	
38	KL270520	Return spring	1	
39	KL270070	Solenoid stay	1	
40	KC270101	Solenoid pin	1	
41	A9056013	Keep solenoid (TDS-K10SL)	1	
42	KL270410	Thread hanger plate rotary shaft	1	
43	A9013045	Wave washer (WW-5)	1	



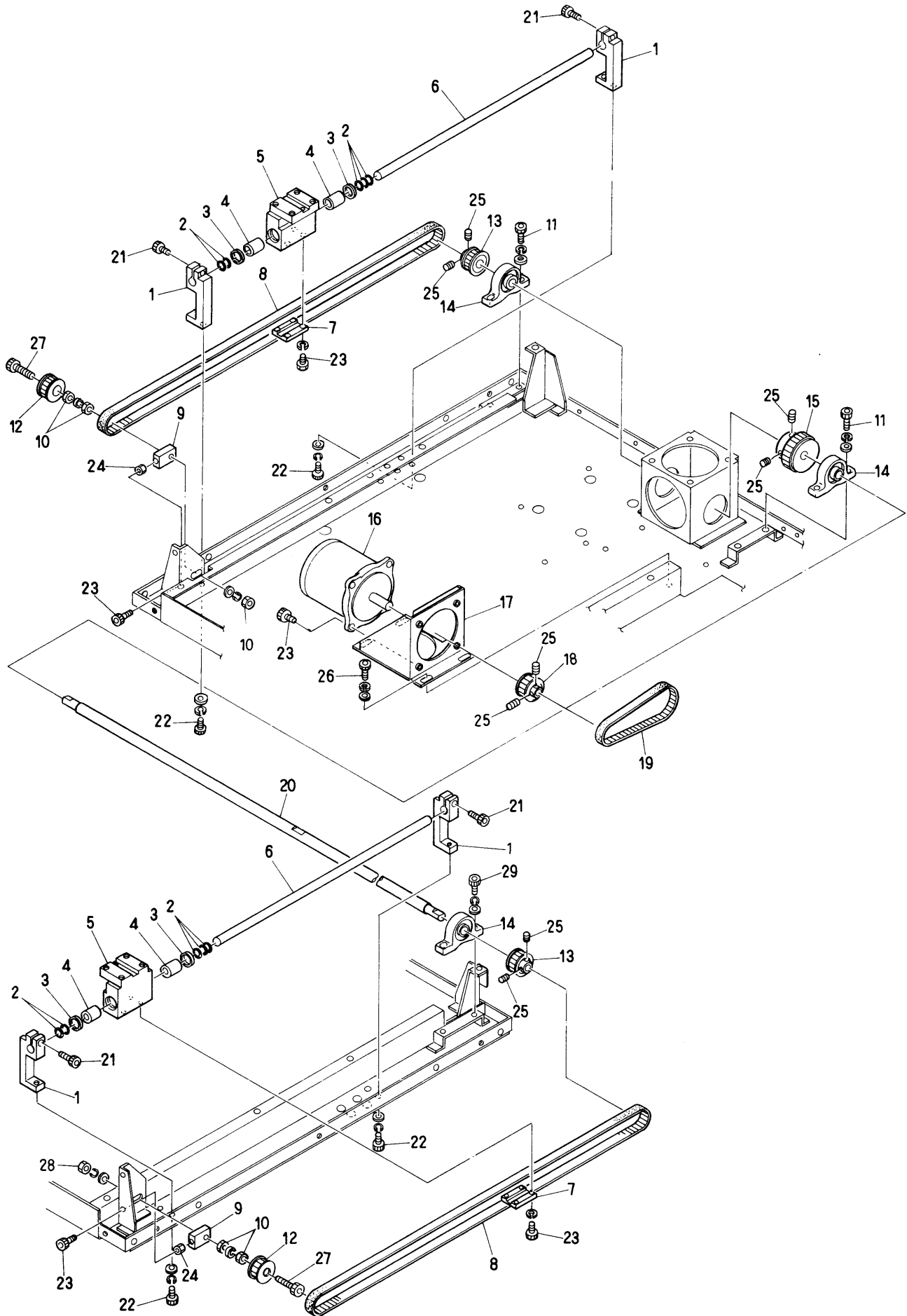


⑧ Color change mechanism

ITEM	LIST No.	DESCRIPTION	Q'TY	REMARK
1	MB 2 9 5 3 5 0	Torque limiter collar	1	
2	A 9 0 1 2 3 1 2	Small plunger PCF-4-B (lock)	3	
3	A 9 0 1 2 1 6 4	Thrust washer R-TW0815	1	
4	MB 2 9 5 1 4 0	Needle turning gear	2	
5	A 9 0 1 2 2 3 3	C-Ring (φ17)	1	
6	A 9 0 1 0 0 3 3	Ball bearing (6006ZZ)	1	
7	MB 2 9 5 1 7 0	Fixing screw for needle board	3	
8	MB 2 9 5 1 6 0	Needle turning shaft collar	1	
9	A 9 0 1 0 0 2 1	Ball bearing (6008ZZ)	1	
10	A 9 0 1 2 1 6 2	C-Ring (22)	1	
11	MB 2 9 5 1 3 0	Needle turning shaft	1	
12	KC 3 3 0 1 7 0	Plate collar	1	
13	HH 3 3 0 2 8 1	Detection plate	1	
14	MB 2 9 5 1 5 0	Needle turning bevel gear	1	
15	HH 3 3 0 8 1 0	Geard moter RM-F6A-5PC1	1	
16	MB 2 9 5 1 8 0	Needle positioner cover	1	
17	MB 2 9 5 1 2 0	Needle turning base	1	
18		Hex. socket bolt M6×25		
19		Truss screw M3×8		
20		Hex. socket set screw M5×10		
21	E B N 0 1 5 9 0	70204100 Color change board AT-IV	1	
22		Truss screw M4×6		
23		Condenser FM10083	1	
24		Hex. socket bolt M4×10		
25		Hex. socket set screw M4×4		
26		Hex. socket set screw M4×5 (Key side)		
27		Pan screw M3×60		
28		Truss screw M4×8		
29		Hex. socket bolt M4×6		

Barudan

⑨ Pantograph drive mechanism (H-Direction)



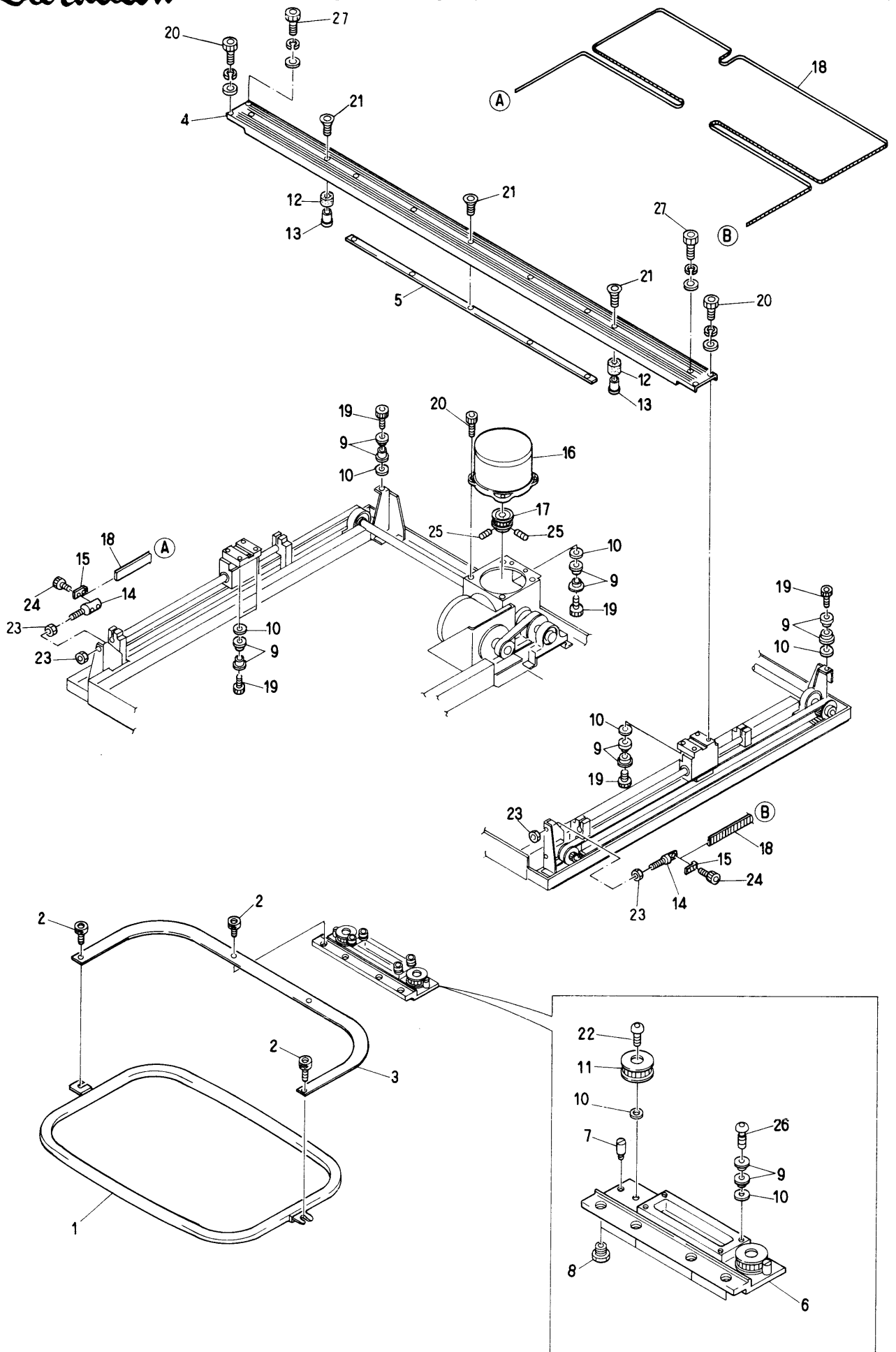
MODEL BEAT-IV-YS-T

⑨ Pantograph drive mechanism (H)

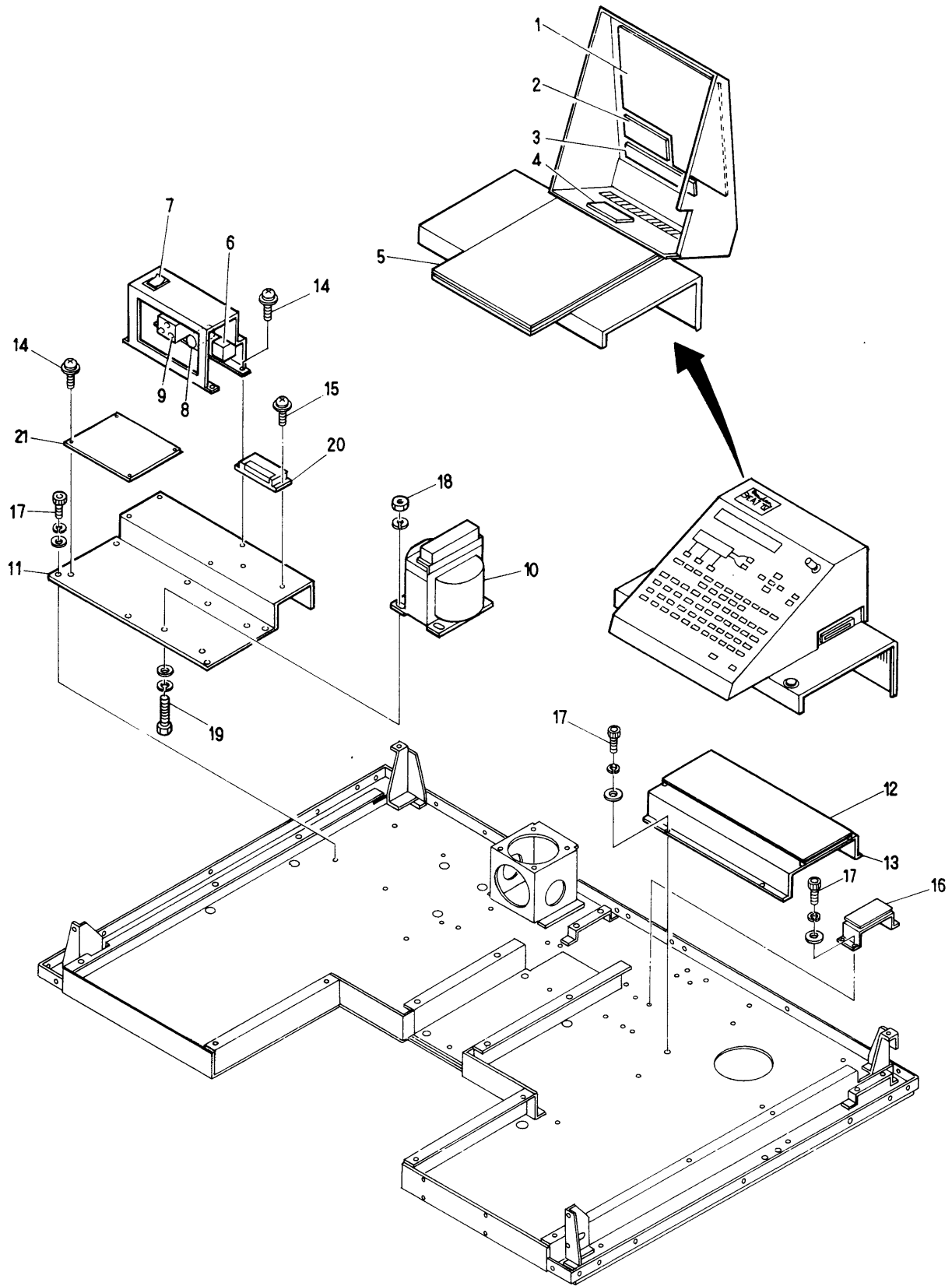
ITEM	LIST No.	DESCRIPTION	Q'TY	REMARK
1	MY 2 9 4 0 6 0	Shaft support	4	
2	A 9 0 1 5 0 6 0	O-Ring P10A	1 0	
3	A 9 0 1 1 1 2 3	Felt seal FLM10	4	
4	A 9 0 1 1 1 0 3	Slide bearing metal bush SMZ10-20	4	
5	MY 2 9 4 0 7 0	H-Axis sliding housing	2	
6	MY 2 9 4 0 3 0	Quenching slide shaft	2	
7	MY 2 9 4 0 4 0	Fixing plate (A)	2	
8	A 9 0 2 0 1 2 1	Timing belt 100S5M11295	2	
9	MY 2 9 4 0 5 0	H-Axis tension plate	2	
1 0		Hex. nut M6		
1 1		Hex. socket bolt M6×20		
1 2	MY 2 9 4 1 1 0	H-Axis driving pulley	2	
1 3	MY 2 9 4 1 2 0	H-Axis driving pulley	2	
1 4	A 9 0 1 1 0 2 0	Bearing unit UP001	3	
1 5	MY 2 9 4 0 9 0	H-Axis reduction pulley	1	
1 6	E B N 0 1 2 2 0	Pulse motor 103-815 1140	1	
1 7	MY 2 9 4 1 3 0	H-Axis motor mount	1	
1 8	MY 2 9 4 1 0 0	H-Axis motor pulley	1	
1 9	A 9 0 2 0 1 2 2	Timing belt 100S5M325	1	
2 0	MY 2 9 4 0 8 0	H-Axis driving shaft	1	
2 1		Hex. socket bolt M5×12		
2 2		Hex. socket bolt M5×18		
2 3		Hex. socket bolt M5×15		
2 4		Hex. nut M5		
2 5		Hex. socket set screw M5×5		
2 6		Hex. socket bolt M5×10		
2 7		Hex. socket bolt M6×35		
2 8		Hex. nut M6		

Barudan

⑩ Pantograph drive mechanism (V-Direction)

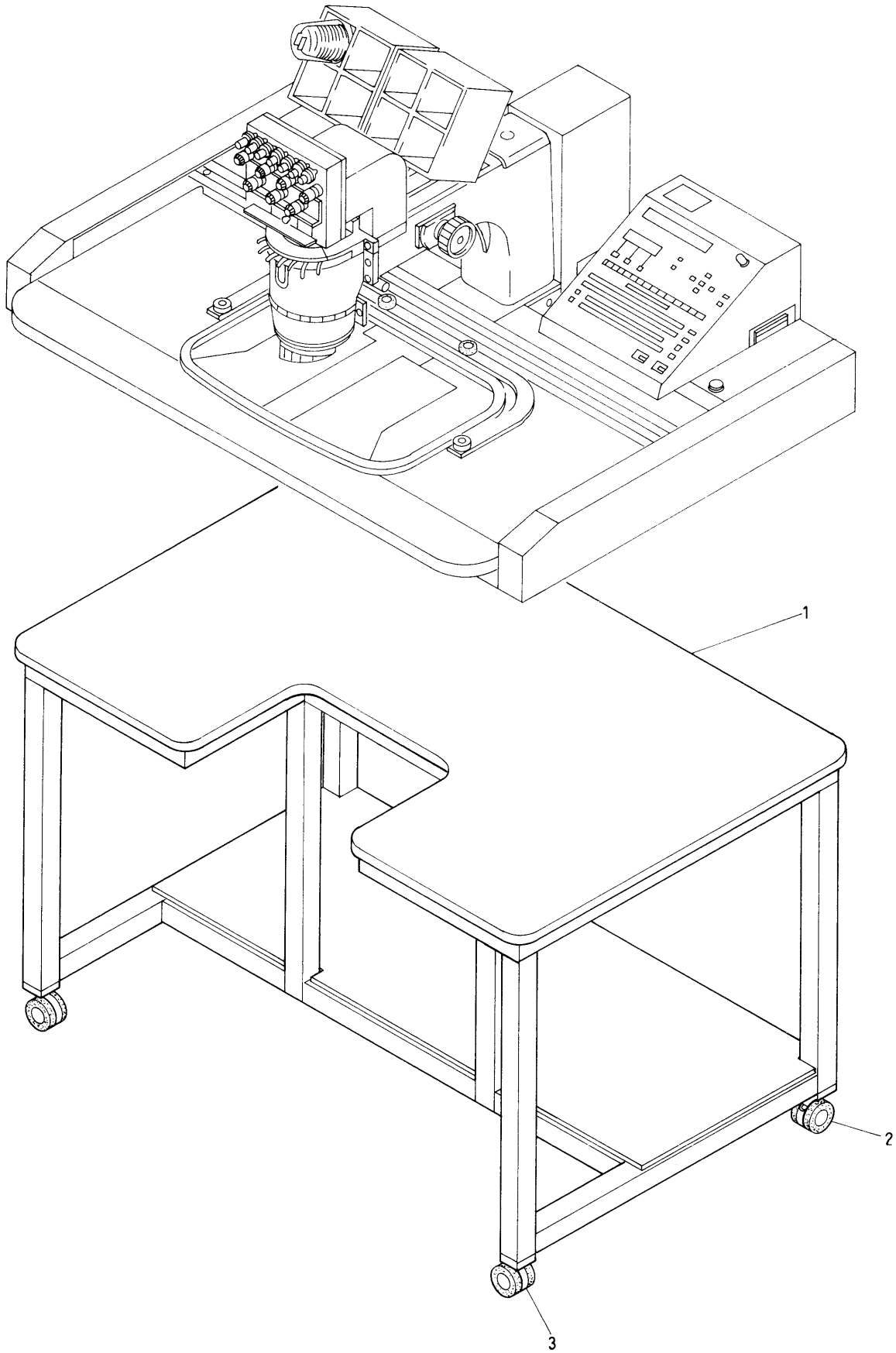


MODEL BEAT-IV-YS-T



Barudan

⑬ Exclusive table (Option)



MODEL BEAT-IV-YS-T

I N D E X

L I S T No.	PAGENO.	ITEM	L I S T No.	PAGENO.	ITEM
A 9 0 1 0 0 1 7	5	5	A 9 0 2 0 1 2 1	1 9	8
A 9 0 1 0 0 2 1	1 7	9	A 9 0 2 0 1 2 2	1 9	1 9
A 9 0 1 0 0 3 2	2 1	9	A 9 0 2 0 1 2 2	2 3	1 2
A 9 0 1 0 0 3 3	1 7	6	A 9 0 2 0 1 2 3	2 1	1 8
A 9 0 1 1 0 2 0	1 9	1 4	A 9 0 5 1 0 3 3	9	2 9
A 9 0 1 1 0 2 1	7	7	A 9 0 5 2 0 0 5	1 3	4 6
A 9 0 1 1 0 2 1	9	3 2	A 9 0 5 2 0 2 8	1 5	2 0
A 9 0 1 1 0 2 2	9	3 4	A 9 0 5 6 0 0 8	1 3	2
A 9 0 1 1 0 2 3	9	3 1	A 9 0 5 6 0 1 2	1 3	1
A 9 0 1 1 1 0 3	1 9	4	A 9 0 5 6 0 1 3	1 5	4 1
A 9 0 1 1 1 1 5	9	9	A 9 0 5 6 0 1 8	1 5	1 0
A 9 0 1 1 1 2 3	1 9	3	A 9 0 5 6 0 2 0	9	4 5
A 9 0 1 1 1 5 2	7	6	A 9 0 6 5 0 3 3	1 3	4 4
A 9 0 1 2 0 0 7	5	3 4	E B N 0 1 2 0 0	2 3	1 1
A 9 0 1 2 0 0 7	1 3	2 6	E B N 0 1 2 1 0	2 1	1 6
A 9 0 1 2 0 2 7	5	4 8	E B N 0 1 2 2 0	1 9	1 6
A 9 0 1 2 0 5 1	9	5 5	E B N 0 1 2 3 0	2 5	1 2
A 9 0 1 2 0 5 3	9	6 9	E B N 0 1 2 4 0	2 5	5
A 9 0 1 2 0 5 6	1 5	3 4	E B N 0 1 2 5 0	2 5	1
A 9 0 1 2 0 7 7	2 3	2	E B N 0 1 2 6 0	2 5	4
A 9 0 1 2 1 1 4	1 3	2 7	E B N 0 1 2 9 0	2 5	3
A 9 0 1 2 1 6 2	1 7	1 0	E B N 0 1 3 0 0	2 5	2
A 9 0 1 2 1 6 4	7	2 9	E B N 0 1 3 2 0	2 5	1 0
A 9 0 1 2 1 6 4	1 7	3	E B N 0 1 3 3 0	2 5	7
A 9 0 1 2 1 7 4	3	7	E B N 0 1 3 4 0	2 5	9
A 9 0 1 2 1 9 0	9	4	E B N 0 1 3 5 0	2 5	6
A 9 0 1 2 2 1 5	3	1 3	E B N 0 1 3 6 0	2 5	8
A 9 0 1 2 2 1 7	2 7	3	E B N 0 1 3 9 0	2 3	1 7
A 9 0 1 2 2 1 8	2 7	2	E B N 0 1 5 9 0	1 7	2 1
A 9 0 1 2 2 3 3	1 7	5	E B N 0 1 6 0 0	1 1	1 2
A 9 0 1 2 2 9 1	9	2 8	E B N 0 1 6 1 0	2 5	1 6
A 9 0 1 2 3 0 0	7	2 3	F A 9 1 1 1 4 1	2 5	2 1
A 9 0 1 2 3 0 0	9	6 3	H B 2 3 0 1 4 0	9	3 3
A 9 0 1 2 3 0 1	7	2 6	H B 2 3 0 1 6 0	7	2 0
A 9 0 1 2 3 0 3	7	2 7	H B 2 3 0 1 7 0	9	1 3
A 9 0 1 2 3 0 9	9	7 3	H B 2 3 0 2 7 0	7	2 1
A 9 0 1 2 3 1 0	9	7 0	H B 2 3 0 2 9 0	7	4
A 9 0 1 2 3 1 1	5	3 2	H B 2 3 0 3 1 0	7	1 5
A 9 0 1 2 3 1 2	1 7	2	H B 2 3 0 3 2 0	7	1 1
A 9 0 1 3 0 4 5	1 3	2 1	H B 2 3 0 3 3 1	7	1 2
A 9 0 1 3 0 4 5	1 5	4 3	H B 2 3 0 3 7 1	9	1 0
A 9 0 1 3 0 6 0	2 1	1 0	H B 2 3 0 3 8 1	9	5
A 9 0 1 4 0 5 1	9	5 4	H B 2 3 0 3 9 0	9	3
A 9 0 1 4 0 6 3	5	5 0	H B 2 3 0 4 0 1	9	1
A 9 0 1 5 0 6 0	1 9	2	H B 2 3 0 4 1 4	9	1 2

I N D E X

L I S T No.	PAGENO.	ITEM	L I S T No.	PAGENO.	ITEM
HB 2 3 0 4 2 0	9	1 1	HP 2 4 1 4 7 0	1 1	1 0
HB 2 3 0 4 6 0	9	4 2	HP 2 4 1 4 8 0	1 1	1 0
HB 2 3 0 4 7 0	9	4 3	HP 7 1 1 3 6 0	2 3	2 3
HB 2 3 0 5 0 0	9	7 5	HP 7 1 1 3 7 0	2 3	2 2
HB 2 3 0 5 1 1	9	1 7	KB 2 1 0 1 7 0	9	4 6
HB 2 3 0 5 2 1	9	1 6	KB 2 3 0 0 1 0	5	4 3
HB 2 3 0 5 3 1	9	1 5	KB 2 3 0 0 3 0	5	3 1
HB 2 3 0 5 4 0	9	1 8	KB 2 3 0 0 5 0	5	3 3
HB 2 3 0 5 6 0	9	7 2	KB 2 3 0 0 6 0	9	8
HB 2 3 0 5 7 0	9	7 6	KB 2 3 0 0 7 0	9	7
HB 2 3 0 5 8 0	9	6 6	KB 2 3 0 0 8 0	9	6
HB 2 3 0 5 9 0	9	2	KB 2 3 0 0 9 0	7	5
HB 2 3 0 6 5 0	7	3 5	KB 2 3 0 1 0 0	7	8
HB 2 4 0 0 2 0	9	5 0	KB 2 3 0 1 1 0	7	9
HB 2 4 0 0 3 0	9	5 1	KB 2 3 0 1 2 0	7	1 0
HB 2 4 0 0 4 0	9	4 9	KB 2 3 0 1 3 0	7	1 9
HB 2 4 0 0 5 0	9	4 8	KB 2 3 0 1 4 0	7	1 7
HB 2 4 0 0 7 0	9	5 3	KB 2 3 0 1 5 0	7	1 6
HB 2 4 0 0 8 0	9	5 8	KB 2 3 0 1 6 1	7	1
HB 2 4 0 0 9 0	9	5 7	KB 2 3 0 1 7 0	9	4 4
HB 2 4 0 1 1 0	9	5 2	KB 2 3 0 3 1 0	7	3 6
HB 2 4 0 1 7 1	7	1 8	KB 2 4 0 0 1 0	7	1 4
HB 2 4 0 1 8 0	7	2	KB 2 4 0 0 2 0	7	3
HB 2 4 0 2 6 0	1 1	1 1	KB 2 4 0 0 3 0	9	4 7
HB 2 4 0 2 7 0	1 1	1 1	KB 2 4 0 0 4 0	9	5 6
HB 2 4 0 2 8 0	7	1 8	KB 2 5 0 0 2 0	1 1	1 7
HB 2 4 0 2 9 0	7	2	KB 2 5 0 0 3 0	1 1	1 8
HB 2 4 0 3 1 0	9	7 9	KB 2 5 0 0 4 0	1 1	1 9
HB 2 4 0 3 3 0	9	7 8	KB 2 5 0 0 6 0	1 1	1 5
HB 2 4 0 3 4 0	9	7 7	KC 2 2 0 2 1 0	5	5 4
HH 3 3 0 2 8 1	1 7	1 3	KC 2 2 0 6 4 1	1 3	2 3
HH 3 3 0 8 1 0	1 7	1 5	KC 2 5 0 4 7 1	5	1
HP 2 3 1 3 9 0	5	1 3	KC 2 5 0 4 8 2	5	5 6
HP 2 4 1 1 1 2	1 1	6	KC 2 5 1 3 3 0	5	1 8
HP 2 4 1 1 2 2	1 1	6	KC 2 7 0 1 0 1	1 5	4 0
HP 2 4 1 1 5 0	1 1	2	KC 2 7 0 2 7 1	1 5	2 8
HP 2 4 1 1 6 0	1 1	7	KC 2 7 0 2 8 3	1 5	2 4
HP 2 4 1 1 7 0	1 1	3	KC 2 7 0 2 9 2	1 5	2 9
HP 2 4 1 1 8 0	1 1	3	KC 2 7 0 3 0 1	1 5	2 7
HP 2 4 1 3 7 1	1 1	8	KC 2 7 0 7 6 1	1 5	2 3
HP 2 4 1 3 8 1	1 1	8	KC 2 7 0 9 5 0	1 3	2 0
HP 2 4 1 4 1 0	1 1	1	KC 2 7 0 9 6 0	1 3	1 4
HP 2 4 1 4 4 0	1 1	5	KC 2 7 0 9 7 0	1 3	2 2
HP 2 4 1 4 5 0	1 1	4	KC 2 7 0 9 8 0	1 3	1 9
HP 2 4 1 4 6 0	1 1	4	KC 2 7 1 0 0 0	1 3	1 2

I N D E X

L I S T	No.	PAGE No.	ITEM	L I S T	No.	PAGE No.	ITEM
K C 2 7 1 0 2 1		1 3	1 1	K L 2 2 0 0 3 0		5	1 5
K C 2 7 1 0 3 1		1 3	1 0	K L 2 2 0 0 4 0		5	6
K C 2 7 1 0 4 1		1 3	9	K L 2 2 0 0 5 0		5	2 1
K C 2 7 1 0 7 0		1 3	2 9	K L 2 2 0 0 6 0		5	2 5
K C 2 7 1 1 2 0		1 3	2 8	K L 2 2 0 0 7 0		5	3 6
K C 2 7 1 9 4 0		1 3	7	K L 2 2 0 0 8 0		5	1 2
K C 2 7 1 9 5 0		1 3	6	K L 2 2 0 0 9 0		5	4
K C 2 7 1 9 6 0		1 3	3	K L 2 2 0 1 2 0		5	5 3
K C 3 3 0 1 7 0		1 7	1 2	K L 2 2 0 1 3 0		5	1 4
K C 5 1 0 2 4 0		2 3	1 5	K L 2 2 0 1 4 0		5	2 0
K F 2 2 0 1 3 0		5	1 1	K L 2 2 0 1 5 0		5	8
K F 2 2 0 2 3 0		5	5 2	K L 2 3 0 1 1 0		9	2 5
K F 2 2 0 2 7 1		5	2 7	K L 2 3 0 1 8 0		9	6 0
K F 2 2 0 2 9 0		5	3 7	K L 2 5 0 0 5 1		5	3
K F 2 2 0 4 1 0		5	4 0	K L 2 5 0 0 7 0		5	4 5
K F 2 2 0 4 4 0		5	3 9	K L 2 7 0 0 0 0		1 5	3 0
K F 2 2 0 4 6 0		5	1 9	K L 2 7 0 0 1 0		1 5	3 2
K F 2 2 0 4 7 0		5	2 6	K L 2 7 0 0 2 0		1 5	3 1
K F 2 2 0 4 8 0		5	3 5	K L 2 7 0 0 3 0		1 5	3 3
K F 2 2 0 7 8 0		5	4 1	K L 2 7 0 0 4 0		1 5	3 5
K F 2 3 0 2 1 0		9	2 7	K L 2 7 0 0 5 0		1 5	3 6
K F 2 3 0 2 3 0		9	2 2	K L 2 7 0 0 6 0		1 5	3 7
K F 2 3 0 2 4 0		9	2 3	K L 2 7 0 0 7 0		1 5	3 9
K F 2 3 0 2 5 0		9	2 4	K L 2 7 0 0 8 1		1 5	1 1
K F 2 3 0 4 2 0		5	3 0	K L 2 7 0 0 9 1		1 5	2 1
K F 2 3 0 5 0 0		7	1 3	K L 2 7 0 1 0 1		1 5	1 5
K F 2 3 0 5 8 0		7	2 2	K L 2 7 0 1 1 0		1 5	1 8
K F 2 3 0 5 8 0		1 5	2 5	K L 2 7 0 1 2 0		1 5	1 7
K F 2 3 0 6 3 0		9	3 8	K L 2 7 0 1 3 0		9	8 0
K F 2 3 0 6 5 0		9	3 7	K L 2 7 0 1 3 0		1 5	1 6
K F 2 3 0 6 6 1		9	3 6	K L 2 7 0 1 4 0		1 5	1 4
K F 2 3 0 6 7 0		9	3 5	K L 2 7 0 1 5 0		1 5	1 3
K F 2 3 0 9 1 0		9	2 0	K L 2 7 0 2 6 0		1 5	1 9
K F 2 3 0 9 2 0		9	2 6	K L 2 7 0 3 6 0		1 3	8
K F 2 3 0 9 3 0		9	2 1	K L 2 7 0 3 8 0		1 3	1 3
K F 2 5 0 9 0 0		5	4 2	K L 2 7 0 3 9 0		1 3	3 5
K F 2 5 0 9 0 0		1 3	1 8	K L 2 7 0 4 0 0		1 5	4 7
K F 7 3 0 7 9 0		2 1	2	K L 2 7 0 4 1 0		1 5	4 2
K G 2 3 0 0 2 0		9	1 9	K L 2 7 0 4 2 0		1 5	4 5
K G 2 7 0 2 8 2		1 5	2 4	K L 2 7 0 4 3 0		1 5	4 4
K G 2 7 0 3 1 0		1 5	2 6	K L 2 7 0 4 4 0		1 5	4 6
K G 2 7 0 7 6 0		1 5	2 3	K L 2 7 0 4 5 0		1 5	5 0
K L 2 2 0 0 0 0		5	1 6	K L 2 7 0 5 2 0		1 5	3 8
K L 2 2 0 0 1 0		5	2 4	K N 2 3 1 3 5 0		9	1 4
K L 2 2 0 0 2 0		5	2 9	K N 2 7 1 1 9 0		1 3	1 6

I N D E X

L I S T No.	PAGE No.	ITEM	L I S T No.	PAGE No.	ITEM
KN 2 7 1 2 2 0	1 3	1 5	MY 2 9 4 0 5 0	1 9	9
KN 2 7 1 6 0 2	1 3	2 5	MY 2 9 4 0 6 0	1 9	1
KN 2 7 1 6 1 0	1 3	2 4	MY 2 9 4 0 7 0	1 9	5
KN 2 7 1 6 5 1	9	8 2	MY 2 9 4 0 8 0	1 9	2 0
KN 2 7 1 6 5 1	1 3	4	MY 2 9 4 0 9 0	1 9	1 5
KN 2 7 1 6 6 1	9	8 3	MY 2 9 4 1 0 0	1 9	1 8
KN 2 7 1 6 6 1	1 3	5	MY 2 9 4 1 1 0	1 9	1 2
KU 2 4 1 4 0 0	1 1	1 4	MY 2 9 4 1 2 0	1 9	1 3
MB 2 9 5 0 9 0	5	4 4	MY 2 9 4 1 3 0	1 9	1 7
MB 2 9 5 1 0 0	5	5 1	MY 2 9 4 1 4 0	2 1	1 5
MB 2 9 5 1 1 0	1 1	1 3	MY 2 9 4 1 5 0	2 1	1 4
MB 2 9 5 1 2 0	1 7	1 7	MY 2 9 4 1 6 0	2 1	5
MB 2 9 5 1 3 0	1 7	1 1	MY 2 9 4 1 7 0	2 1	4
MB 2 9 5 1 4 0	1 7	4	MY 2 9 4 1 8 0	2 1	7
MB 2 9 5 1 5 0	1 7	1 4	MY 2 9 4 1 9 0	2 1	6
MB 2 9 5 1 6 0	1 7	8	MY 2 9 4 2 0 0	2 1	3
MB 2 9 5 1 7 0	1 7	7	MY 2 9 4 2 1 0	2 1	1 2
MB 2 9 5 1 8 0	1 7	1 6	MY 2 9 4 2 2 0	2 1	1 3
MB 2 9 5 1 9 0	2 3	2 0	MY 2 9 4 2 3 0	2 1	1 1
MB 2 9 5 2 0 0	2 3	1 9	MY 2 9 4 2 4 0	2 1	1 7
MB 2 9 5 2 1 0	2 3	1 8	MY 2 9 4 2 6 0	2 3	8
MB 2 9 5 2 2 0	1 1	1 6	MY 2 9 4 2 7 0	2 3	1 0
MB 2 9 5 2 3 0	1 3	4 3	MY 2 9 4 2 8 0	2 3	1 4
MB 2 9 5 2 4 1	1 3	4 2	MY 2 9 4 2 9 0	2 3	7
MB 2 9 5 2 5 0	1 3	3 1	MY 2 9 4 3 0 0	2 3	9
MB 2 9 5 2 6 0	1 3	3 6	MY 2 9 4 3 1 0	2 3	1 3
MB 2 9 5 2 7 0	1 3	3 4	MY 2 9 4 3 2 1	3	1 5
MB 2 9 5 2 8 0	1 3	3 0	MY 2 9 4 3 3 0	3	1 1
MB 2 9 5 2 9 0	9	4 0	MY 2 9 4 3 4 0	3	1 2
MB 2 9 5 2 9 0	1 3	3 3	MY 2 9 4 3 5 0	3	1 4
MB 2 9 5 3 0 0	9	3 9	MY 2 9 4 3 6 0	3	8
MB 2 9 5 3 1 0	9	5 9	MY 2 9 4 3 8 0	3	2
MB 2 9 5 3 2 1	9	4 1	MY 2 9 4 3 9 0	3	3
MB 2 9 5 3 3 0	9	3 0	MY 2 9 4 4 0 0	3	4
MB 2 9 5 3 4 0	9	3 0	MY 2 9 4 4 1 0	3	5
MB 2 9 5 3 5 0	1 7	1	MY 2 9 4 4 2 0	2 3	6
MB 2 9 5 3 8 0	9	8 1	MY 2 9 4 4 3 0	2 3	3
MB 2 9 5 3 9 0	1 1	1 6	MY 2 9 4 4 4 0	5	2 8
MB 2 9 5 4 0 0	9	7 4	MY 2 9 4 4 5 0	2 3	1
MB 2 9 5 4 1 0	9	7 4	MY 2 9 4 4 6 0	2 3	4
MB 2 9 5 4 3 0	9	8 5	MY 2 9 4 4 7 0	2 3	5
MV 2 9 3 8 7 0	2 1	8	MY 2 9 4 5 3 0	3	1
MY 2 9 4 0 2 0	3	9	MY 2 9 4 5 4 0	3	1 0
MY 2 9 4 0 3 0	1 9	6	MY 2 9 4 5 8 0	3	6
MY 2 9 4 0 4 0	1 9	7	MY 2 9 4 5 9 0	2 1	1

