

Barudan

HIGH SPEED AUTOMATIC EMBROIDERY MACHINE

MODEL

BEMRHE-YS
BEMSHE-YS

PARTS LIST

BARUDAN CO., LTD.

ADDRESS 906 JOSUJI
ICHINOMIYA-CITY·AICHI-PREF·
JAPAN

TEL. <0586>76-1137

FAX. <0586>77-1499

TELEX 4573268 BARUNA J

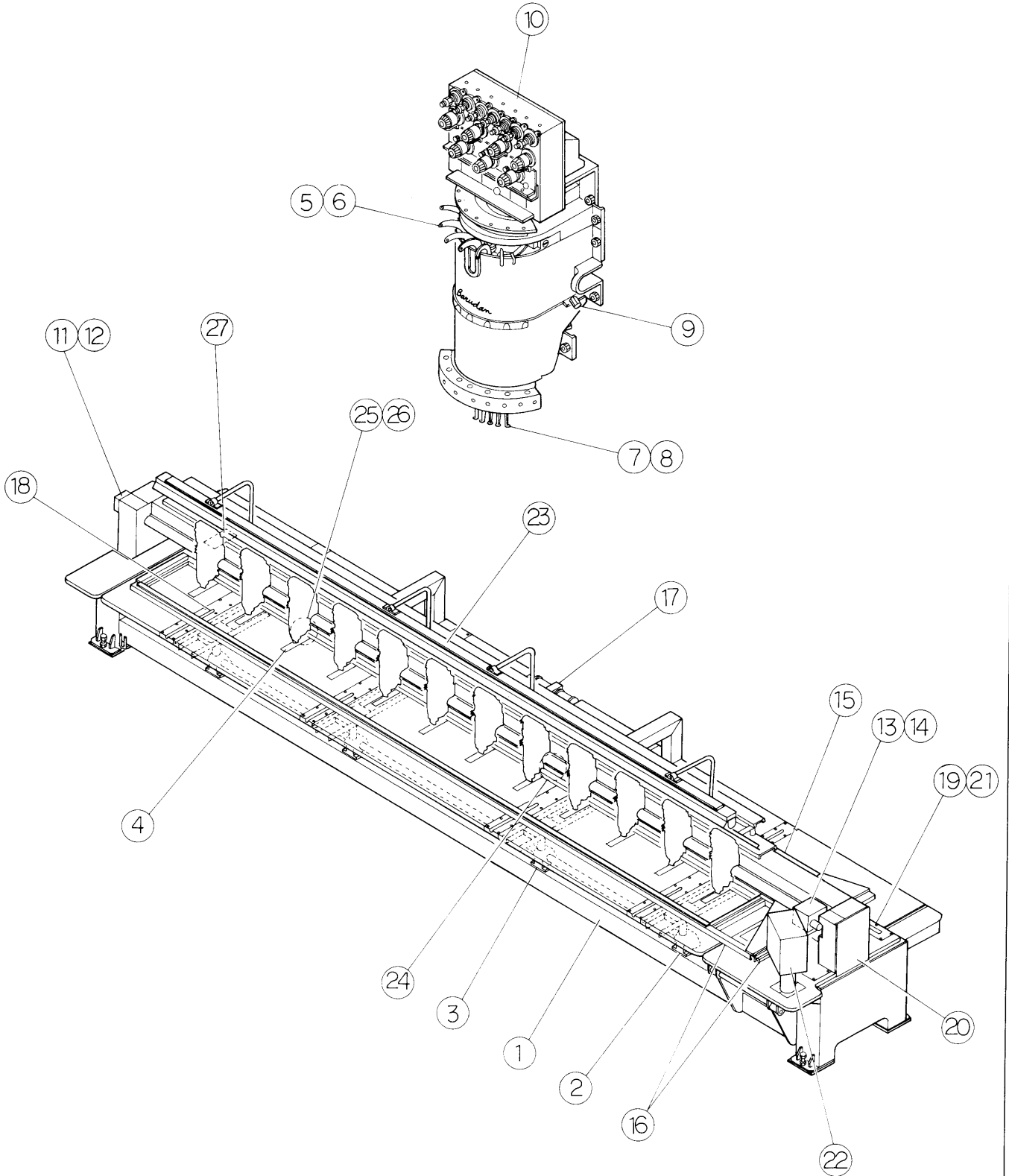
CABLE BARUNA ICHINOMIYA





Barudan

Machine layout (BEMRHE-YS
BEMRHE-YS)



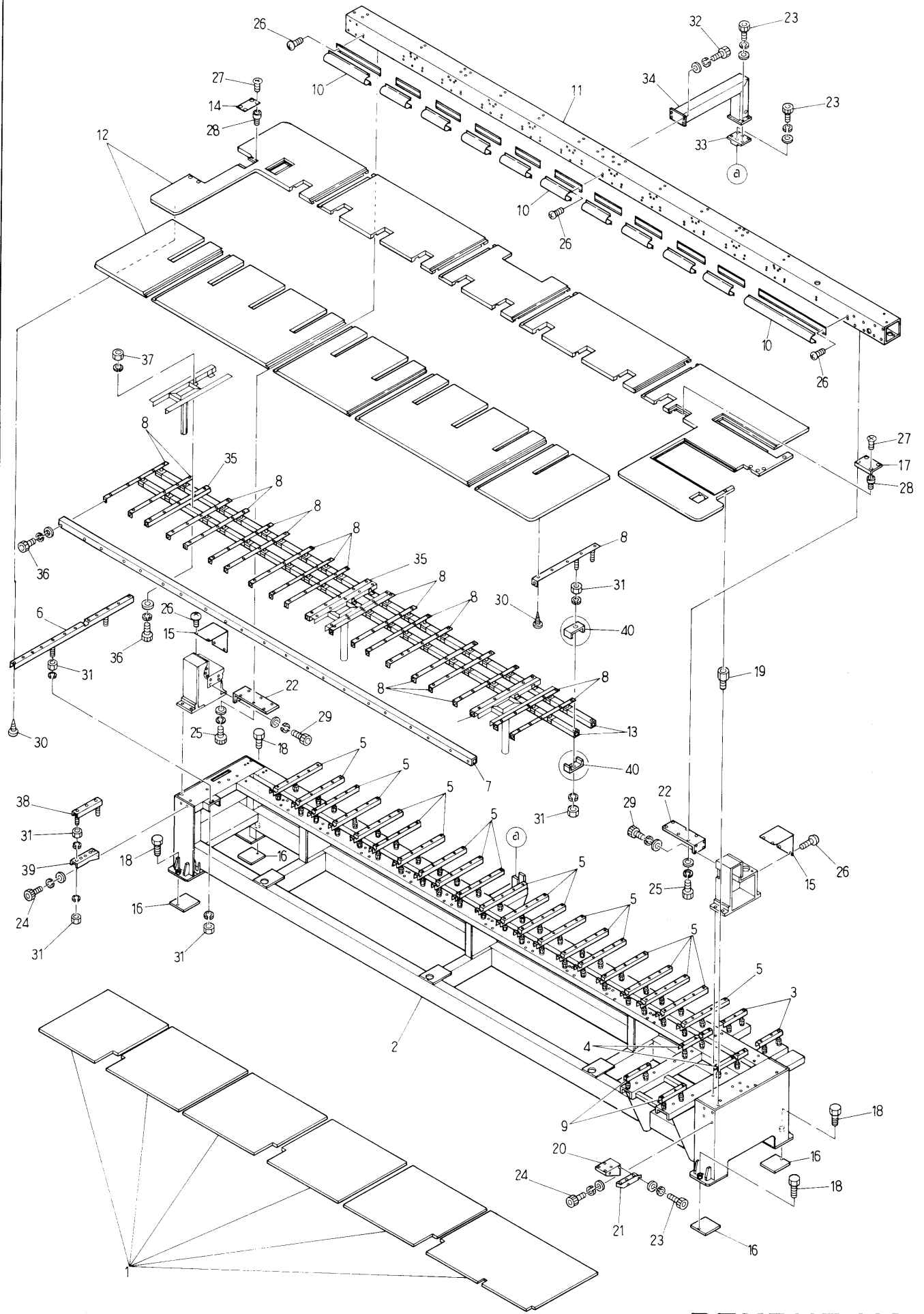
BEMRHE-YS
BEMSHE-YS

MODEL

**BEMRHE-YS
BEMSHE-YS**

Barudan

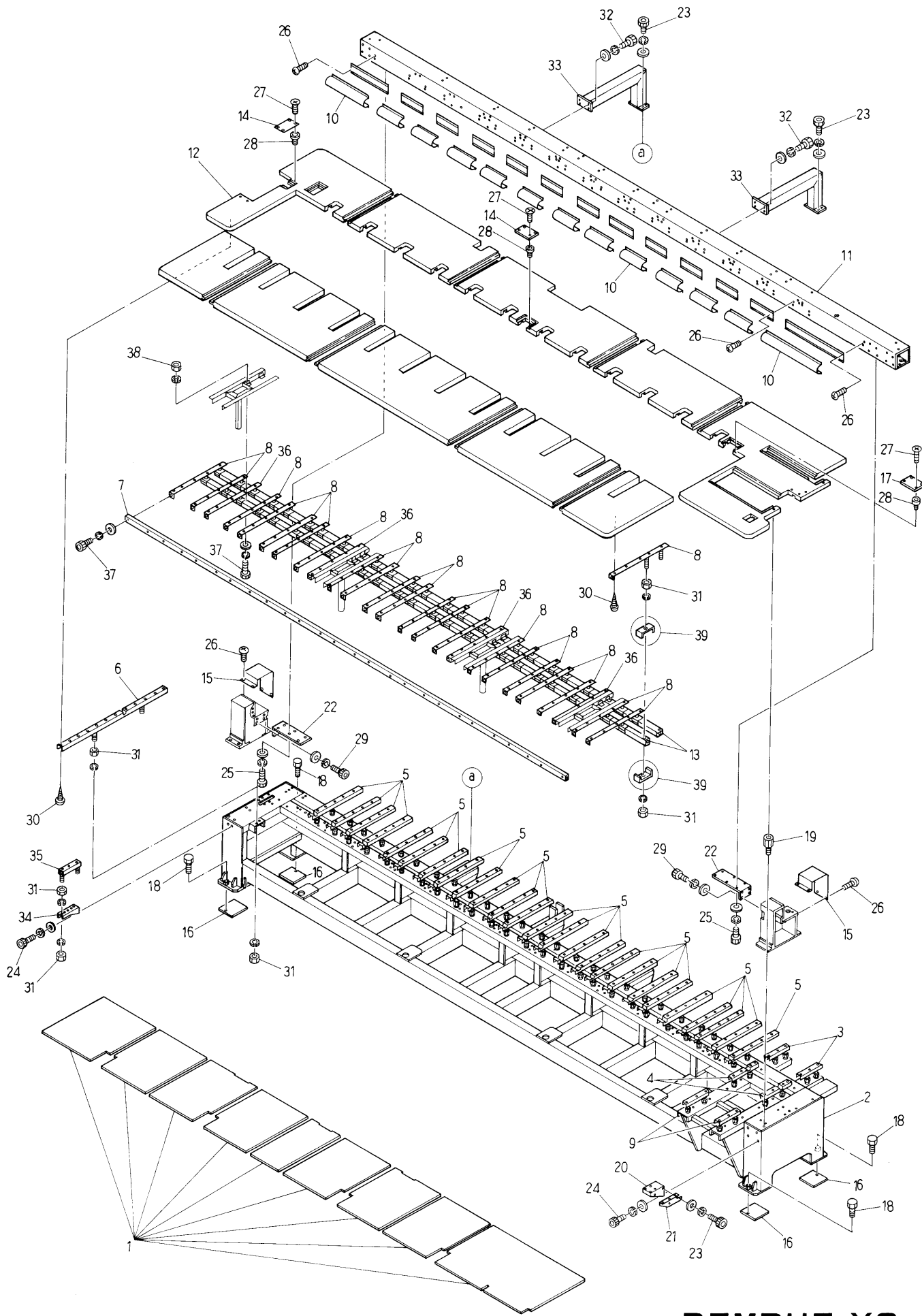
① Table • Frame a' sssy (BEMRHE-YS-10)



MODEL BEMRHE-YS
BEMSHE-YS

①Table・Frame a'ssy (BEMSHE-YS-10)

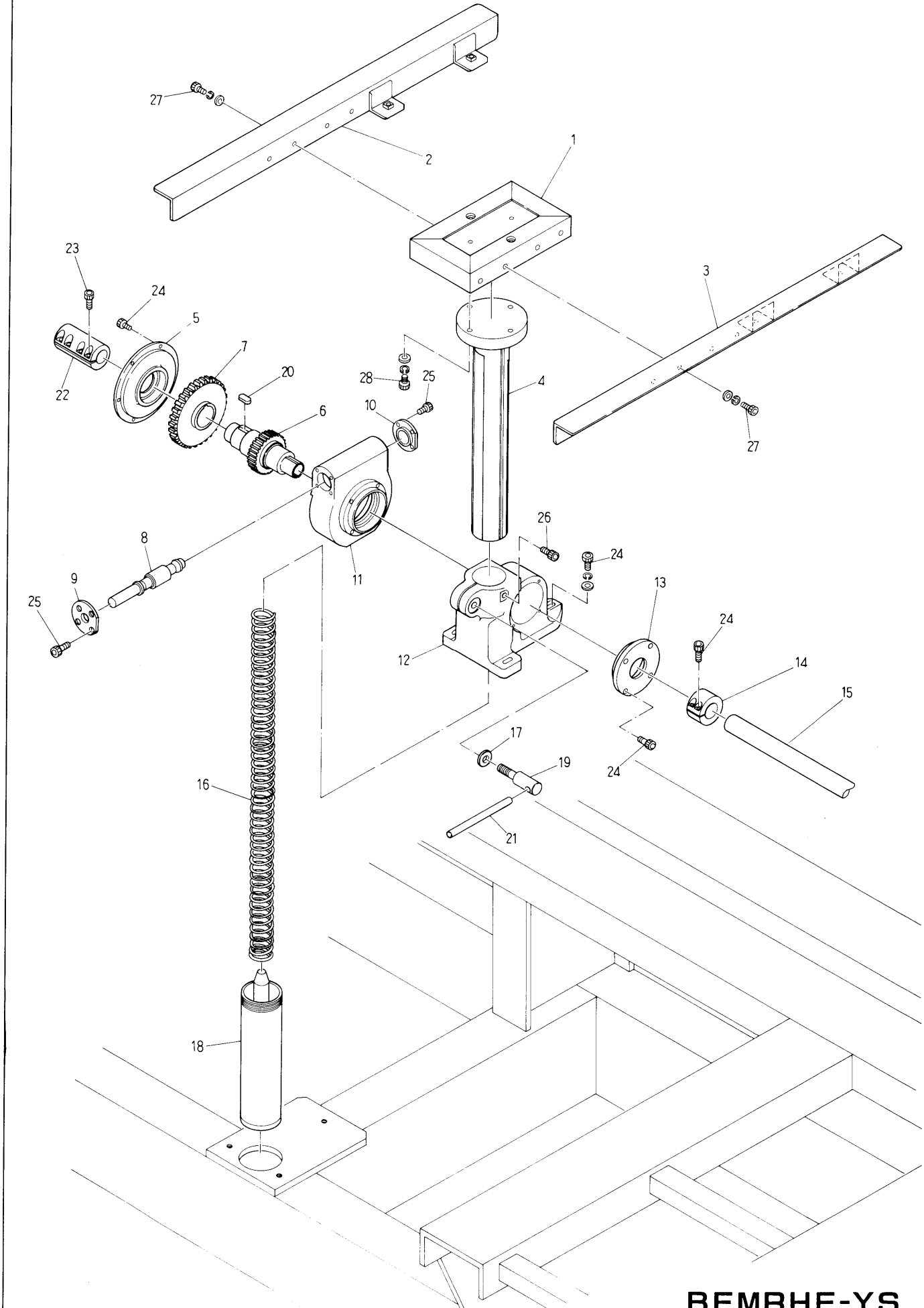
ITEM	LIST No.	DESCRIPTION	Q'TY	REMARK
1	1KHS1052052045H	Shelf board (BEMSHE-YS-10, 450×520/520)	1	
2	1AHS1052052045H	Frame (BEMSHE-YS-10, 450×520/520)	1	
3	HS140170	Table support (300L)	2	
4	HS140140	Table support (380L)	2	
5	HS140160	Table support (605L)	2	1
6	HS140150	Table support (1500L)	1	
7	HS140680	Table support (Front) (BEMSHE-YS-10, 450×520/520)	1	
8	HS140290	Table support [1] R	1	9
9	HS140010	Table support (310L)	2	
10	1SHS10520520K	Upper shaft cover set (MSHE-10, P520/520)	1	
11	1EHS1052052045H	Bridge (BEMSHE-YS-10, 450×520/520)	1	
12	1BHS1052052045H	Table (BEMSHE-YS-10, 450×520/520)	1	
13	HS140690	Table support (Rear) (BEMSHE-YS-10, 450×520/520)	2	
14	HP321110	Lower shaft connecting coupling cover	1	
15	HB310180	Bridge cover	2	
16	HP120030	Base plate (200×200×t1)	4	
17	HS510000	Position corder cover (BEMSHE)	1	
18		Hex, bolt M20×65		
19	HP140170	Table support bolt	3	
20	HP512320	Controller fixing stay	1	
21	HP14013045	Table support R (Front) (360L) (MSHE)	1	
22	HP130020	Bridge support	2	
23		Hex, socket bolt M8×20		
24		Hex, socket bolt M8×30		
25		Hex, socket bolt M10×40		
26		Truss screw M5×10		
27		Flush screw M4×8		
28		Nut (C) M4		
29		Hex, socket bolt M10×30		
30		Flush wood screw 5.1×25		
31		Hex, nut 3/8		
32		Hex, socket bolt M8×25		
33	HB130040	Bridge support base (Center)	1	
34	HB13001180	Bridge support (Center) for H stroke 800	1	
35	HS140540	Table support [1] L	3	
36		Hex, socket bolt M8×70		
37		Hex, nut M8		
38	HP140111	Table support (310L)	1	
39	HP140120	Table support bracket	1	
40	HS140560	Table support fixing bracket	8	8



MODEL **BEMRHE-YS**
BEMSHE-YS

Barudan

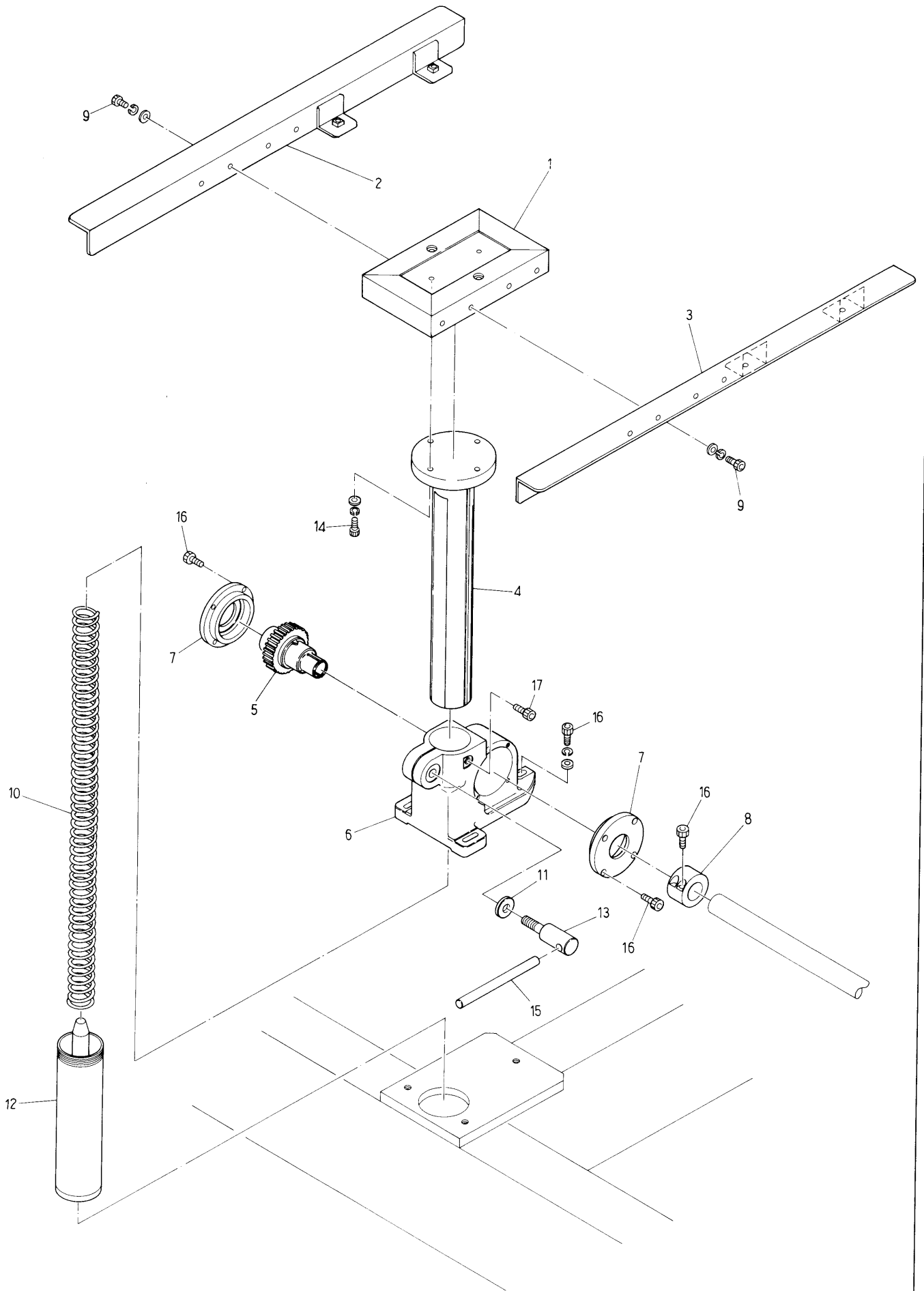
② Table lifter mechanism I (Master machine)



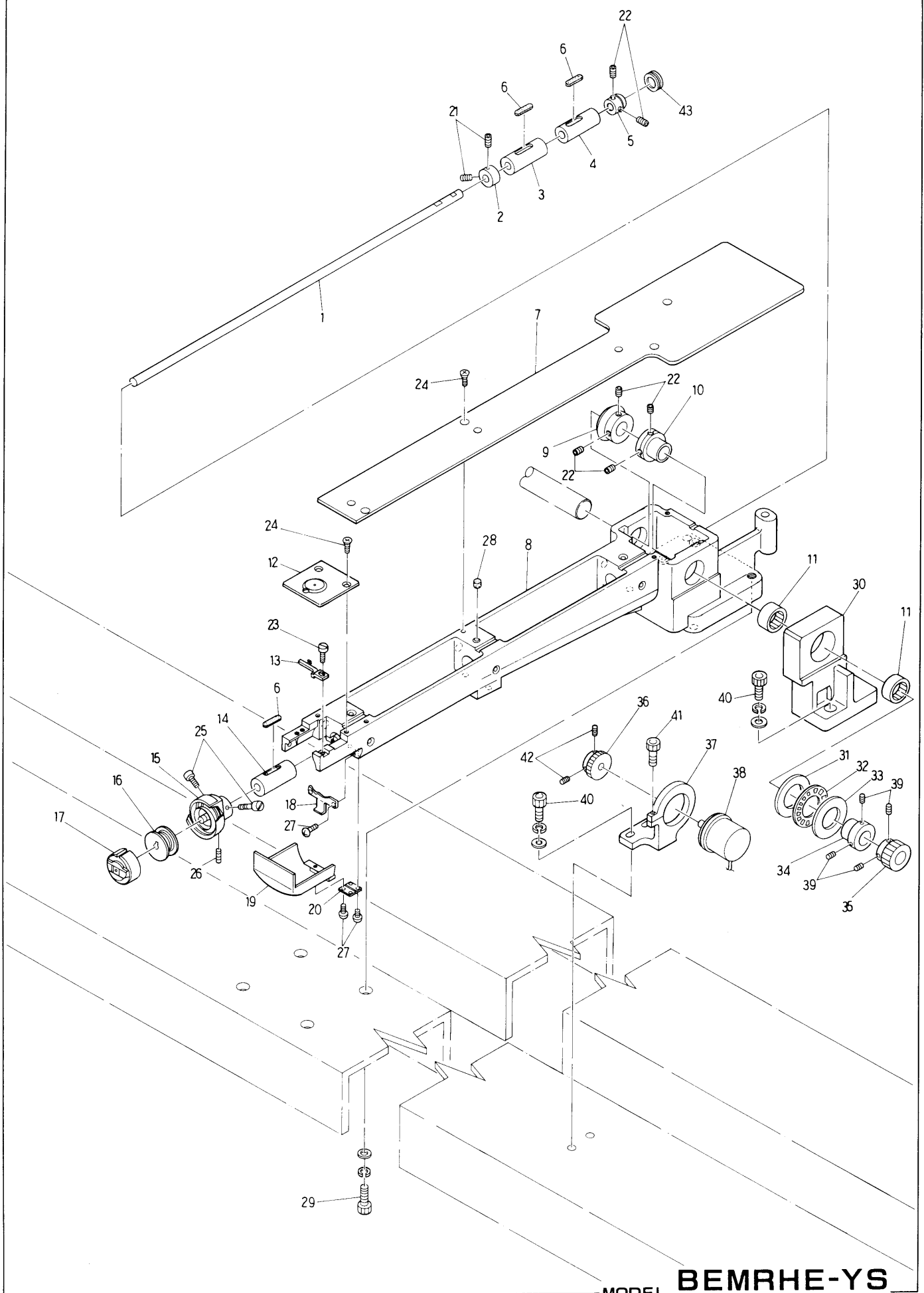
MODEL **BEMRHE-YS**
BEMSHE-YS

Barudan

③ Table lifter mechanism II (Sub machine)



MODEL BEMRHE-YS
BEMSHE-YS

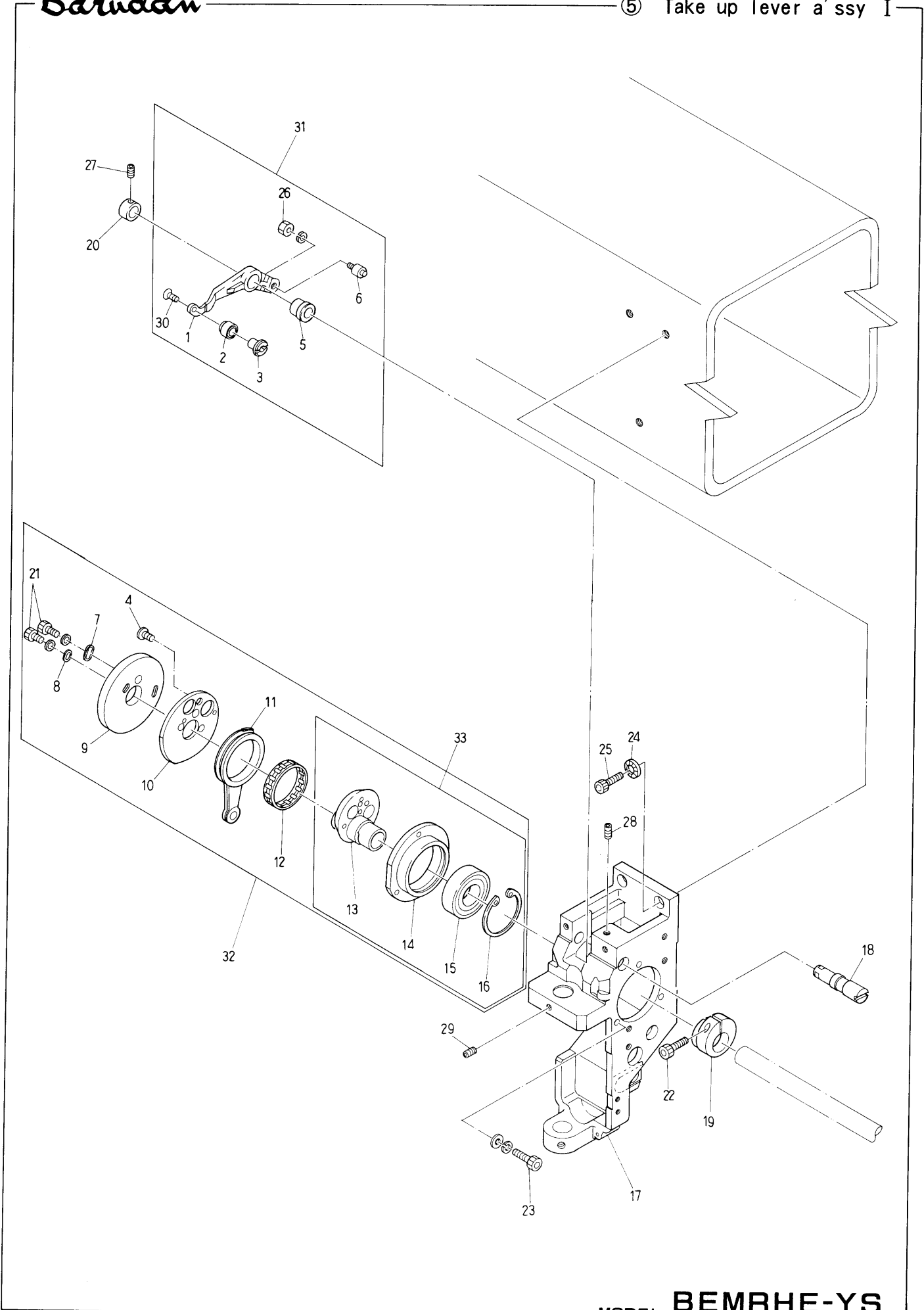


MODEL **BEMRHE-YS**
BEMSHE-YS

④ Bed a' ssy

(H=Head Q' TY)

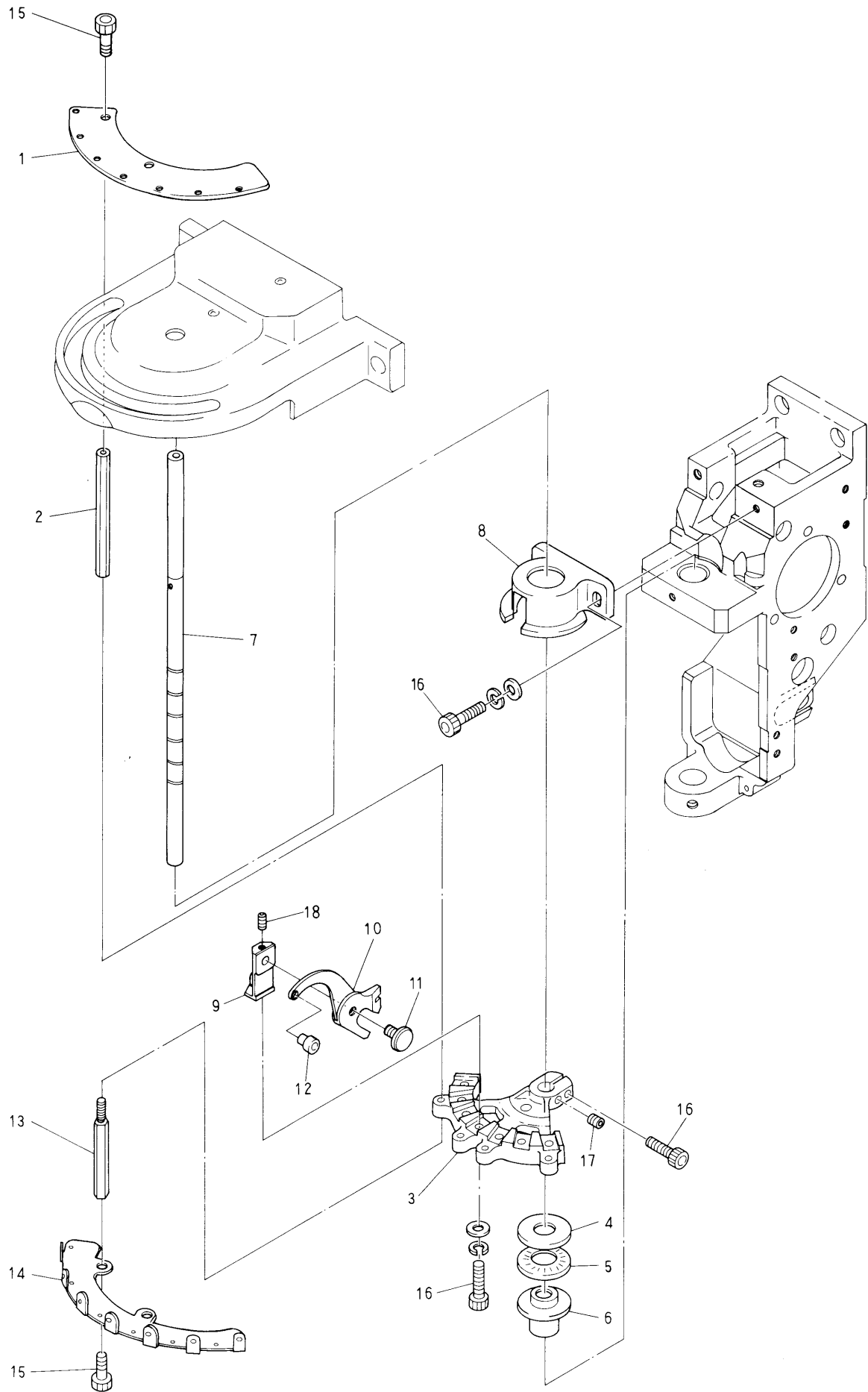
ITEM	LIST No	DESCRIPTION	Q' TY	REMARK
1	HS 2 1 0 0 2 0	Lower shaft	H×1	
2	HP 2 2 0 6 8 0	Lower shaft collar	H×1	
3	KF 2 2 0 2 3 0	Lower shaft metal (Front)	H×1	
4	KF 2 2 0 2 2 0	Lower shaft metal (Rear)	H×1	
5	HP 2 2 0 7 1 2	Lowcr shaft gear (S)	H×1	
6	KL 2 2 0 1 4 0	Oil felt C (5×25×20)	H×3	
7	HS 2 1 0 0 4 0	Bed covcr	H×1	
8	HS 2 1 0 0 1 1	Barrel bed	H×1	
9	HP 3 2 1 0 8 2	Lower connecting gear (L)	H×1	
10	HP 3 2 1 0 9 0	Lower shaft collar	H×1	
11	A 9 0 1 1 1 1 1	Needle bearing (TLA-2012Z)	H×2	
12	MA 2 5 0 1 3 1	Throat plate	H×1	
13	KC 2 2 0 6 5 0	Rotating hook bobbin case holder position bracket	H×1	
14	KF 2 2 0 2 4 0	Verlical shaft metal (Upper)	H×1	
15	HB 2 2 0 0 1 0	Rotating hook HSM-A(M2QTS)	H×1	
16	KF 2 2 0 4 2 1	Bobbin HSM(DBM)	H×1	
17	KF 2 2 0 3 0 2	Bobbin case BC-DBM (Z2)-NBL5	H×1	
18	KC 2 5 0 4 8 2	Barrel bed cover push spring	H×1	
19	HS 2 1 0 0 3 0	Barrel bed cover	H×1	
20	A 9 0 1 2 0 2 7	Butterfly nut (TH-TM-72)	H×1	
21		Hex, socket bolt M4×5		
22		Hex, socket bolt M5×6		
23	A 9 0 1 2 0 0 7	Screw (SM11/64 40×10) Cylinder	H×1	
24	KF 2 5 0 9 0 0	Throat set screw (SM11/64 40×7)	H×6	
25		Screw (SM11/64 40×5)		
26		Screw (SM11/64 40×4)		
27		Pan screw M3×6		
28	KL 2 2 0 1 2 0	Oil felt A	H×3	
29		Hex, socket bolt M8×25		
30	HB 3 2 0 0 3 0	Rotating hook shaft connecting bearing housing(middle)	1	
31	A 9 0 1 0 1 0 1	Thrust bearing (WS81104)	1	
32	A 9 0 1 0 1 0 0	Thrust bearing (AXK1104)	1	
33	A 9 0 1 0 1 0 2	Thrust bearing (GS81104)	1	
34	HH 4 8 1 9 7 0	Pulse motor connecting shaft collar	1	
35	HP 3 2 1 7 1 0	Encoder driving gear No.1	1	
36	HP 3 2 1 7 2 0	Encoder driving gear No.2	1	
37	HP 3 3 1 9 2 2	Encoder support	1	
38	KN 5 1 1 0 2 0	Position corder (for machine 051)	1	
39		Hex, socket set screw M5×6		
40		Hex, socket bolt M5×18		
41		Hex, socket set screw M4×18		
42		Hex, socket set screw M4×8		
43	A 9 0 1 4 0 5 9	Grommet MG (MG-1)	H×1	



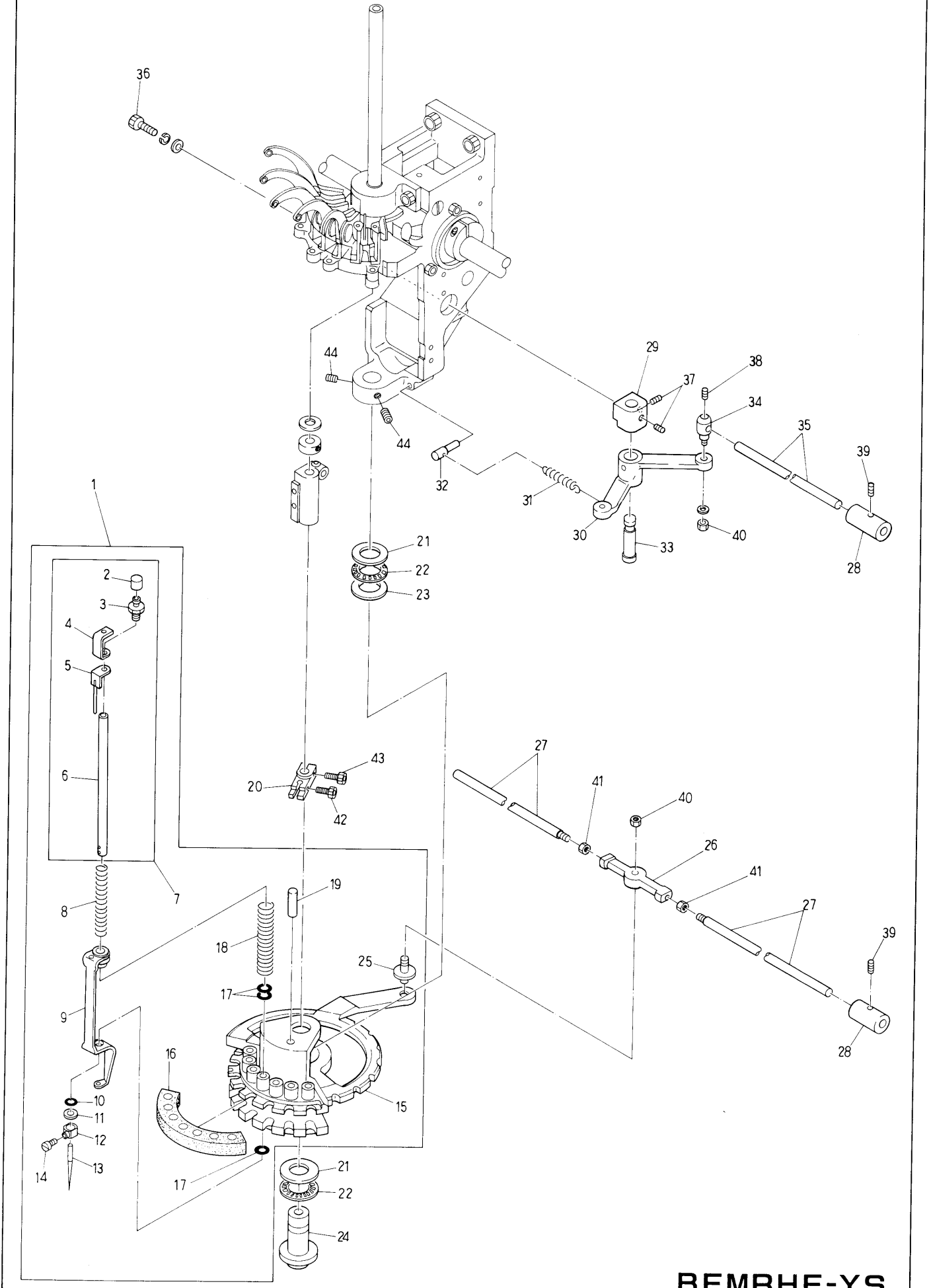
MODEL **BEMRHE-YS**
BEMSHE-YS

Barudan

⑥ Take up lever a' ssy II



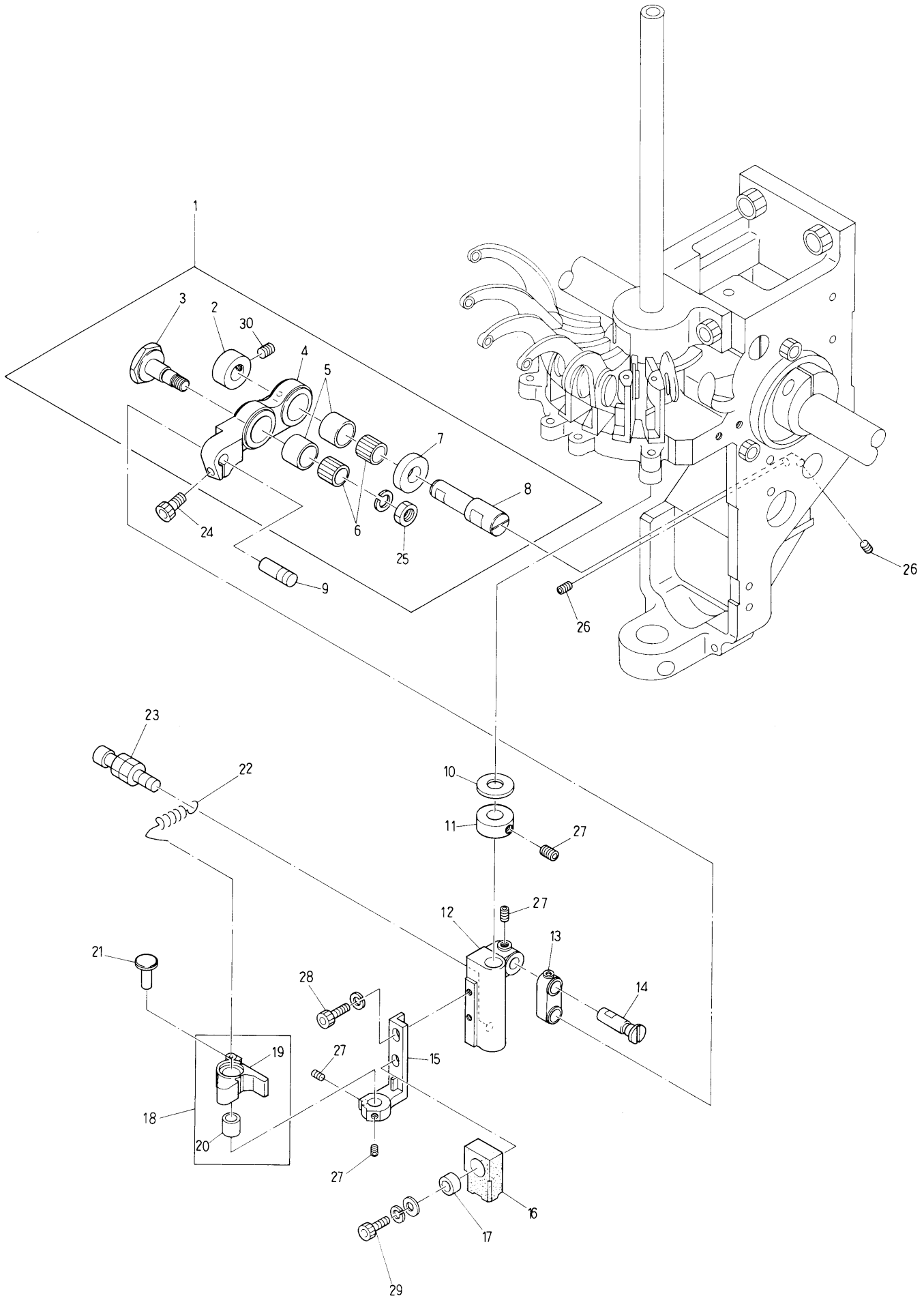
MODEL **BEMRHE-YS**
BEMSHE-YS



⑦ Needle bar a'ssy I

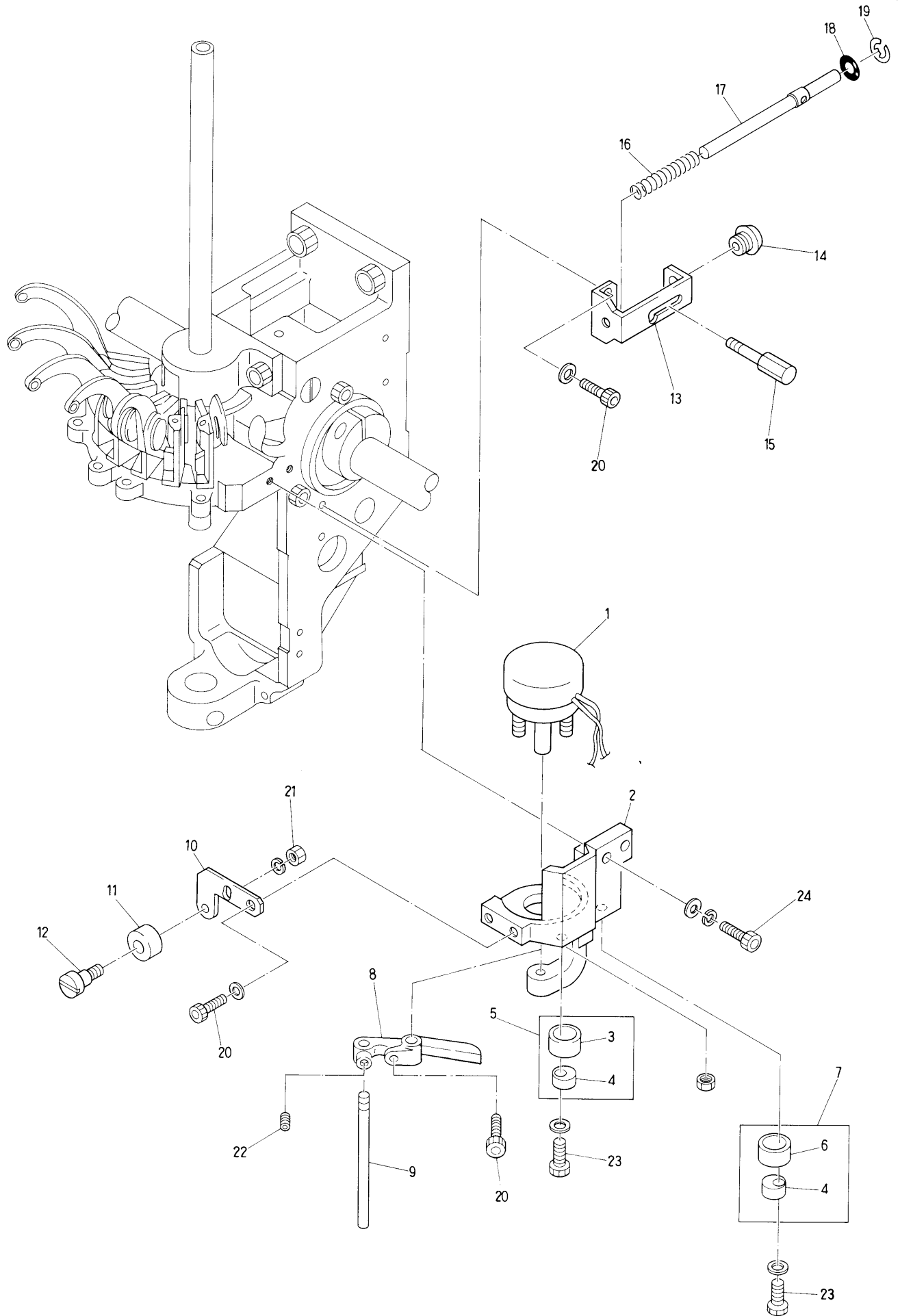
(H=Head Q'TY)

ITEM	LIST No.	DESCRIPTION	Q'TY	REMARK
1	HB230601	Turret plate a'ssy (YS)	H×1	
2	KN231350	Needle bar cap	H×7	
3	HB230531	Needle bar guide fixing screw	H×7	
4	HB230770	Plate	H×7	
5	HB230780	Needle bar guide	H×7	
6	HB230512	Needle bar	H×7	
7	HB230502	Needle bar a'ssy	H×7	
8	HB230542	Needle bar spring (Upper)	H×7	
9	KG230020	Pressure foot	H×7	
10	KF230920	O-Ring (Large)	H×7	
11	KF230930	Washer	H×7	
12	KF230230	Needle clamp	H×7	
13	KF230250	Needle (DBK5-11)	H×7	
14	KF230240	Needle clamp screw (SM9/64)	H×7	
15	HB230431	Turret plate (US)	H×1	
16	KL230111	Turret plate oil pad	H×1	
17	KF230910	O-Ring (Small)	H×21	
18	HB230720	Needle bar spring (Lower)	H×7	
19	A9012291	Parallel pin $\phi 5 \times 14 \ell$	H×1	
20	HB230170	Driving shaft fixing plate	H×1	
21	A9011023	Thrust bearing outer (GS1528)	H×2	
22	A9011021	Thrust bearing (NTB-1528)	H×2	
23	A9011022	Thrust washer (AS-1528)	H×1	
24	HB230140	Driving shaft lower metal	H×1	
25	HB230550	Turret plate joint pin	H×1	
26	A9012003	Uniball joint (RD4-020L)	1	Final head
	A9012005	Uniball joint (RD4-020N)	H×1-	1
27	KC330310520	Turret plate connecting rod (L=470)	H-1	
28	KF330381	Lock bar hand grip	2	
29	HB230180	Lock lever bracket	H×1	
30	KL230280	Lock lever	H×1	
31	KF230661	Lock lever spring	H×1	
32	KF230670	Lock lever spring pin	H×1	
33	HB230190	Lock lever shaft	H×1	
34	KF230640	Lock connecting bar clamp	H×1	
35	KC330410	Lock connecting rod (2M)	3	
36		Hex, socket bolt M8×18		
37		Hex, socket set screw M6×5		
38		Hex, socket set screw M4×6		
39		Hex, socket set screw M5×5		
40		Hex, nut M4		
41		Hex, nut M5		
42		Hex, socket bolt M3×12 (with adhesion)	H×1	
43		Hex, socket bolt M4×12 (with adhesion)	H×1	
44	A9012053	Hex, socket set screw M6×0.75×8	H×2	



Barudan

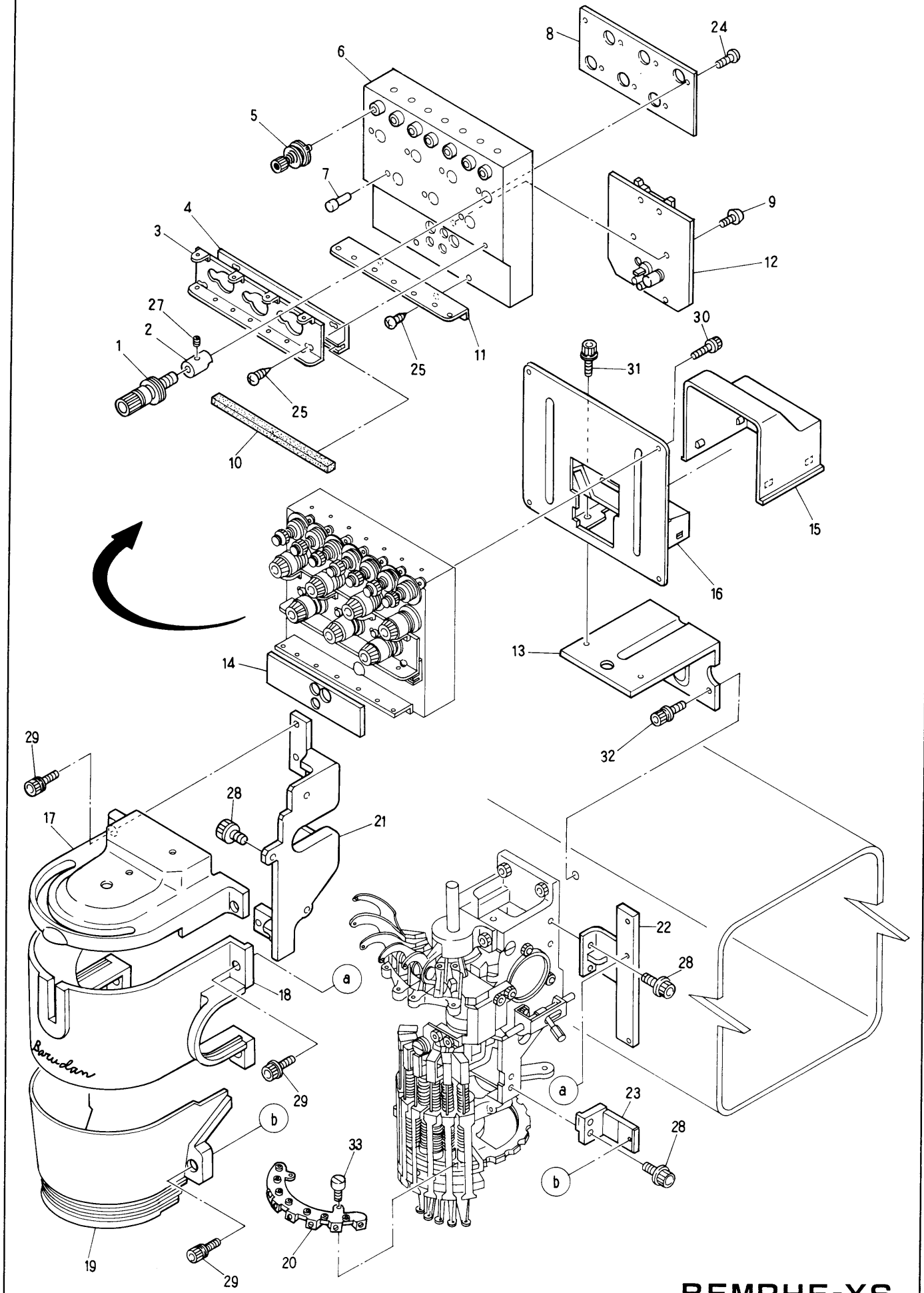
⑨ Jump a' ssy



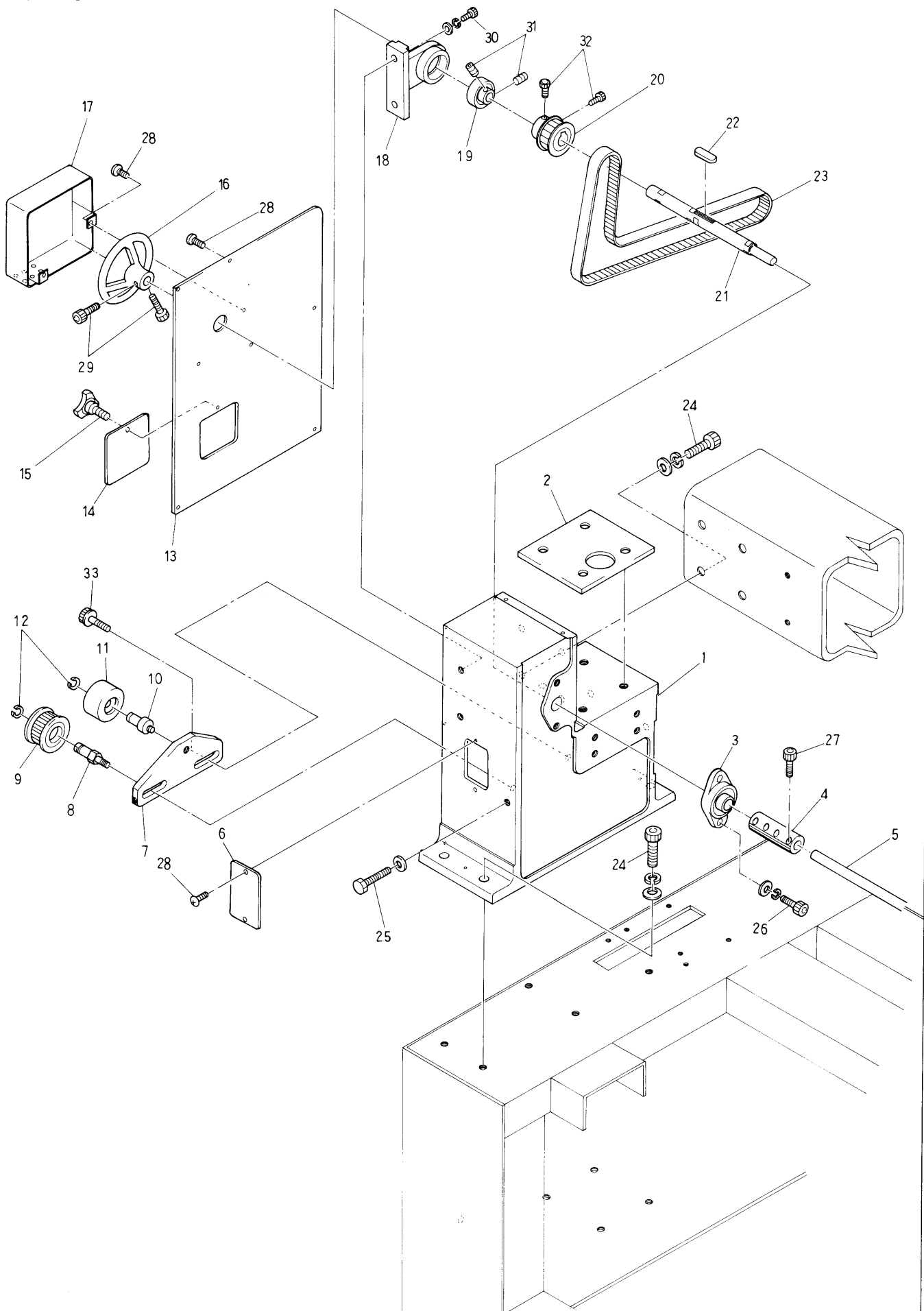
L.A.T.

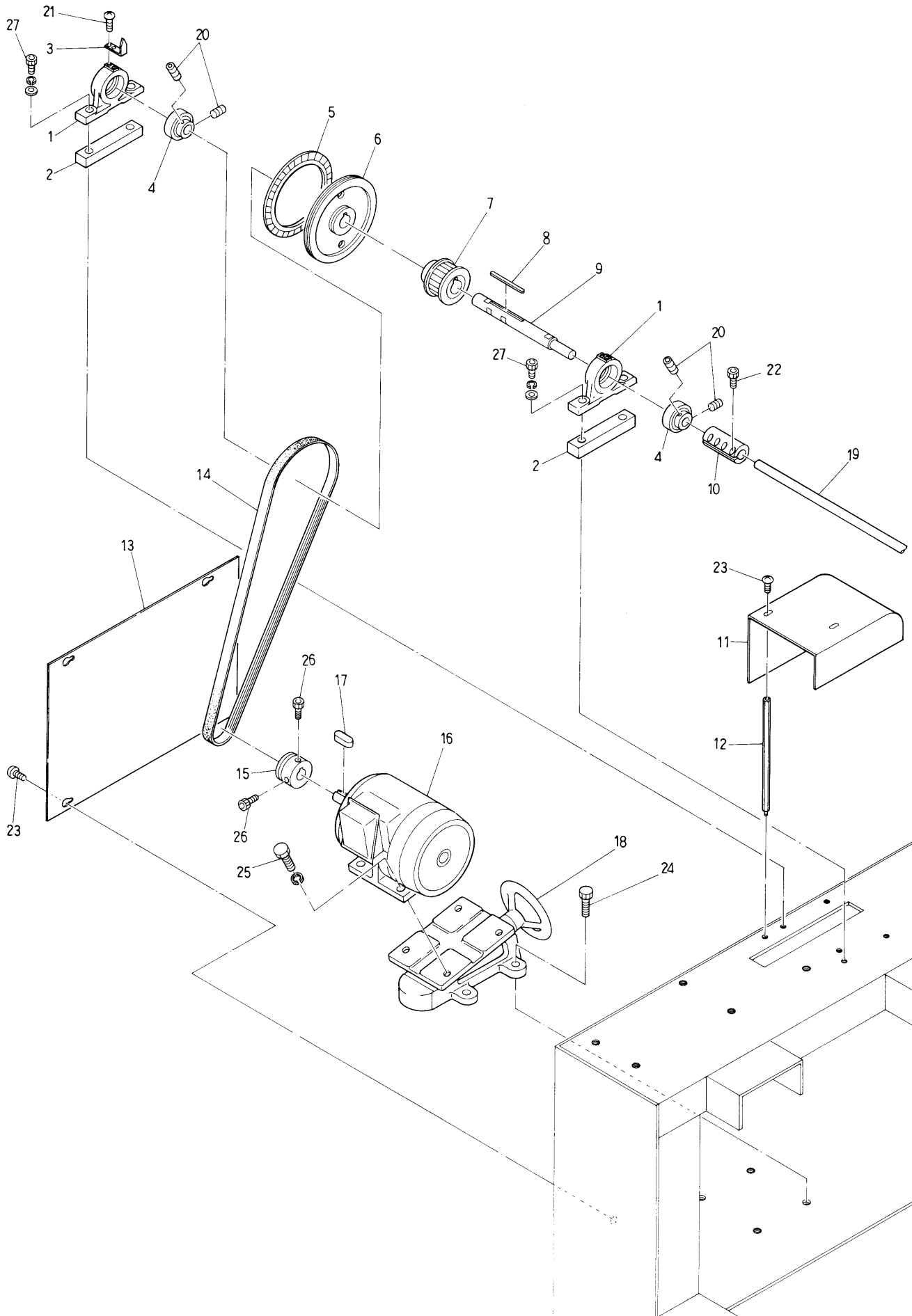
Barudan

⑩ Thread guide mechanism



MODEL **BEMRHE-YS**
BEMSHE-YS

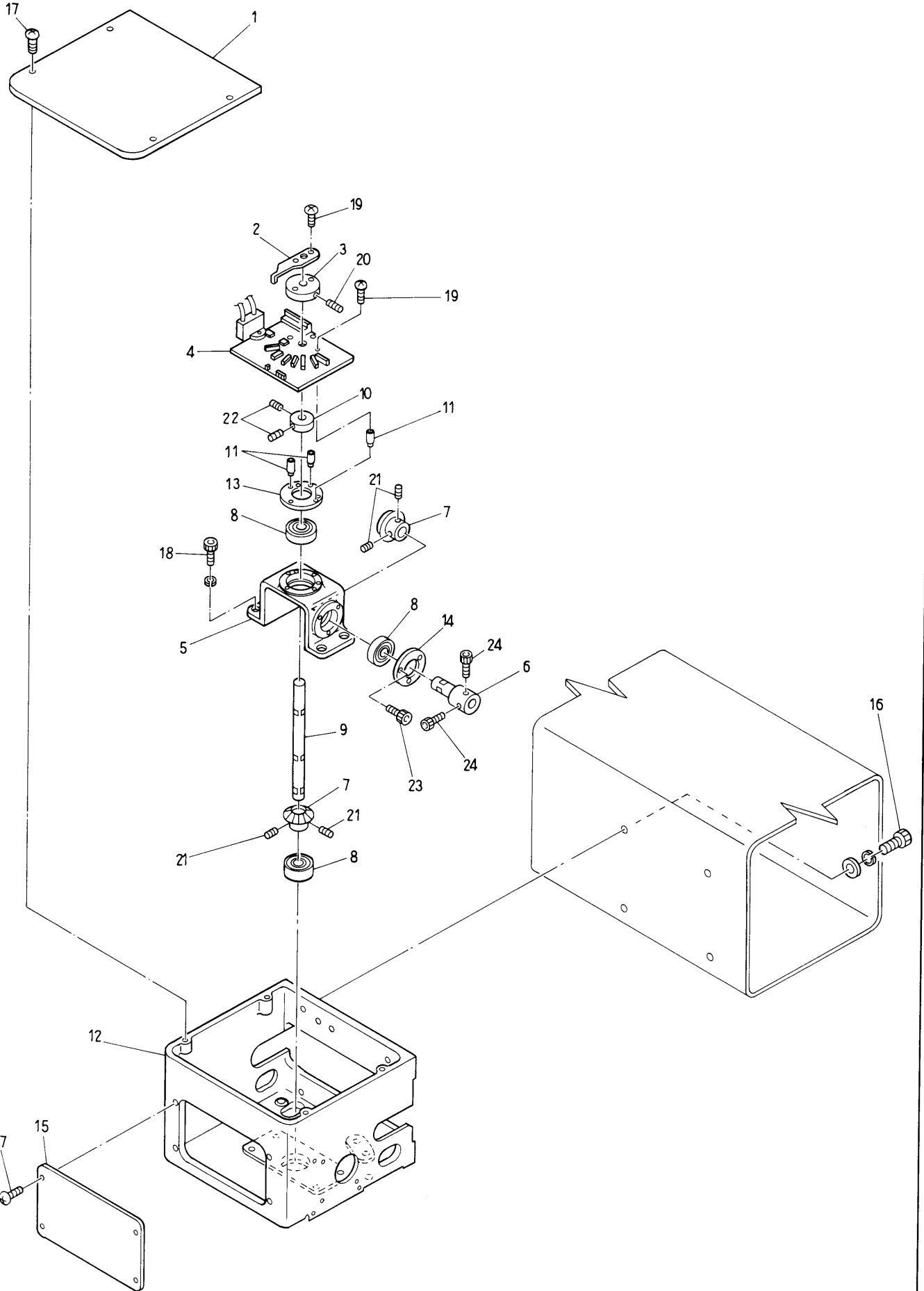




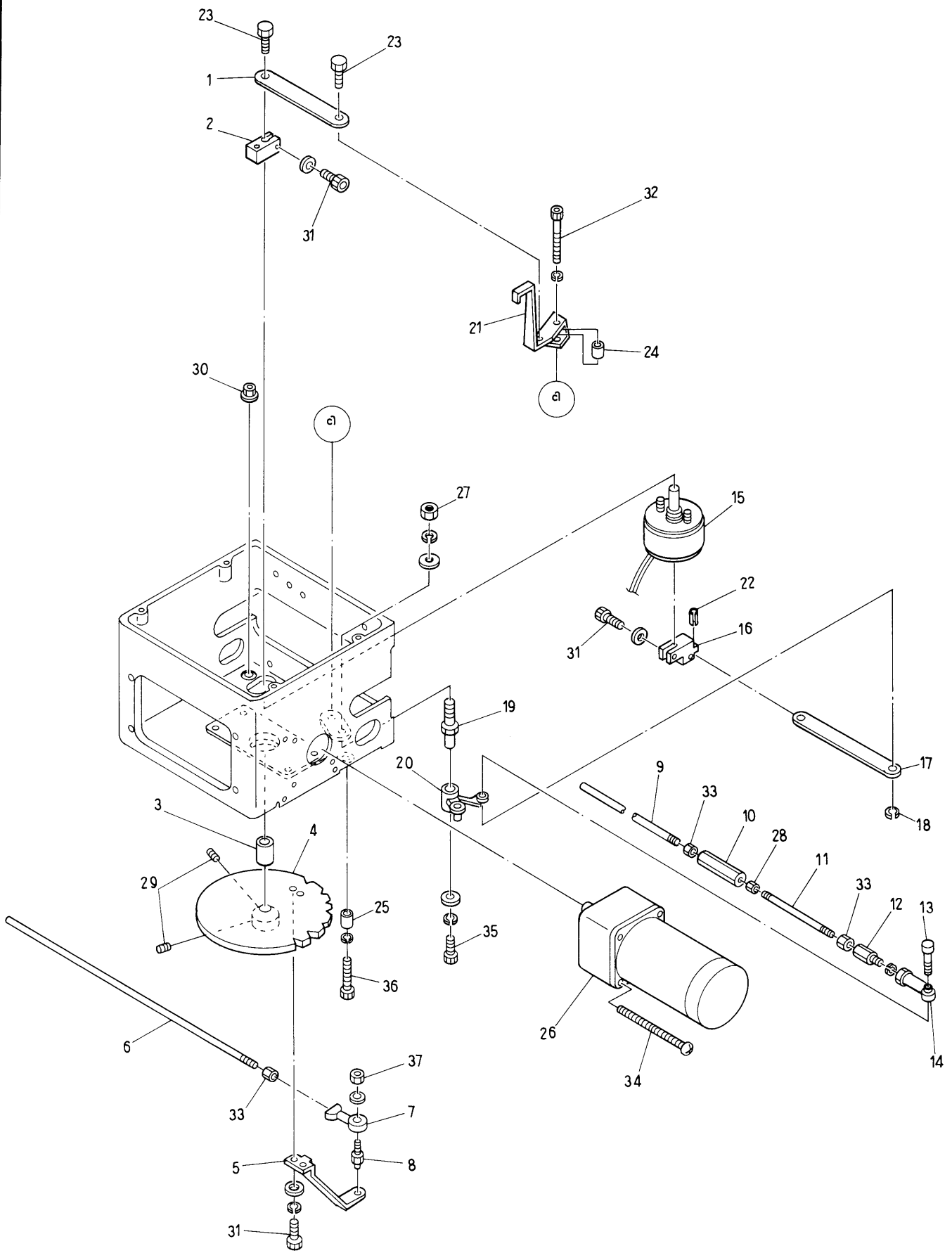
MODEL **BEMRHE-YS**
BEMSHE-YS

Barudan

⑬ Color change mechanism I

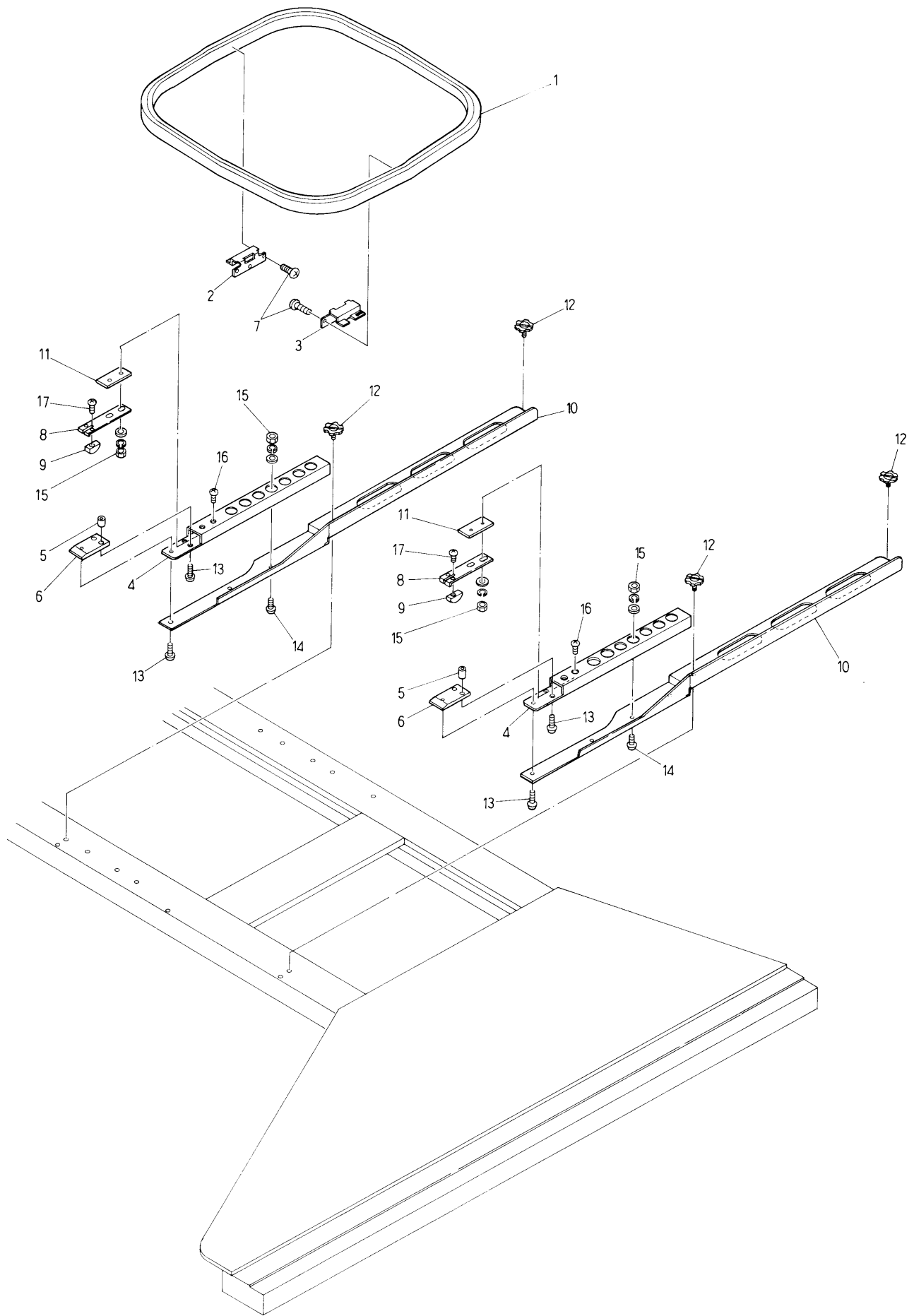


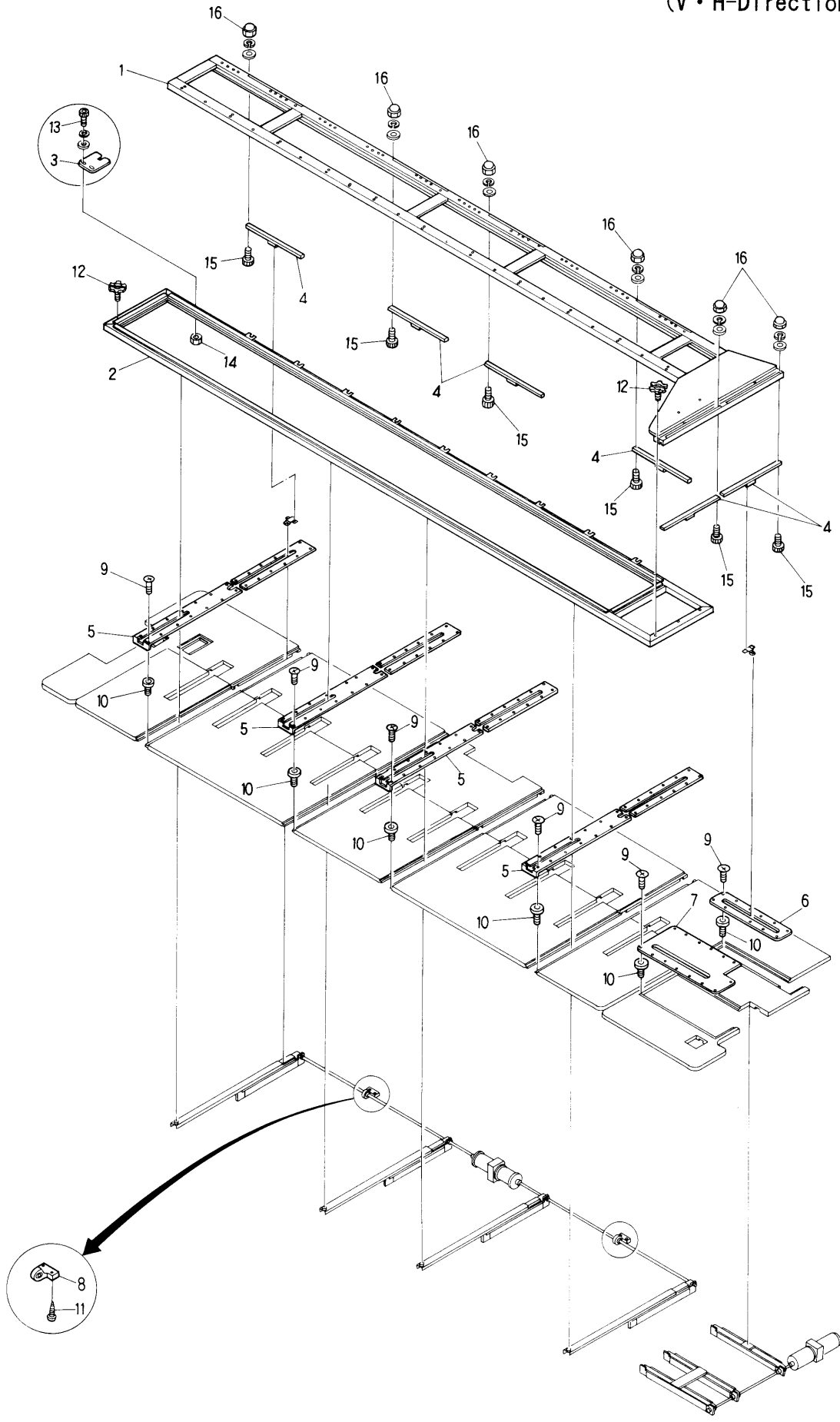
MODEL BEMRHE-YS
BEMSHE-YS

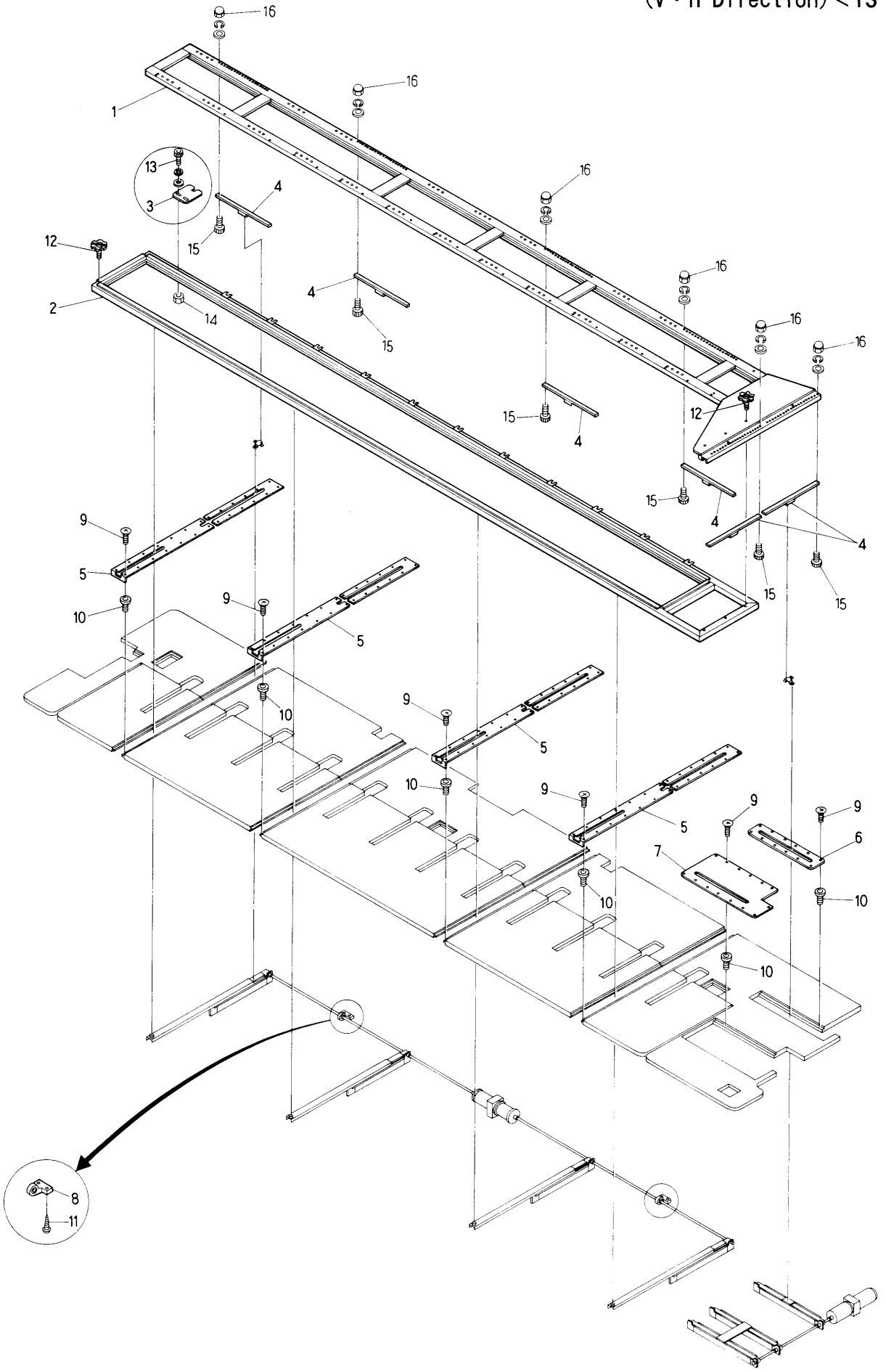


MODEL

BEMRHE-YS
BEMSHE-YS



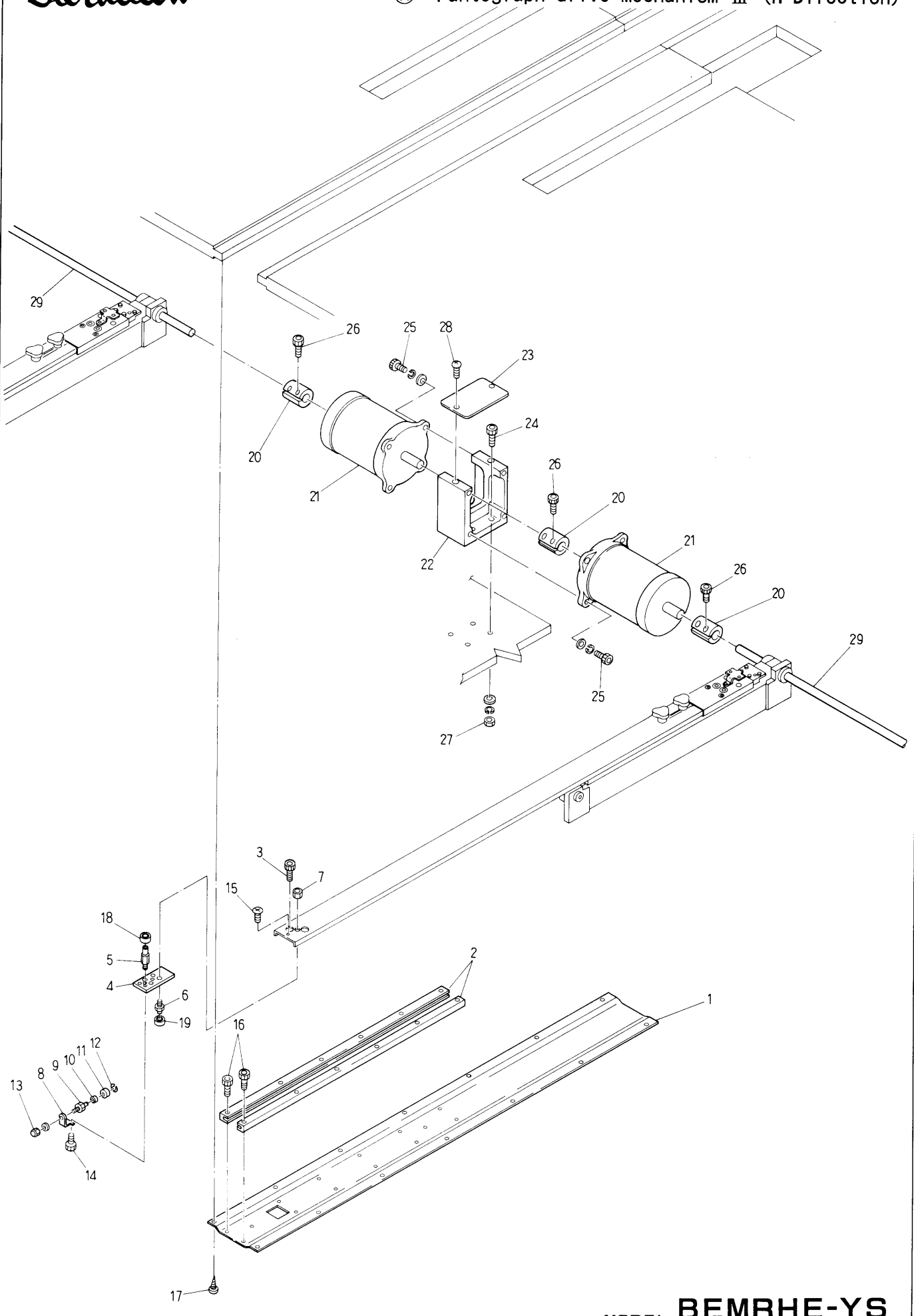




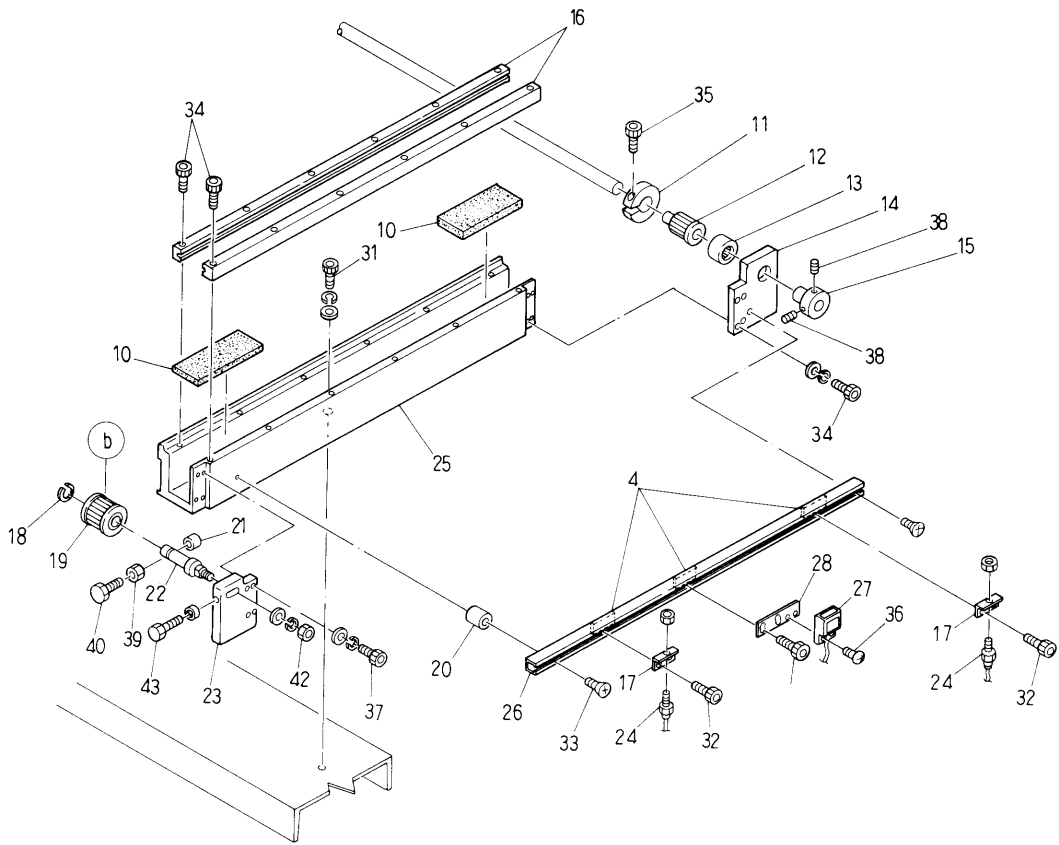
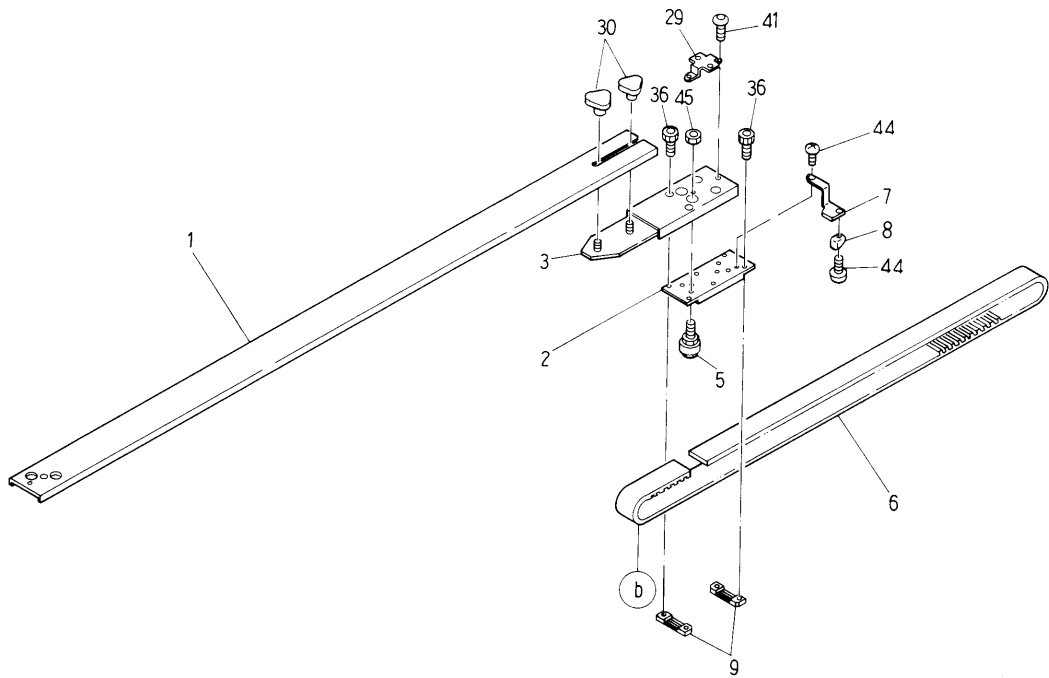
MODEL **BEMRHE-YS**
BEMSHE-YS

Barudan

17 Pantograph drive mechanism III (H-Direction)

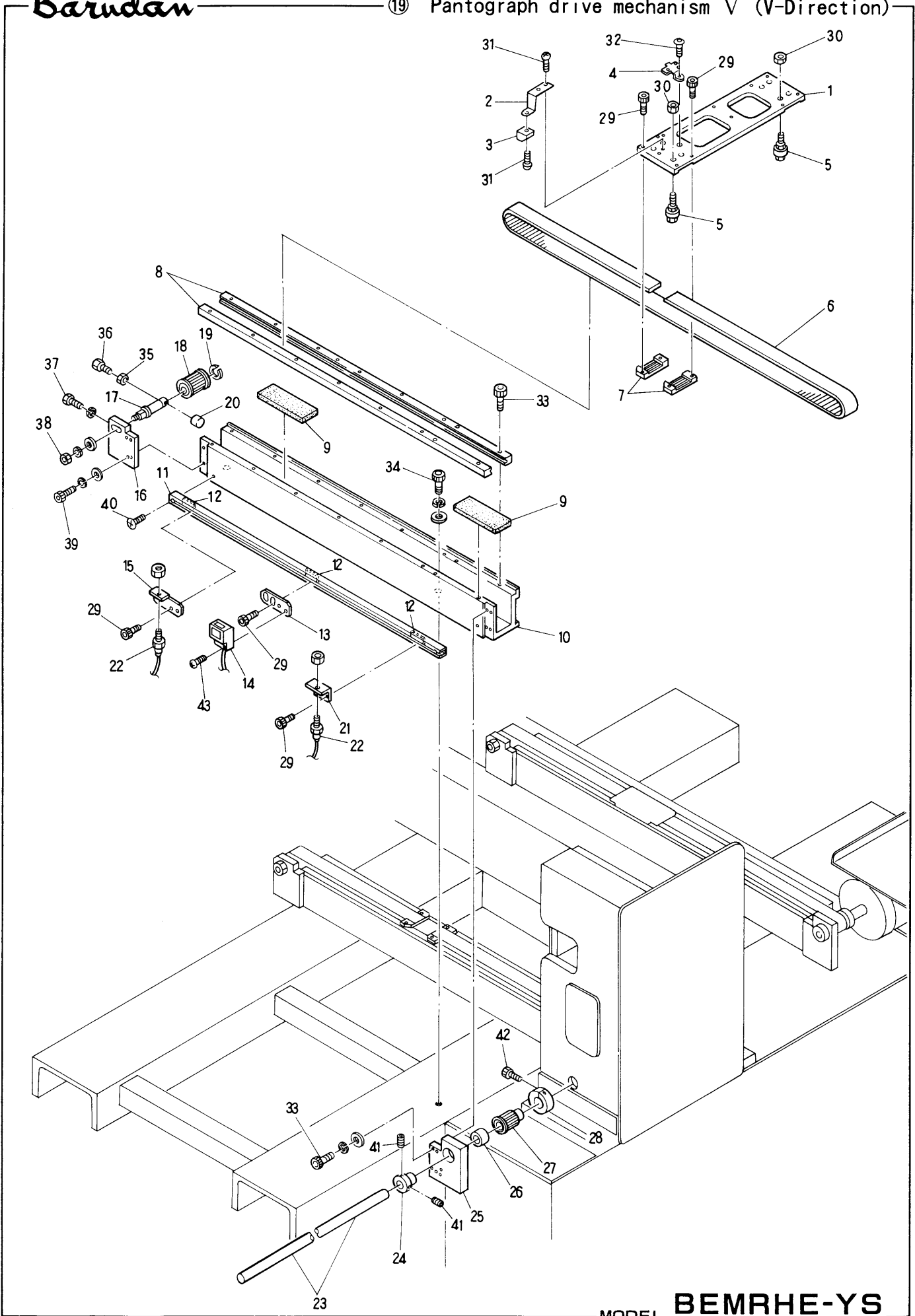


MODEL **BEMRHE-YS**
BEMSHE-YS



⑱ Pantograph drive mechanism IV (H-Direction)

ITEM	LIST No.	DESCRIPTION	Q'TY	REMARK
1	HS 4 8 0 0 5 1	H-Member connections channel (Front)(Stroke 450)	4	
2	HS 4 8 0 0 0 0	H-Roller base (Rear)(BEMSHE)	4	
3	HS 4 8 0 0 6 1	H-Member connections channel (BEMSHE-YS)	4	
4	KU 4 6 0 2 7 0	Plate nut (M3)	3	
5	HP 4 8 2 9 5 0	Roller pin a'ssy A	16	
6	A 9 0 2 0 0 9 8	Timing belt (300S5M2000)	4	
7	HP 4 5 1 0 8 0	H-Pantograph magnet bracket	1	
8	A 9 0 5 2 0 3 0	Magnet (M-102A-02)	1	
9	HP 4 8 2 9 4 0	Timing belt rack (5M)	8	
10	KN 4 8 0 0 6 1	Rail base felt (100×38×6)	8	
11	HH 4 8 1 9 8 0	Clamping φ19	4	
12	HP 4 8 2 9 9 0	Pantograph driving pulley (Rear)(S5M)	4	
13	A 9 0 1 1 0 6 3	Needle bearing (TLA2016)	4	
14	HH 4 8 2 0 1 1	H-Guide rear pulley bracket	4	
15	HH 4 8 1 9 7 0	Pulse motor connecting shaft collar	4	
16	HP 4 8 2 9 1 0	V-Guide rail (L=1060)	8	
17	MT 4 6 0 2 4 0	RS-001 Bracket	2	
18	A 9 0 1 2 0 5 2	E-Ring (φ10)	4	
19	HP 4 8 2 9 8 0	Pantograph driving pulley (Front)(S5M)	4	
20	A 9 0 1 2 2 1 9	Spacer 8×7	1	
21	HH 4 8 2 1 1 0	Pulley shaft bolt cap	4	
22	HH 4 8 1 9 9 1	Timing pulley shaft	4	
23	HS 4 8 0 2 8 0	H-Guide front pulley bracket (BEMSHE)	4	
24	A 9 0 5 2 0 2 4	Switch (RS-001)	2	
25	HS 4 8 0 0 9 0	H-Guide rail base (Stroke 450)	4	
26	HP 4 5 1 1 1 G 4 5	H-Origin rail (Stroke 450)	1	
27	A 9 0 5 2 0 3 1	Magnet proximity switch (MH-601A)	1	
28	KN 4 5 0 3 0 0	Proximity switch (MH-601A) fixing bracket	1	
29	HS 4 6 0 0 9 0	H-pantograph driving rail fixing bracket	4	
30	A 9 0 1 2 2 3 8	Knob nut KT-N M5	8	
31		Hex, socket bolt M8×25		
32		Hex, socket bolt M3×8		
33		Flush screw M4×6		
34		Hex, socket bolt M4×15		
35		Hex, socket bolt M5×18		
36		Hex, socket bolt M4×6		
37		Hex, socket bolt M4×18		
38		Hex, socket set screw M5×8		
39		Hex, nut M4		
40		Hex, bolt M4×40		
41		Hex, socket button bolt M4×6		
42		Hex, nut M8		
43		Hex, bolt M4×25		
44		Truss screw M3×6		
45		Hex, nut M5		



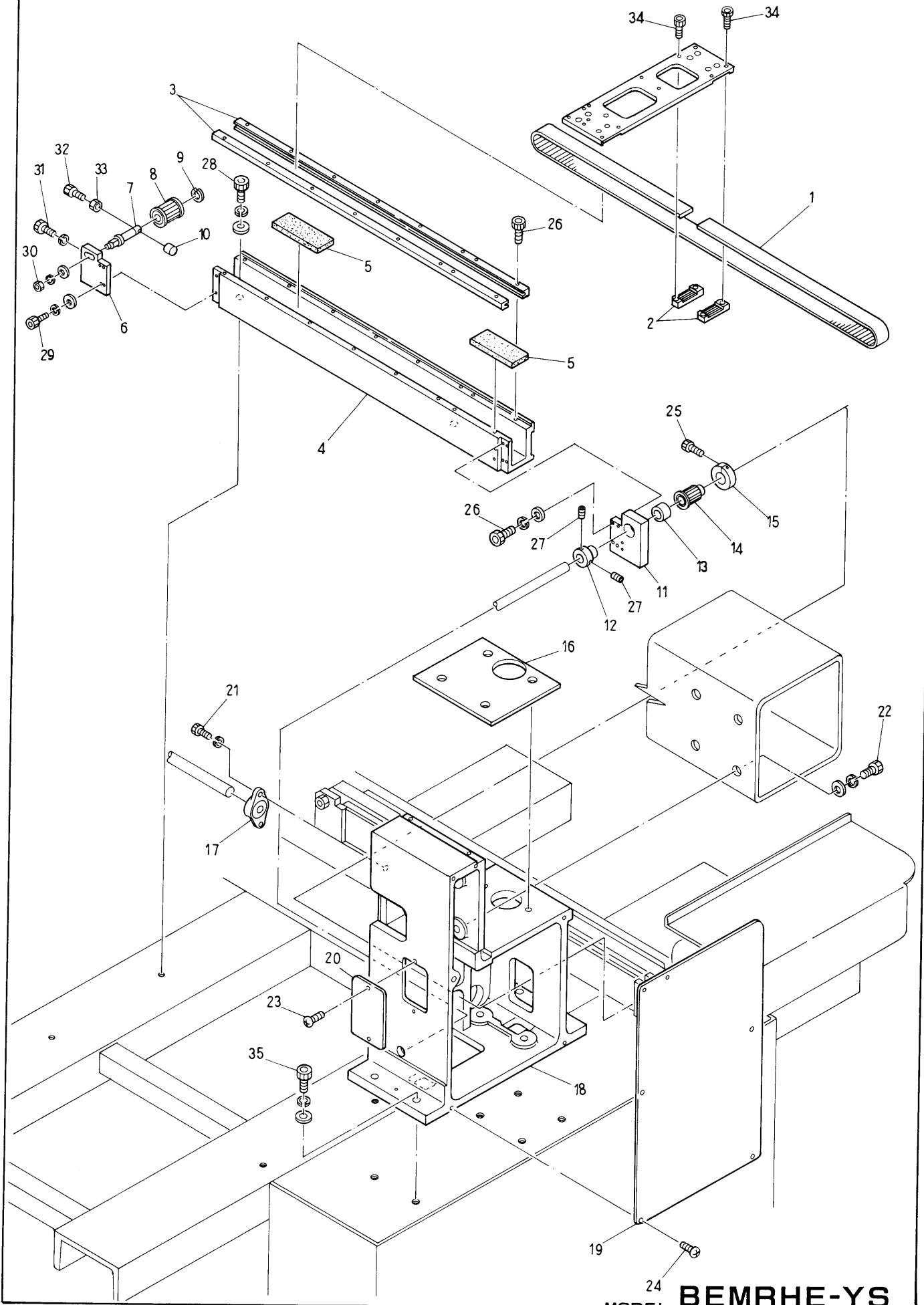
MODEL **BEMRHE-YS**
BEMSHE-YS

①9 Pantograph drive mechanism V (V-Direction)

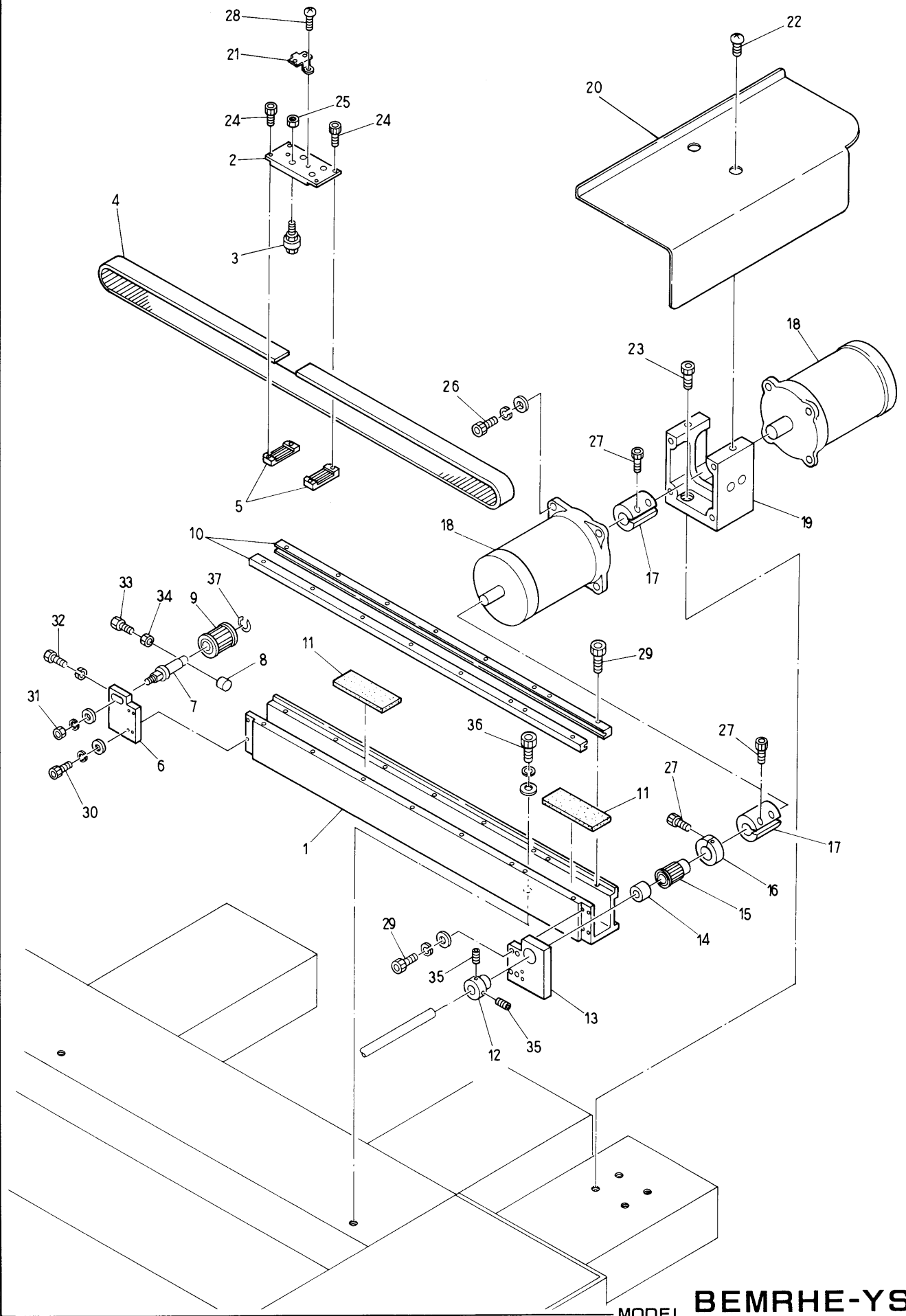
ITEM	LIST No	DESCRIPTION	QTY	REMARK
1	HS 4 8 0 0 2 0	V-Roller base (LM Guide)	1	
2	HP 4 5 1 1 0 0	V-Origin magnet bracket	1	
3	A 9 0 5 2 0 3 0	Magnet M-102A-02	1	
4	HS 4 6 0 1 0 0	V-pantograph driving rail fixing bracket	1	
5	HP 4 8 2 9 5 0	Roller pin a'ssy A	8	
6	A 9 0 2 0 0 9 8	Timing belt (300S5M2000)	1	
7	HP 4 8 2 9 4 0	Timing belt rack (5M)	2	
8	HP 4 8 2 9 1 0	V-Guide rail (L=1060)	2	
9	KN 4 8 0 0 6 1	Rail base felt (100×38×6)	2	
10	HP48217G520	V-Guide rail base (Stroke 520)	1	
11	HP45112G520	V-Origin rail (V520)	1	
12	KU 4 6 0 2 7 0	Plate nut (M3)	3	
13	KN 4 5 0 3 0 0	Proximity switch (MH-601A) fixing bracket	1	
14	A 9 0 5 2 0 3 1	Magnet proximity switch (MH-601A)	1	
15	HS 4 8 0 2 6 0	RS-001 bracket (V-L)	1	
16	HH 4 8 2 0 0 0	H-Guide front pulley bracket	1	
17	HH 4 8 1 9 9 1	Timing pulley shaft	1	
18	HP 4 8 2 9 8 0	Pantograph driving pulley (Front)(S5M)	1	
19	A 9 0 1 2 0 5 2	E-Ring (φ10)	1	
20	HH 4 8 2 1 1 0	Pulley shaft bolt cap	1	
21	MT 4 6 0 2 4 0	RS-001 bracket (V)	1	
22	A 9 0 5 2 0 2 4	Switch RS-001	2	
23		V-Pulse motor shaft φ15	1	
24	HH 4 8 1 9 7 0	Pulse motor coupling shaft collar	1	
25	HH 4 8 2 0 1 1	H-Guide rear pulley bracket	1	
26	A 9 0 1 1 0 6 3	Needle bearing (TLA 2016)	1	
27	HP 4 8 2 9 9 0	Pantograph driving pulley (Rear)(S5M)	1	
28	HH 4 8 1 9 8 0	Clamping φ19	1	
29		Hex, socket bolt M3×6		
30		Hex, nut M5		
31		Truss screw M3×6		
32		Hex, socket button bolt M4×6		
33		Hex, socket bolt M4×15		
34		Hex, socket bolt M8×25		
35		Hex, nut M4		
36		Hex, bolt M4×40		
37		Hex, bolt M4×25		
38		Hex, nut M8		
39		Hex, socket bolt M4×18		
40		Flush screw M4×6		
41		Hex, socket set screw M5×8		
42		Hex, socket bolt M5×18		
43		Truss screw M3×10		

Барудан

20 Pantograph drive mechanism VI (V-Direction)



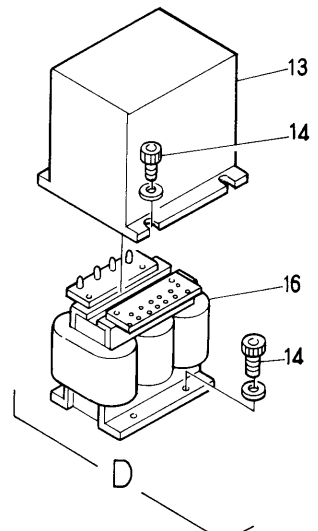
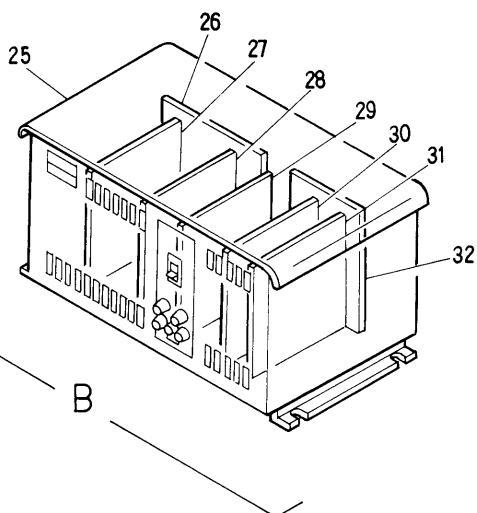
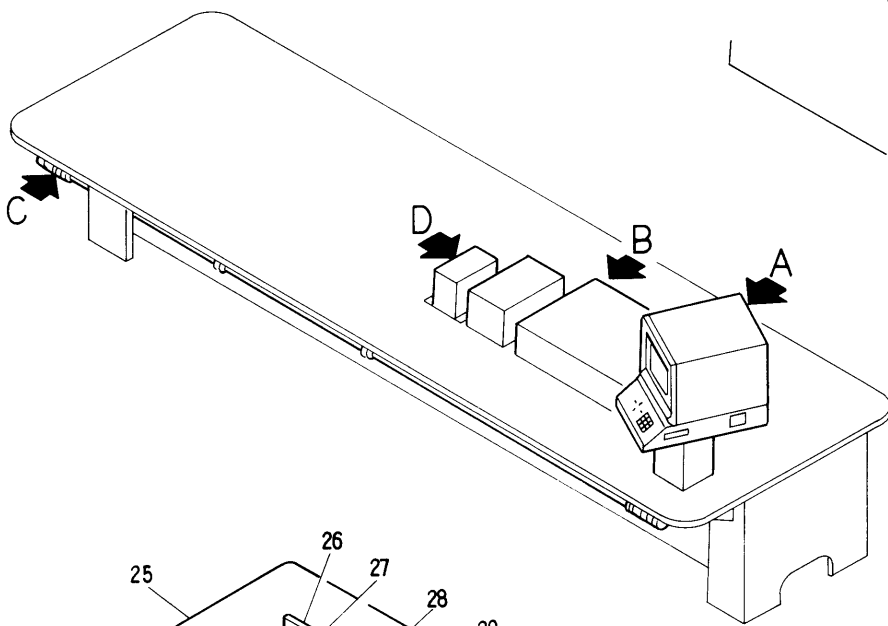
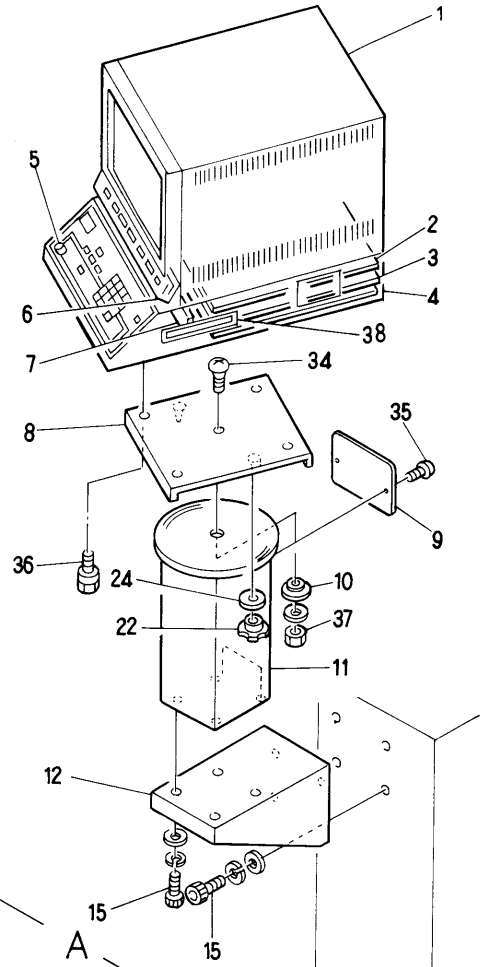
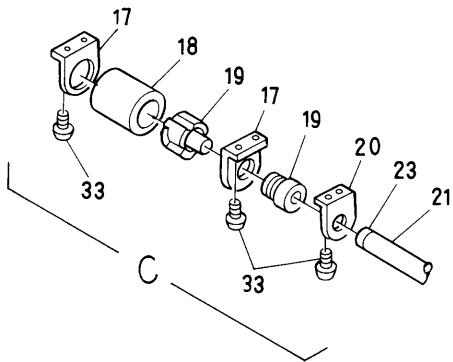
MODEL **BEMRHE-YS**
BEMSHE-YS



MODEL BEMRHE-YS
BEMSHE-YS

②1 Pantograph drive mechanism VII (V-Direction)

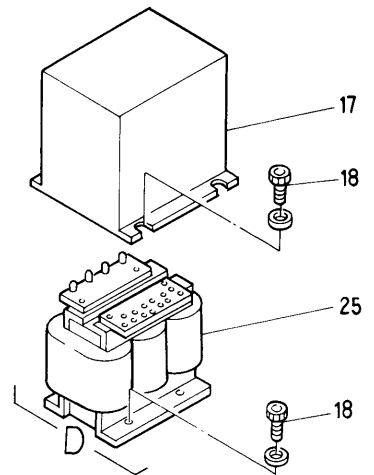
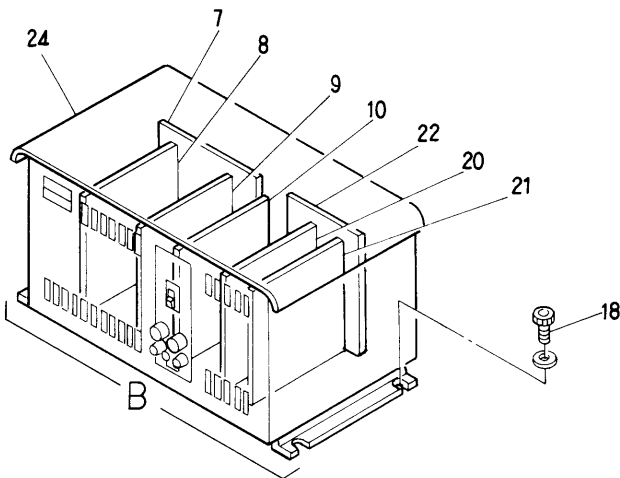
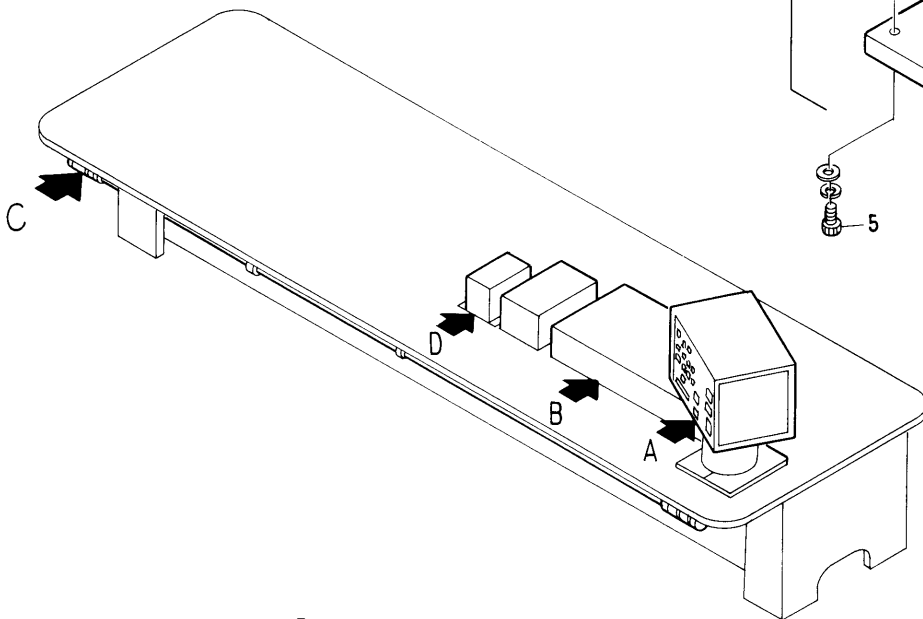
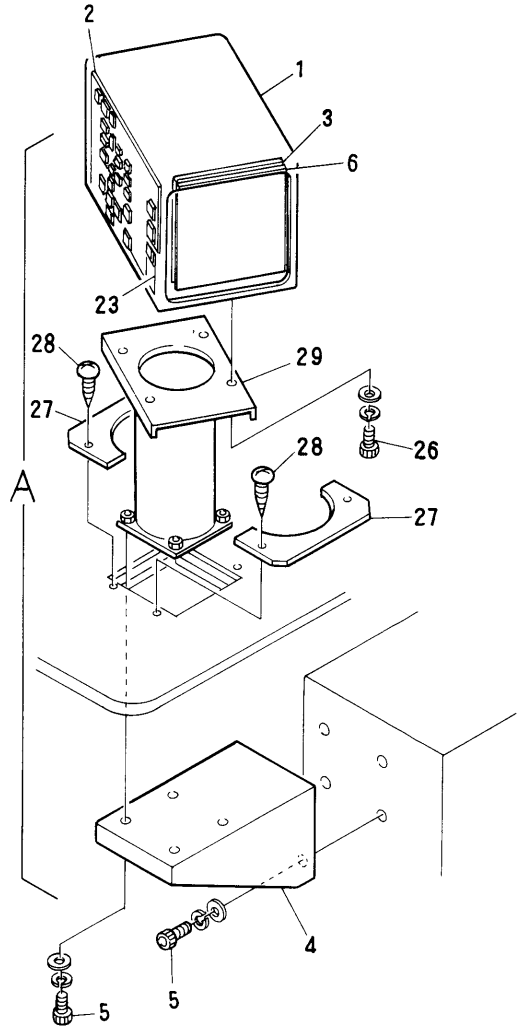
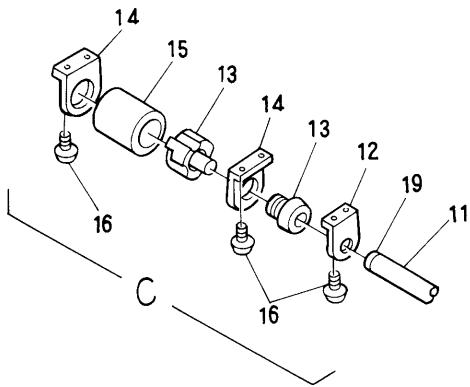
ITEM	LIST No	DESCRIPTION	Q'TY	REMARK
1	HS 4 8 0 2 5 0	V-Guide rail base R (Stroke 520)	1	
2	HS 4 8 0 0 1 0	V-Roller base (Rear) (BEMSHE)	1	
3	HP 4 8 2 9 5 0	Roller pin a'ssy A	4	
4	A 9 0 2 0 0 9 8	Timing belt (300S5M2000)	1	
5	HP 4 8 2 9 4 0	Timing belt rack (5M)	2	
6	HH 4 8 2 0 0 0	H-Guide front pulley bracket	1	
7	HH 4 8 1 9 9 1	Timing pulley shaft	1	
8	HH 4 8 2 1 1 0	Pulley shaft bolt cap	1	
9	HP 4 8 2 9 8 0	Pantograph driving pulley (Front)(S5M)	1	
10	HP 4 8 2 9 1 0	V-Guide rail (L=1060)	2	
11	KN 4 8 0 0 6 1	Rail base felt (100×38×6)	2	
12	HH 4 8 1 9 7 0	Pulse motor coupling shaft collar	1	
13	HH 4 8 2 0 1 1	H-Guide rear pulley bracket	1	
14	A 9 0 1 1 0 6 3	Needle bearing (TLA2016)	1	
15	HP 4 8 2 9 9 0	Pantograph driving pulley (Rear)(S5M)	1	
16	HH 4 8 1 9 8 0	Clamping ϕ 19	1	
17	HH 4 8 1 9 3 1	Pulse motor coupling	2	
18	HH 4 8 1 9 0 0	Pulse motor (4M)	2	
19	HH 4 8 1 9 1 1	H-Pulse motor bracket	1	
20	HS 3 1 0 0 4 0	Table R, Rear cover (BEMSHE)	1	
21	HS 4 6 0 1 0 0	V-Pantograph driving rail fixing bracket	1	
22		Truss screw M8×12		
23		Hex, socket bolt M8×30		
24		Hex, socket bolt M3×6		
25		Hex, nut M5		
26		Hex, socket bolt M6×25		
27		Hex, socket bolt M5×18		
28		Hex, socket button bolt M4×6		
29		Hex, socket bolt M4×15		
30		Hex, socket bolt M4×18		
31		Hex, nut M8		
32		Hex, bolt M4×25		
33		Hex, bolt M4×40		
34		Hex, nut M4		
35		Hex, socket set screw M5×8		
36		Hex, socket bolt M8×25		
37	A 9 0 1 2 0 5 2	E-Ring (ϕ 10)	1	



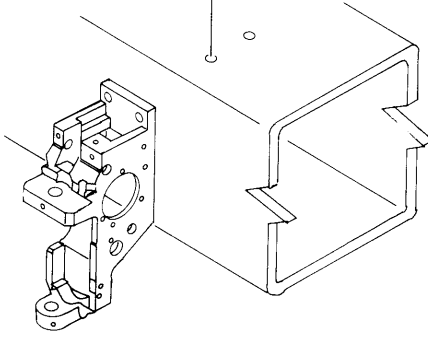
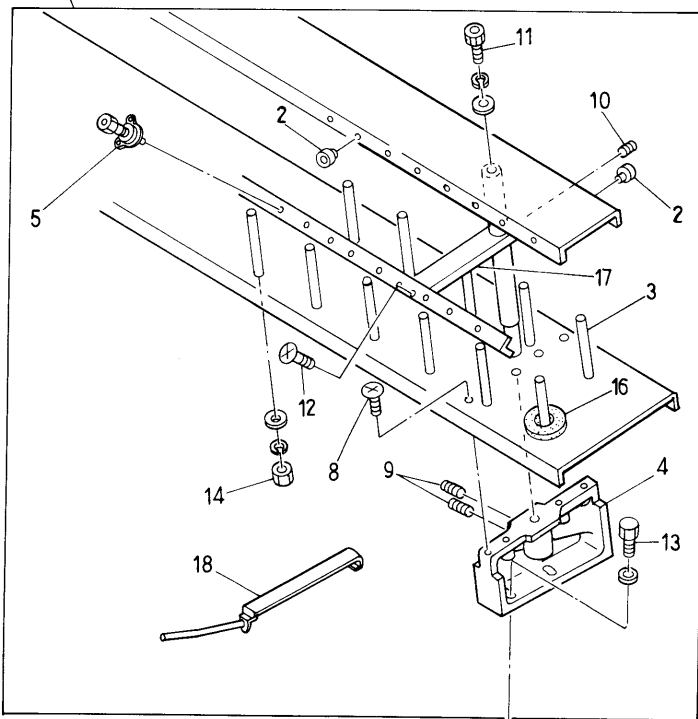
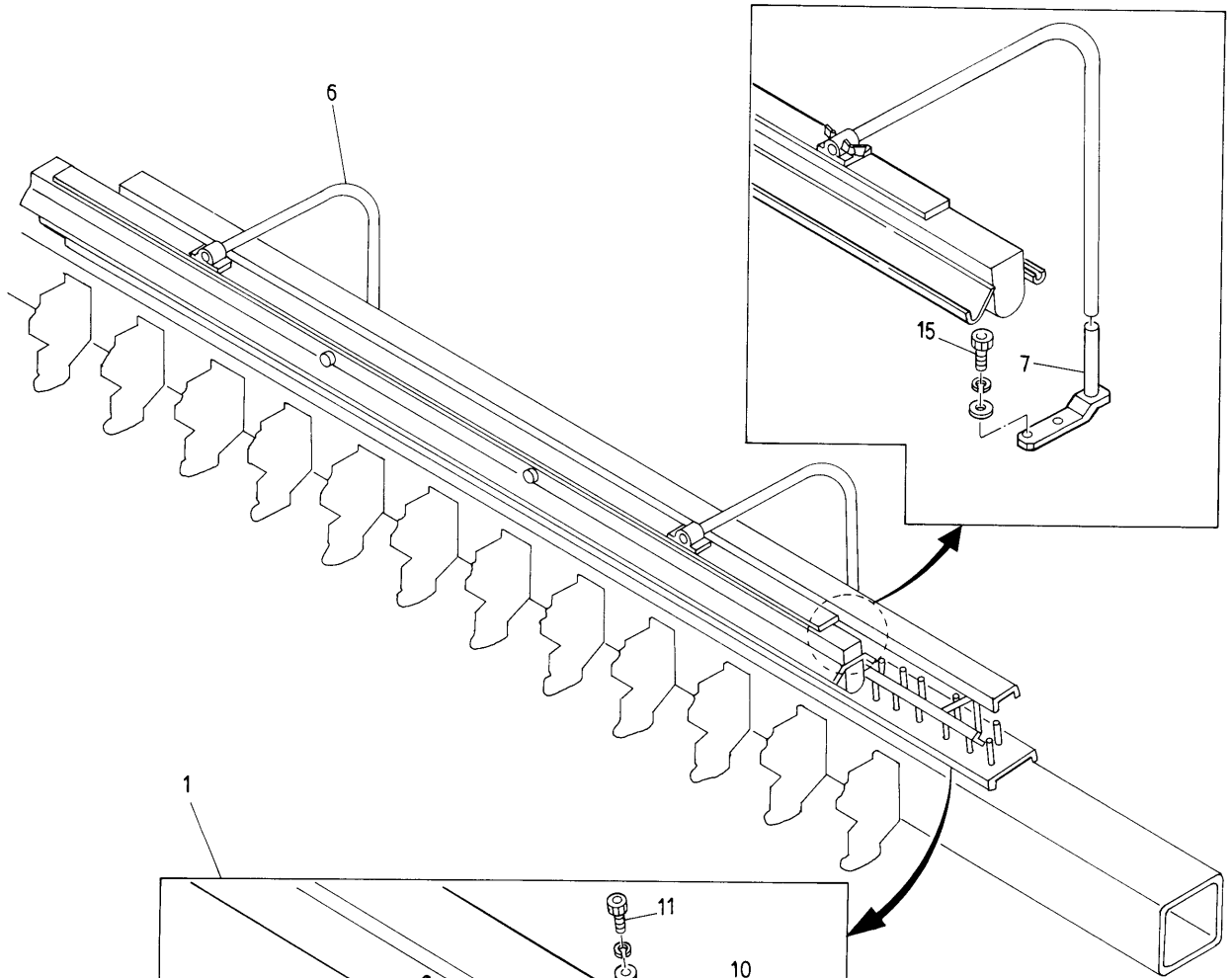
MODEL BEMRHE-YS
BEMSHE-YS

②Control system <BEMRHE-YS>

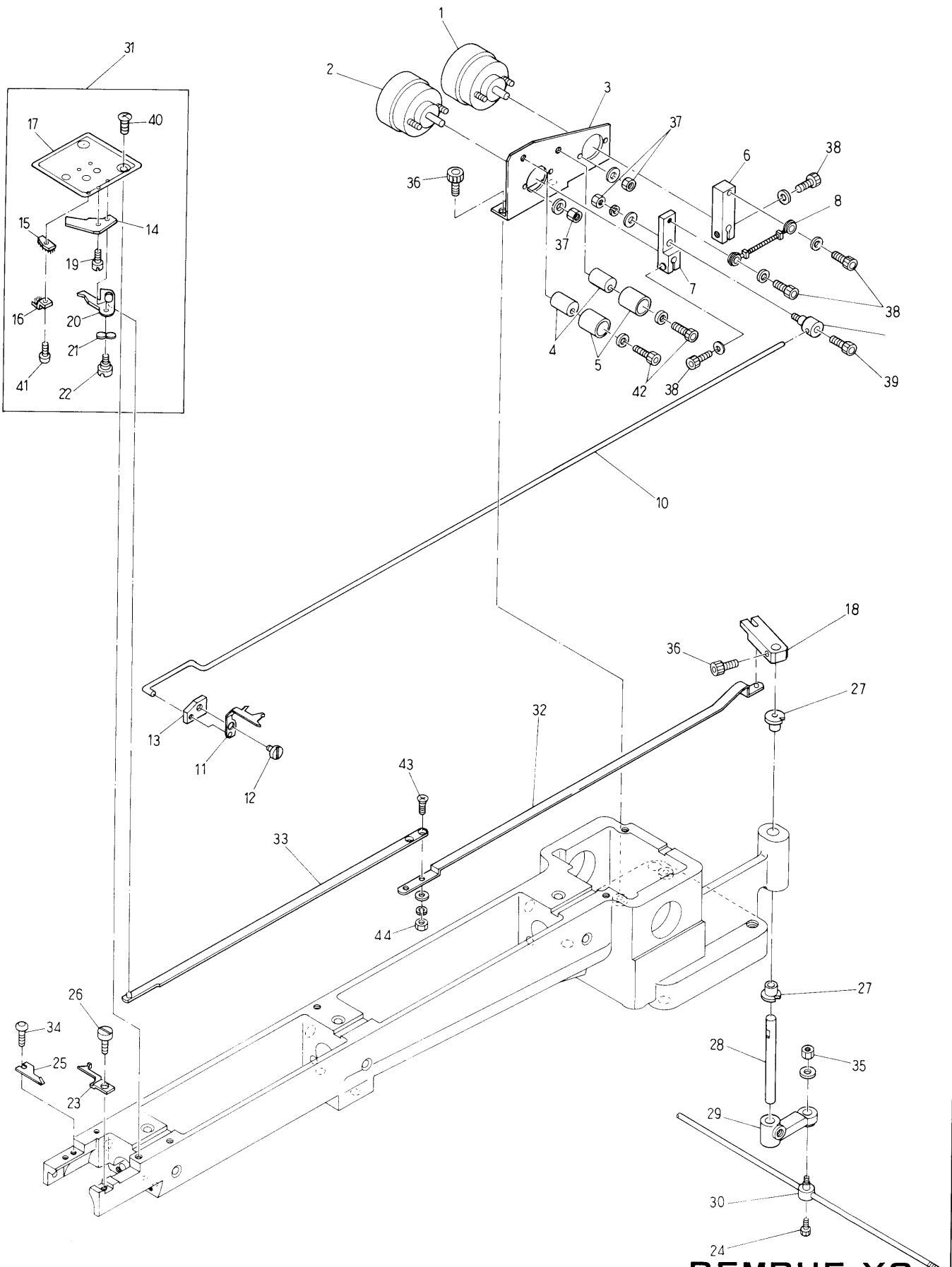
ITEM	LIST No.	DESCRIPTION	Q'TY	REMARK
1	EAY017A1	Automat contrller (BEMR)	1	
2	EBY00450	4410 CPU board	1	
3	EBY00460	4420 Memory board	1	
4	EBY00470	4430 FDSP board	1	
5	EBY00490	4450 Buzzer board	1	
6	EBY00500	4460 Switch board	1	
7	EBY00480	4440 B/B·L board	1	
8	HP512350	Controller rotary base	1	
9	HP512341	Controller stand cover	1	
10	HP512330	Controller rotary base	1	
11	HP512310	Controller stand	1	
12	HP512320	Controller stand stay	1	
13	KC520020	Transformer cover set	1	
14		Hex, socket bolt M6×30		
15		Hex, socket bolt M8×20		
16	EAY018A3	Automat transformer 1P (BEMR)	1	
	EAY017A3	Automat transformer 3P (BEMR)	1	
17	KC530230	Bar switch bracket (L)	4	
18	KF530150	Push button switch cap	2	
19	KF530111	Push button switch MS319 (Red)	1	
	KF530120	Push button switch MS319 (Green)	1	
20	KC530240	Bar switch bracket (S)	5	
21	KF530160	Bar switch	1	
22		Knob nut M6		
23	KF530170	Bar switch cap	2	
24		Washer 6		
25	EAY017A2	Automat driver (BEMR)	1	
26	EBY00570	4590 B/B·L board	1	
27	EBY00540	4540 Pulse motor controller board	1	
28	EBY00530	4530 Inverter board	1	
29	EBY00550	4560 Power control board	1	
30	EBY00520	4520 Solenoid board	1	
31	EBY00510	4510 Inter face board	1	
32	EBY00560	4580 B/B·R board	1	
33		Pan tapping screw M4×20		
34		Flush screw M8×20		
35		Truss screw M4×10		
36		Hex, socket bolt with spring washer M6×12		
37		Hex, nut M8		
38	EBY00630	Floppy disk drive (FD-1137C)	1	



MODEL BEMRHE-YS
BEMSHE-YS



MODEL **BEMRHE-YS**
BEMSHE-YS



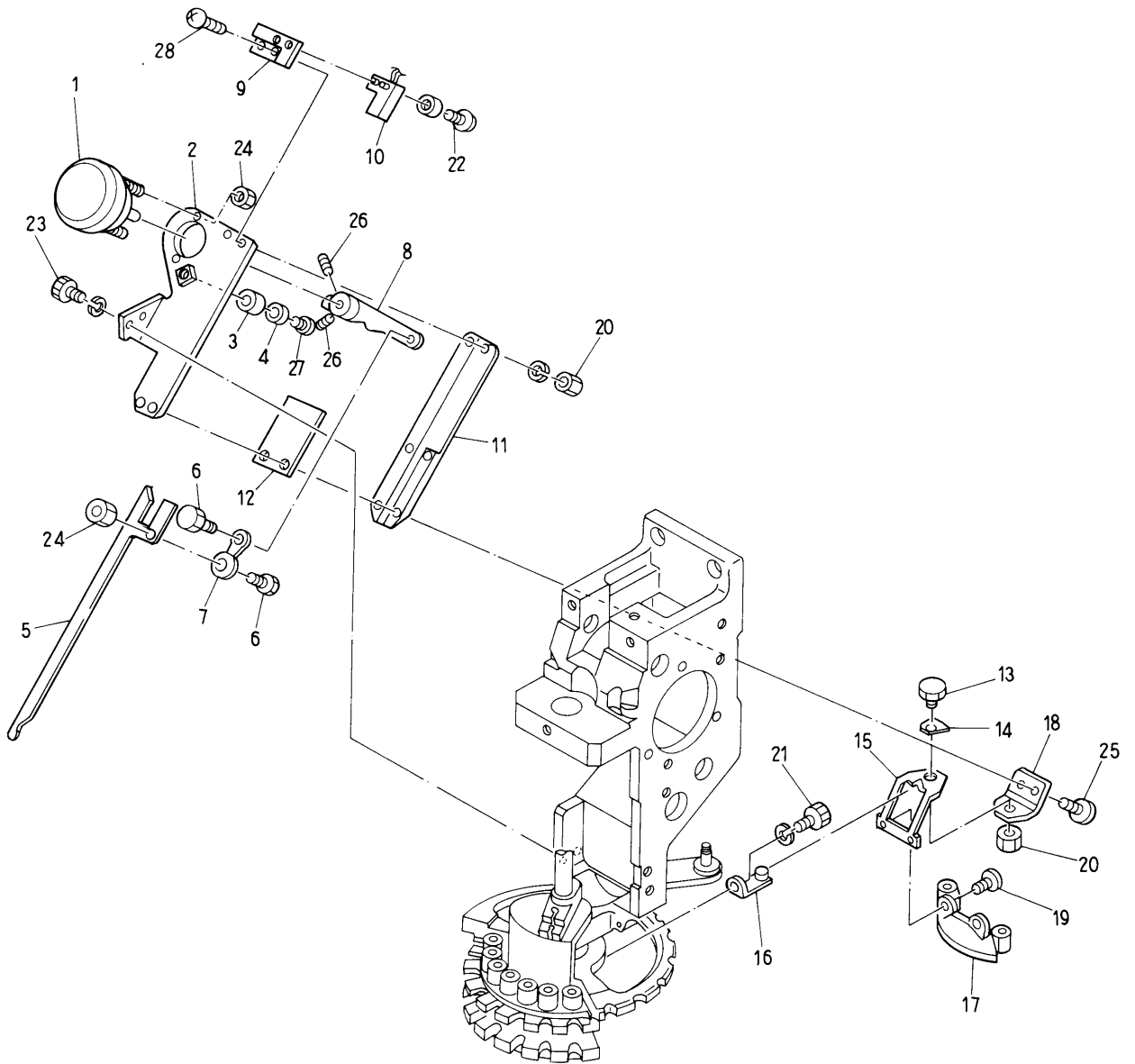
MODEL

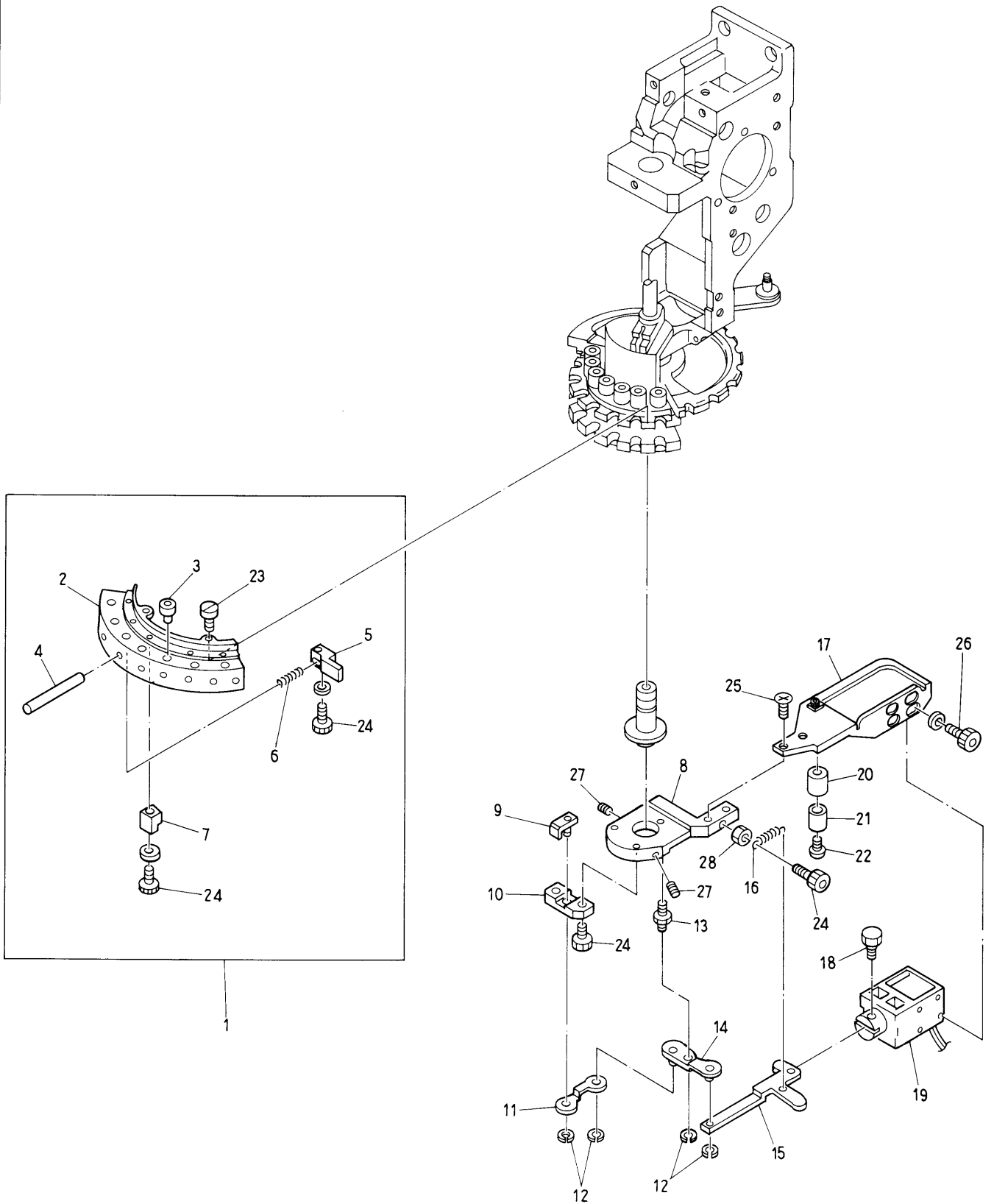
BEMRHE-YS
BEMSHE-YS

②4 Thread cutting mechanism I

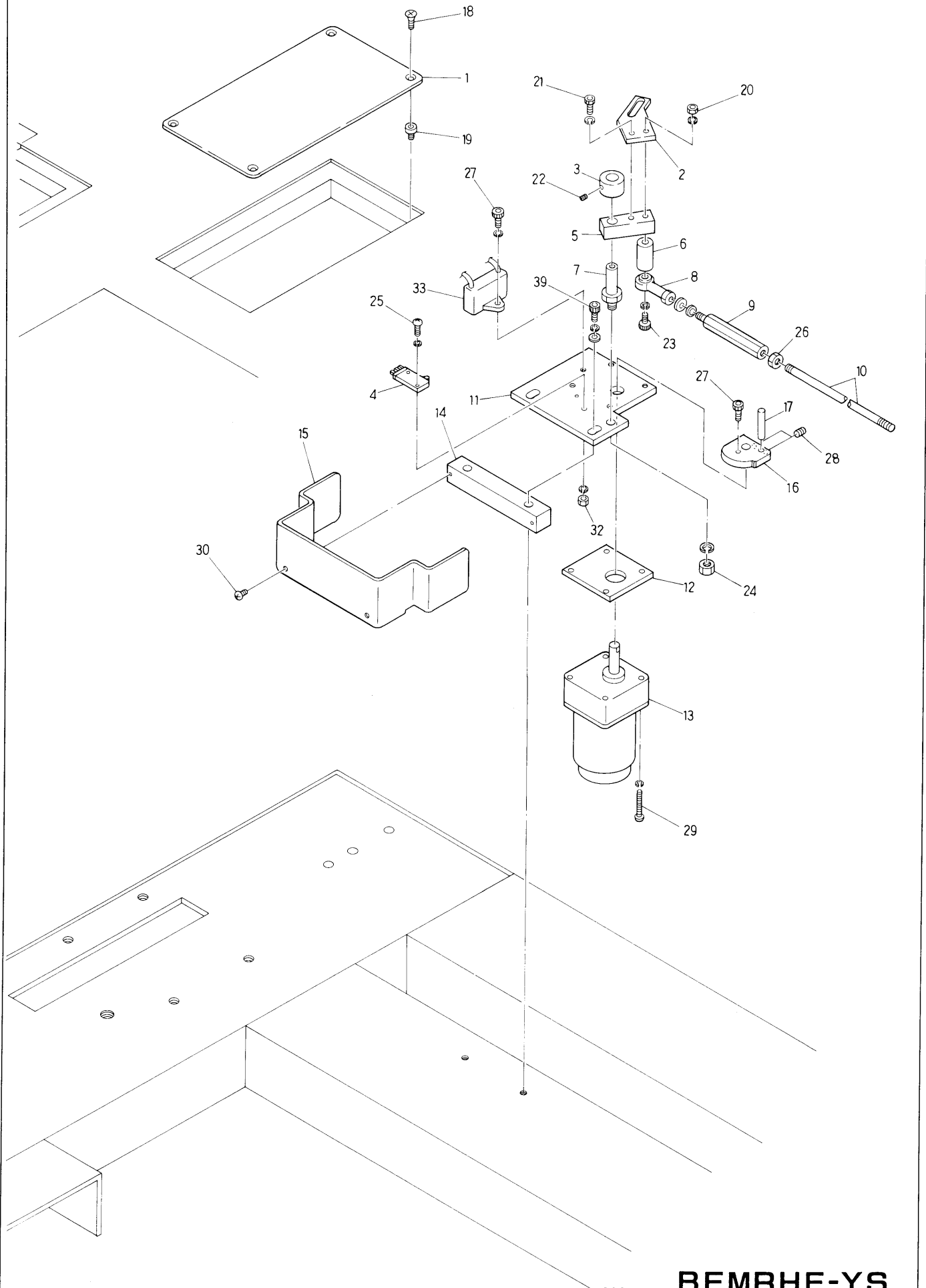
(H=Head Q'TY)

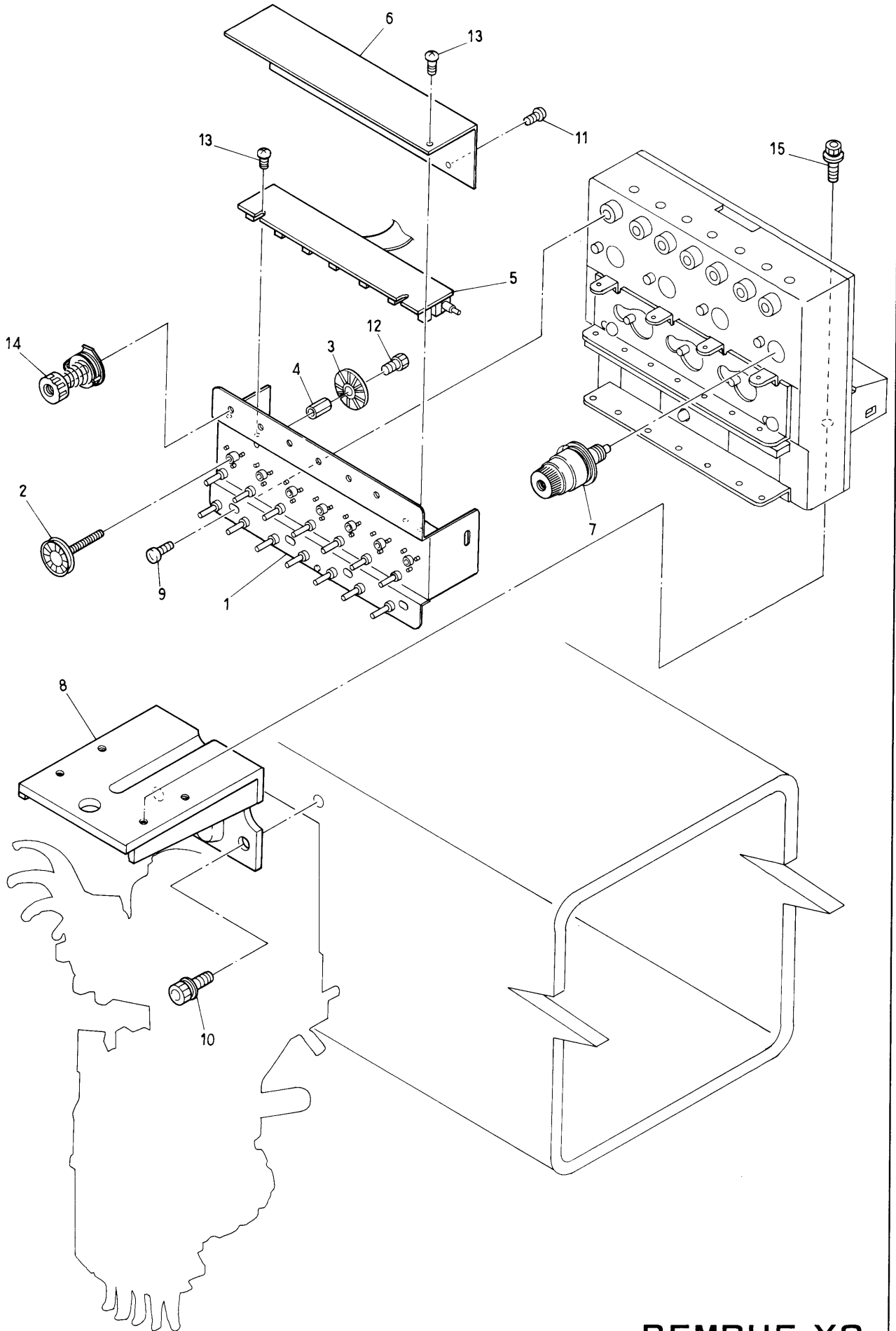
ITEM	LIST No.	DESCRIPTION	Q'TY	REMARK
1	A 9 0 5 6 0 1 2	Rotary solenoid (3EL25 33×3×8×9)	H×1	
2	A 9 0 5 6 0 0 8	Rotary solenoid (3EL25 35×3×8×9)	H×1	
3	HS 2 1 0 0 6 0	Solenoid stay	H×1	
4	KN 2 7 1 6 5 1	Eccentric stopper	H×2	
5	KN 2 7 1 6 6 1	Eccentric cover	H×2	
6	KC 2 7 1 9 5 0	Solenoid lever B	H×1	
7	KC 2 7 1 9 4 0	Solenoid lever A	H×1	
8	KL 2 7 0 3 6 0	Drive rope	H×1	
9	HS 2 1 0 0 8 0	Connecting clamp	H×1	
10	HS 2 1 0 0 7 0	Hook drive rod	H×1	
11	HS 2 1 0 1 4 2	Hook	H×1	
12	KC 2 7 1 0 0 1	Upper knife turning shaft	H×1	
13	HS 2 1 0 0 5 0	Stay	H×1	
14	KC 2 7 0 9 6 0	Fixed knife	H×1	
15	KN 2 7 1 2 2 0	Lower thread support stay (Upper) CMP	H×1	
16	KN 2 7 1 1 9 0	Lower thread support stay (lower) CMP	H×1	
17	KL 2 7 0 3 8 0	Throat plate	H×1	
18	HS 2 1 0 1 0 0	Lower knife driving lever (Upper)	H×1	
19	KC 2 7 0 9 8 0	Set screw (fixing knife)	H×1	
20	KC 2 7 0 9 5 0	Lower knife	H×1	
21	A 9 0 1 3 0 4 5	Wave washer (WW5)	H×1	
22	KC 2 7 0 9 7 0	Lower knife turning shaft	H×1	
23	KC 2 2 0 6 4 2	Rotating hook bobin case holder position bracket	H×1	
24		Hex, socket bolt M4×8		
25	KB 2 7 0 0 1 0	Upper knife	H×1	
26	A 9 0 1 2 0 0 7	Screw (SM11/64 40×10) Cylinder	H×1	
27	A 9 0 1 1 1 7 3	DU bush (MB0606-12FDU)	H×2	
28	HS 2 1 0 0 9 0	Knife lever turning shaft	H×1	
29	KN 2 7 1 5 6 0	Knife lever	H×1	
30	MT 2 7 2 5 0 0	Connecting bar clamp	H×1	
31	KL 2 7 0 3 9 0	Throat plate a'ssy	H×1	
32	HS 2 1 0 1 2 0	Lower knife driving rod B	H×1	
33	HS 2 1 0 1 1 0	Lower knife driving rod A	H×1	
34		Hex, socket button bolt M3×6		
35		Hex, nut M4		
36		Hex, socket bolt M4×8		
37		Hex, nut M3		
38		Hex, socket bolt M4×10		
39		Hex, socket bolt M3×5		
40		Flush screw M3×3		
41		Pan screw M3×3		
42		Hex, socket bolt M4×18		
43	HB 2 3 0 6 5 0	Flush screw (with adhesion)	H×1	
44		Hex, nut M3		





MODEL **BEMRHE-YS**
BEMSHE-YS





MODEL BEMRHE-YS
BEMSHE-YS

I N D E X

LIST No.	PAGE No.	ITEM	LIST No.	PAGE No.	ITEM
1AHS1052052045H	3	2	A 9 0 1 2 0 5 1	2 1	1 9
1AHS1252052045H	5	2	A 9 0 1 2 0 5 2	4 1	1 8
1BHS1052052045H	3	1 2	A 9 0 1 2 0 5 2	4 3	1 9
1BHS1252052045H	5	1 2	A 9 0 1 2 0 5 2	4 5	9
1EHS1052052045H	3	1 1	A 9 0 1 2 0 5 2	4 7	3 7
1EHS1252052045H	5	1 1	A 9 0 1 2 0 5 3	1 7	4 4
1FHS1052052045H	3 5	2	A 9 0 1 2 0 5 5	3 1	1 8
1FHS1252052045H	3 7	2	A 9 0 1 2 0 5 6	5 9	1 2
1GHS1052052045H	3 5	1	A 9 0 1 2 0 6 8	2 5	1 2
1GHS1252052045H	3 7	1	A 9 0 1 2 1 2 6	3 9	1 0
1 J P 0 8 5 2 0	5 3	1	A 9 0 1 2 1 2 7	3 9	1 2
1 J P 1 0 5 2 0	5 3	1	A 9 0 1 2 1 4 3	3 1	2 2
1 J P 1 2 5 2 0	5 3	1	A 9 0 1 2 1 6 3	1 3	1 6
1KHS1052052045H	3	1	A 9 0 1 2 1 6 4	1 9	1 0
1KHS1252052045H	5	1	A 9 0 1 2 1 6 6	2 5	1 5
1SHS10520520K	3	1 0	A 9 0 1 2 1 9 0	1 9	2 0
1SHS12520520K	5	1 0	A 9 0 1 2 2 1 9	4 1	2 0
A 9 0 1 0 0 0 1	2 9	8	A 9 0 1 2 2 3 8	4 1	3 0
A 9 0 1 0 0 1 7	1 3	1 5	A 9 0 1 2 2 9 1	1 7	1 9
A 9 0 1 0 1 0 0	1 1	3 2	A 9 0 1 2 3 0 6	6 3	1 0
A 9 0 1 0 1 0 1	1 1	3 1	A 9 0 1 3 0 4 5	5 5	2 1
A 9 0 1 0 1 0 2	1 1	3 3	A 9 0 1 3 0 4 5	5 7	1 4
A 9 0 1 1 0 2 1	1 5	5	A 9 0 1 4 0 5 1	2 1	1 8
A 9 0 1 1 0 2 1	1 7	2 2	A 9 0 1 4 0 5 9	1 1	4 3
A 9 0 1 1 0 2 2	1 7	2 3	A 9 0 2 0 0 9 8	4 1	6
A 9 0 1 1 0 2 3	1 7	2 1	A 9 0 2 0 0 9 8	4 3	6
A 9 0 1 1 0 3 5	2 5	3	A 9 0 2 0 0 9 8	4 5	1
A 9 0 1 1 0 4 0	2 5	1 9	A 9 0 2 0 0 9 8	4 7	4
A 9 0 1 1 0 4 0	2 7	4	A 9 0 2 0 2 0 3	2 7	1 4
A 9 0 1 1 0 6 3	4 1	1 3	A 9 0 5 2 0 0 5	6 1	4
A 9 0 1 1 0 6 3	4 3	2 6	A 9 0 5 2 0 2 4	4 1	2 4
A 9 0 1 1 0 6 3	4 5	1 3	A 9 0 5 2 0 2 4	4 3	2 2
A 9 0 1 1 0 6 3	4 7	1 4	A 9 0 5 2 0 2 8	5 7	1 0
A 9 0 1 1 1 1 1	1 1	1 1	A 9 0 5 2 0 3 0	4 1	8
A 9 0 1 1 1 5 2	1 5	4	A 9 0 5 2 0 3 0	4 3	3
A 9 0 1 1 1 7 3	5 5	2 7	A 9 0 5 2 0 3 1	4 1	2 7
A 9 0 1 2 0 0 1	3 1	7	A 9 0 5 2 0 3 1	4 3	1 4
A 9 0 1 2 0 0 2	3 1	1 4	A 9 0 5 4 0 4 0	6 1	3 3
A 9 0 1 2 0 0 2	6 1	8	A 9 0 5 6 0 0 8	5 5	2
A 9 0 1 2 0 0 3	1 7	2 6	A 9 0 5 6 0 1 1	3 1	1 5
A 9 0 1 2 0 0 5	1 7	2 6	A 9 0 5 6 0 1 2	5 5	1
A 9 0 1 2 0 0 7	1 1	2 3	A 9 0 5 6 0 1 3	5 9	1 9
A 9 0 1 2 0 0 7	5 5	2 6	A 9 0 5 6 0 1 8	5 7	1
A 9 0 1 2 0 0 7	6 3	9	A 9 0 5 6 0 2 0	2 1	1
A 9 0 1 2 0 2 7	1 1	2 0	A 9 0 6 5 0 2 8	6 1	1 3

I N D E X

LIST	No.	PAGE No.	ITEM	LIST	No.	PAGE No.	ITEM
EAY017A1		49	1	HB210010		13	17
EAY017A2		49	25	HB220010		11	15
EAY017A3		49	16	HB230011		13	13
EAY018A3		49	16	HB230020		13	11
EAY021A1		51	1	HB230030		13	14
EAY021A2		51	24	HB230040		13	19
EAY021A3		51	25	HB230050		13	10
EAY022A3		51	25	HB230070		13	8
EBY00180		29	4	HB230080		13	7
EBY00450		49	2	HB230091		13	18
EBY00460		49	3	HB230100		13	1
EBY00470		49	4	HB230111		13	5
EBY00480		49	7	HB230121		15	8
EBY00490		49	5	HB230140		17	24
EBY00500		49	6	HB230150		15	6
EBY00510		49	31	HB230160		19	11
EBY00510		51	21	HB230170		17	20
EBY00520		49	30	HB230180		17	29
EBY00520		51	20	HB230190		17	33
EBY00530		49	28	HB230200		19	13
EBY00530		51	9	HB230210		19	14
EBY00540		49	27	HB230220		19	9
EBY00540		51	8	HB230231		19	12
EBY00550		49	29	HB230241		19	4
EBY00550		51	10	HB230251		19	8
EBY00560		49	32	HB230261		19	3
EBY00560		51	22	HB230271		19	2
EBY00570		49	26	HB230281		19	7
EBY00570		51	7	HB230291		15	3
EBY00630		49	38	HB230301		15	9
EBY00630		51	23	HB230310		15	11
EBY00910		63	5	HB230320		13	2
EBY00920		63	5	HB230331		13	3
EBY00940		51	4	HB230340		13	12
EBY00950		51	5	HB230350		19	5
EBY00970		51	3	HB230360		19	6
EBY00980		51	6	HB230372		19	15
EBY00990		51	2	HB230382		19	19
EBY01070		23	12	HB230390		19	21
HB13001180		3	34	HB230401		19	22
HB130020		25	2	HB230414		19	16
HB130020		45	16	HB230420		19	17
HB130030		25	2	HB230431		17	15
HB130030		45	16	HB230450		21	10
HB130040		3	33	HB230460		21	12

I N D E X

LIST No.	PAGE No.	ITEM	LIST No.	PAGE No.	ITEM
HB 2 3 0 4 7 0	2 1	1 1	HB 2 4 0 3 0 0	2 3	1 3
HB 2 3 0 4 8 1	1 5	7	HB 2 4 0 3 1 0	2 1	6
HB 2 3 0 4 9 3	1 3	9	HB 2 4 0 3 2 0	6 3	8
HB 2 3 0 5 0 2	1 7	7	HB 2 4 0 3 3 0	2 1	5
HB 2 3 0 5 1 2	1 7	6	HB 2 4 0 3 4 0	2 1	7
HB 2 3 0 5 3 1	1 7	3	HB 3 1 0 0 1 0	4 5	1 8
HB 2 3 0 5 4 2	1 7	8	HB 3 1 0 0 3 0	4 5	1 9
HB 2 3 0 5 5 0	1 7	2 5	HB 3 1 0 0 4 0	2 5	1 3
HB 2 3 0 5 7 1	1 9	1 8	HB 3 1 0 0 5 1	2 5	2 1
HB 2 3 0 5 9 0	1 9	2 3	HB 3 1 0 0 6 0	2 7	9
HB 2 3 0 6 0 1	1 7	1	HB 3 1 0 0 7 0	2 5	2 0
HB 2 3 0 6 2 0	1 3	4	HB 3 1 0 0 7 0	2 7	7
HB 2 3 0 6 4 1	1 3	3 1	HB 3 1 0 0 8 0	2 5	1 1
HB 2 3 0 6 5 0	1 3	3 0	HB 3 1 0 1 1 0	2 5	1 8
HB 2 3 0 6 5 0	5 5	4 3	HB 3 1 0 1 2 0	2 7	1
HB 2 3 0 6 9 1	1 3	3 2	HB 3 1 0 1 5 0	2 7	3
HB 2 3 0 7 0 1	1 9	1	HB 3 1 0 1 6 0	2 5	6
HB 2 3 0 7 1 0	1 3	3 3	HB 3 1 0 1 6 0	4 5	2 0
HB 2 3 0 7 2 0	1 7	1 8	HB 3 1 0 1 7 0	2 5	1 4
HB 2 3 0 7 5 0	1 5	1 2	HB 3 1 0 1 8 0	3	1 5
HB 2 3 0 7 6 0	1 5	1 0	HB 3 1 0 1 9 1	2 5	1 7
HB 2 3 0 7 7 0	1 7	4	HB 3 1 0 2 0 0	2 5	1 6
HB 2 3 0 7 8 0	1 7	5	HB 3 1 0 2 1 0	2 7	1 3
HB 2 3 0 8 0 0	1 3	2 0	HB 3 1 0 2 2 0	2 7	8
HB 2 4 0 0 1 1	2 1	2	HB 3 1 0 2 6 0	2 5	2 2
HB 2 4 0 0 2 0	2 1	8	HB 3 2 0 0 3 0	1 1	3 0
HB 2 4 0 0 3 0	2 1	9	HB 3 3 0 0 1 0	2 9	1 2
HB 2 4 0 0 4 0	2 1	4	HB 3 3 0 0 2 0	2 9	5
HB 2 4 0 0 5 0	2 1	3	HB 3 3 0 0 3 0	3 1	4
HB 2 4 0 0 6 0	2 1	1 3	HB 3 3 0 0 4 0	3 1	5
HB 2 4 0 0 7 0	2 1	1 7	HB 3 3 0 0 5 0	3 1	2 0
HB 2 4 0 0 8 0	2 1	1 5	HB 3 3 0 0 6 0	3 1	1 6
HB 2 4 0 0 9 0	2 1	1 4	HB 3 3 0 0 7 0	3 1	2
HB 2 4 0 1 1 0	2 1	1 6	HB 3 3 0 0 8 0	3 1	1 7
HB 2 4 0 1 5 1	1 5	2	HB 3 3 0 0 9 0	3 1	1
HB 2 4 0 1 6 1	1 5	1 3	HB 3 3 0 1 0 1	3 1	2 1
HB 2 4 0 1 7 1	1 5	1 4	HB 3 3 0 1 1 0	2 9	9
HB 2 4 0 1 8 0	1 5	1	HB 3 3 0 1 2 0	3 1	3
HB 2 4 0 2 0 0	2 3	1 7	HB 3 3 0 1 3 0	2 9	7
HB 2 4 0 2 1 0	2 3	1 8	HB 3 3 0 1 4 0	2 9	1
HB 2 4 0 2 2 0	2 3	1 9	HB 3 3 0 1 5 0	2 9	1 5
HB 2 4 0 2 3 1	2 3	2 1	HB 3 3 0 1 7 0	2 9	6
HB 2 4 0 2 4 1	2 3	2 2	HB 3 3 0 1 9 0	2 9	1 4
HB 2 4 0 2 5 0	2 3	2 3	HB 3 3 0 2 0 0	2 9	1 3
HB 2 4 0 2 6 0	2 3	1 1	HB 3 3 0 2 1 1	2 9	1 1

I N D E X

LIST No.	PAGE No.	ITEM	LIST No.	PAGE No.	ITEM
HB 3 3 0 2 2 1	2 9	1 0	HP 1 3 0 0 2 0	5	2 2
HB 5 4 0 0 4 0	6 3	1	HP 1 4 0 1 1 1	3	3 8
HB 5 4 0 0 5 0	6 3	1	HP 1 4 0 1 1 1	5	3 5
HB 5 4 0 0 6 0	6 3	6	HP 1 4 0 1 2 0	3	3 9
HB 5 4 0 0 7 0	6 3	6	HP 1 4 0 1 2 0	5	3 4
HG 4 8 0 0 0 1	3 5	6	HP 1 4 0 1 3 0 4 5	3	2 1
HG 4 8 0 0 0 1	3 7	6	HP 1 4 0 1 3 0 4 5	5	2 1
HH 3 2 0 5 5 0	2 5	4	HP 1 4 0 1 7 0	3	1 9
HH 3 3 0 6 7 0	3 1	2 5	HP 1 4 0 1 7 0	5	1 9
HH 3 3 0 7 7 0	3 1	1 0	HP 2 2 0 6 8 0	1 1	2
HH 3 3 0 8 1 0	3 1	2 6	HP 2 2 0 7 1 2	1 1	5
HH 4 8 1 9 0 0	3 9	2 1	HP 2 4 1 1 2 2	2 3	6
HH 4 8 1 9 0 0	4 7	1 8	HP 2 4 1 1 5 0	2 3	2
HH 4 8 1 9 1 1	3 9	2 2	HP 2 4 1 1 6 0	2 3	7
HH 4 8 1 9 1 1	4 7	1 9	HP 2 4 1 1 8 0	2 3	3
HH 4 8 1 9 3 1	3 9	2 0	HP 2 4 1 3 8 1	2 3	8
HH 4 8 1 9 3 1	4 7	1 7	HP 2 4 1 4 1 0	2 3	1
HH 4 8 1 9 4 0	3 9	2 3	HP 2 4 1 4 3 0	5 3	5
HH 4 8 1 9 7 0	1 1	3 4	HP 2 4 1 4 3 0	6 3	1 4
HH 4 8 1 9 7 0	4 1	1 5	HP 2 4 1 4 4 0	2 3	5
HH 4 8 1 9 7 0	4 3	2 4	HP 2 4 1 4 5 0	2 3	4
HH 4 8 1 9 7 0	4 5	1 2	HP 2 4 1 4 6 0	2 3	4
HH 4 8 1 9 7 0	4 7	1 2	HP 2 4 1 4 8 0	2 3	1 0
HH 4 8 1 9 8 0	4 1	1 1	HP 3 1 0 1 5 0	2 5	1 0
HH 4 8 1 9 8 0	4 3	2 8	HP 3 1 0 2 2 0	2 7	1 8
HH 4 8 1 9 8 0	4 5	1 5	HP 3 2 1 0 8 2	1 1	9
HH 4 8 1 9 8 0	4 7	1 6	HP 3 2 1 0 9 0	1 1	1 0
HH 4 8 1 9 9 1	4 1	2 2	HP 3 2 1 1 0 0	2 7	1 0
HH 4 8 1 9 9 1	4 3	1 7	HP 3 2 1 1 1 0	3	1 4
HH 4 8 1 9 9 1	4 5	7	HP 3 2 1 1 1 0	5	1 4
HH 4 8 1 9 9 1	4 7	7	HP 3 2 1 7 1 0	1 1	3 5
HH 4 8 2 0 0 0	4 3	1 6	HP 3 2 1 7 2 0	1 1	3 6
HH 4 8 2 0 0 0	4 5	6	HP 3 3 1 5 6 0	3 1	1 3
HH 4 8 2 0 0 0	4 7	6	HP 3 3 1 6 1 0	3 1	1 2
HH 4 8 2 0 1 1	4 1	1 4	HP 3 3 1 6 6 0	3 1	8
HH 4 8 2 0 1 1	4 3	2 5	HP 3 3 1 7 0 0	3 1	2 3
HH 4 8 2 0 1 1	4 5	1 1	HP 3 3 1 9 2 2	1 1	3 7
HH 4 8 2 0 1 1	4 7	1 3	HP 3 3 1 9 5 0	3 1	2 4
HH 4 8 2 1 1 0	4 1	2 1	HP 4 5 1 0 8 0	4 1	7
HH 4 8 2 1 1 0	4 3	2 0	HP 4 5 1 1 0 0	4 3	2
HH 4 8 2 1 1 0	4 5	1 0	HP 4 5 1 1 1 G 4 5	4 1	2 6
HH 4 8 2 1 1 0	4 7	8	HP 4 5 1 1 2 G 5 2 0	4 3	1 1
HP 1 2 0 0 3 0	3	1 6	HP 4 6 0 1 2 1	3 9	8
HP 1 2 0 0 3 0	5	1 6	HP 4 6 0 1 6 0	3 9	1 1
HP 1 3 0 0 2 0	3	2 2	HP 4 6 0 1 7 0	3 9	9

I N D E X

L I S T	No.	P A G E No.	I T E M	L I S T	No.	P A G E No.	I T E M
HP 4 8 0 1 2 0		3 5	8	HS 1 4 0 1 5 0		3	6
HP 4 8 0 1 2 0		3 7	8	HS 1 4 0 1 5 0		5	6
HP 4 8 2 1 7 G 5 2 0		4 3	1 0	HS 1 4 0 1 6 0		3	5
HP 4 8 2 1 7 G 5 2 0		4 5	4	HS 1 4 0 1 6 0		5	5
HP 4 8 2 8 4 0		3 9	1 9	HS 1 4 0 1 7 0		3	3
HP 4 8 2 8 8 0		3 9	4	HS 1 4 0 1 7 0		5	3
HP 4 8 2 9 1 0		3 9	2	HS 1 4 0 2 9 0		3	8
HP 4 8 2 9 1 0		4 1	1 6	HS 1 4 0 2 9 0		5	8
HP 4 8 2 9 1 0		4 3	8	HS 1 4 0 5 4 0		3	3 5
HP 4 8 2 9 1 0		4 5	3	HS 1 4 0 5 4 0		5	3 6
HP 4 8 2 9 1 0		4 7	1 0	HS 1 4 0 5 6 0		3	4 0
HP 4 8 2 9 4 0		4 1	9	HS 1 4 0 5 6 0		5	3 9
HP 4 8 2 9 4 0		4 3	7	HS 1 4 0 5 8 0		5	1 3
HP 4 8 2 9 4 0		4 5	2	HS 1 4 0 5 9 0		5	7
HP 4 8 2 9 4 0		4 7	5	HS 1 4 0 6 8 0		3	7
HP 4 8 2 9 5 0		4 1	5	HS 1 4 0 6 9 0		3	1 3
HP 4 8 2 9 5 0		4 3	5	HS 1 4 0 7 0 0		7	1 2
HP 4 8 2 9 5 0		4 7	3	HS 1 4 0 7 1 0		9	6
HP 4 8 2 9 8 0		4 1	1 9	HS 1 4 0 7 2 0		7	1 4
HP 4 8 2 9 8 0		4 3	1 8	HS 1 4 0 7 2 0		9	8
HP 4 8 2 9 8 0		4 5	8	HS 1 4 0 7 3 0		7	1 9
HP 4 8 2 9 8 0		4 7	9	HS 1 4 0 7 3 0		9	1 3
HP 4 8 2 9 9 0		4 1	1 2	HS 1 4 0 7 7 0		7	1 8
HP 4 8 2 9 9 0		4 3	2 7	HS 1 4 0 7 7 0		9	1 2
HP 4 8 2 9 9 0		4 5	1 4	HS 1 4 0 7 8 0		9	5
HP 4 8 2 9 9 0		4 7	1 5	HS 1 4 0 8 0 0		7	8
HP 5 1 2 3 1 0		4 9	1 1	HS 1 4 0 8 1 0		7	1 1
HP 5 1 2 3 2 0		3	2 0	HS 1 4 0 8 2 0		7	5
HP 5 1 2 3 2 0		5	2 0	HS 1 4 0 8 3 0		7	1 0
HP 5 1 2 3 2 0		4 9	1 2	HS 1 4 0 8 4 0		7	9
HP 5 1 2 3 2 0		5 1	2 9	HS 1 4 0 8 5 0		7	2 1
HP 5 1 2 3 3 0		4 9	1 0	HS 1 4 0 8 5 0		9	1 5
HP 5 1 2 3 4 1		4 9	9	HS 1 4 0 8 6 0		7	1 7
HP 5 1 2 3 5 0		4 9	8	HS 1 4 0 8 6 0		9	1 1
HP 5 1 2 3 6 0		5 1	3 1	HS 1 4 0 8 7 0		7	1 3
HP 5 1 2 3 7 0		5 1	2 7	HS 1 4 0 8 7 0		9	7
HP 7 1 0 7 9 1		5 3	4	HS 1 4 0 8 8 0		7	1 6
HP 7 1 1 2 0 0		5 3	6	HS 1 4 0 8 8 0		9	1 0
HP 7 1 1 2 1 0		5 3	6	HS 1 4 0 8 9 0		7	7
HS 1 3 0 0 0 0		5	3 3	HS 1 4 0 9 0 0		7	4
HS 1 3 0 0 1 0		5	1 5	HS 1 4 0 9 0 0		9	4
HS 1 4 0 0 1 0		3	9	HS 1 4 0 9 3 0		7	6
HS 1 4 0 0 1 0		5	9	HS 1 4 0 9 6 0		7	1
HS 1 4 0 1 4 0		3	4	HS 1 4 0 9 6 0		9	1
HS 1 4 0 1 4 0		5	4	HS 1 4 0 9 7 0		7	3

I N D E X

LIST No.	PAGE No.	ITEM	LIST No.	PAGE No.	ITEM
HS 1 4 0 9 7 0	9	3	HS 4 6 0 1 0 0	4 3	4
HS 1 4 0 9 8 0	7	2	HS 4 6 0 1 0 0	4 7	2 1
HS 1 4 0 9 8 0	9	2	HS 4 6 0 1 1 0	3 3	1 0
HS 1 4 0 9 9 0	7	2 2	HS 4 6 0 1 2 0	3 5	4
HS 1 4 1 0 0 0	7	1 5	HS 4 6 0 1 2 0	3 7	4
HS 1 4 1 0 2 0	7	1 5	HS 4 6 0 1 3 0	3 9	1 8
HS 2 1 0 0 1 1	1 1	8	HS 4 6 0 1 7 0	3 3	1
HS 2 1 0 0 2 0	1 1	1	HS 4 6 0 2 0 0	3 3	1 1
HS 2 1 0 0 3 0	1 1	1 9	HS 4 6 0 2 1 0	3 3	5
HS 2 1 0 0 4 0	1 1	7	HS 4 6 0 2 2 0	3 3	2
HS 2 1 0 0 5 0	5 5	1 3	HS 4 8 0 0 0 0	4 1	2
HS 2 1 0 0 6 0	5 5	3	HS 4 8 0 0 1 0	4 7	2
HS 2 1 0 0 7 0	5 5	1 0	HS 4 8 0 0 2 0	4 3	1
HS 2 1 0 0 8 0	5 5	9	HS 4 8 0 0 3 0	3 9	5
HS 2 1 0 0 9 0	5 5	2 8	HS 4 8 0 0 4 0	3 9	6
HS 2 1 0 1 0 0	5 5	1 8	HS 4 8 0 0 5 1	4 1	1
HS 2 1 0 1 1 0	5 5	3 3	HS 4 8 0 0 6 1	4 1	3
HS 2 1 0 1 2 0	5 5	3 2	HS 4 8 0 0 7 2	3 9	1
HS 2 1 0 1 4 2	5 5	1 1	HS 4 8 0 0 8 1	3 5	5
HS 2 7 0 0 1 1	6 1	1 1	HS 4 8 0 0 8 1	3 7	5
HS 2 7 0 0 2 0	6 1	1 4	HS 4 8 0 0 9 0	4 1	2 5
HS 2 7 0 0 3 0	6 1	2	HS 4 8 0 2 2 1	3 5	7
HS 2 7 0 0 4 0	6 1	6	HS 4 8 0 2 2 1	3 7	7
HS 2 7 0 0 5 0	6 1	1 5	HS 4 8 0 2 5 0	4 7	1
HS 2 7 0 0 6 0	6 1	1 6	HS 4 8 0 2 6 0	4 3	1 5
HS 3 1 0 0 0 0	2 7	2	HS 4 8 0 2 8 0	4 1	2 3
HS 3 1 0 0 1 0	2 5	9	HS 5 1 0 0 0 0	3	1 7
HS 3 1 0 0 2 0	2 5	7	HS 5 1 0 0 0 0	5	1 7
HS 3 1 0 0 3 0	2 5	8	HS 7 3 0 0 0 0	3 3	1 2
HS 3 1 0 0 4 0	4 7	2 0	HS 7 3 0 0 0 0	3 5	1 2
HS 3 1 0 0 5 0	2 5	1	HS 7 3 0 0 0 0	3 7	1 2
HS 3 1 0 0 6 0	2 5	2 3	HU 3 1 5 2 9 0	2 7	1 7
HS 3 1 0 0 7 0	2 7	1 1	KB 2 4 0 0 6 0	2 3	1 6
HS 3 1 0 0 8 0	2 7	1 2	KB 2 4 0 1 0 0	2 3	1 5
HS 3 1 0 0 9 0	4 5	1 9	KB 2 7 0 0 1 0	5 5	2 5
HS 3 1 0 1 0 0	2 5	1 3	KC 2 2 0 6 4 2	5 5	2 3
HS 3 2 1 1 4 0	4 5	1 7	KC 2 2 0 6 5 0	1 1	1 3
HS 4 6 0 0 0 0	3 5	3	KC 2 5 0 4 8 2	1 1	1 8
HS 4 6 0 0 0 0	3 7	3	KC 2 7 0 1 0 1	5 9	1 8
HS 4 6 0 0 3 0	3 3	8	KC 2 7 0 2 7 1	5 9	6
HS 4 6 0 0 4 0	3 3	6	KC 2 7 0 2 9 2	5 9	7
HS 4 6 0 0 5 0	3 3	9	KC 2 7 0 3 0 1	5 9	5
HS 4 6 0 0 7 0	3 3	3	KC 2 7 0 9 5 0	5 5	2 0
HS 4 6 0 0 8 0	3 3	4	KC 2 7 0 9 6 0	5 5	1 4
HS 4 6 0 0 9 0	4 1	2 9	KC 2 7 0 9 7 0	5 5	2 2

I N D E X

LIST	No.	PAGE No.	ITEM	LIST	No.	PAGE No.	ITEM
K C 2 7 0 9 8 0		5 5	1 9	K F 3 3 0 3 8 1		1 7	2 8
K C 2 7 1 0 0 1		5 5	1 2	K F 5 3 0 1 1 1		4 9	1 9
K C 2 7 1 4 3 0		6 1	1 2	K F 5 3 0 1 1 1		5 1	1 3
K C 2 7 1 4 4 0		6 1	1	K F 5 3 0 1 2 0		4 9	1 9
K C 2 7 1 9 4 0		5 5	7	K F 5 3 0 1 2 0		5 1	1 3
K C 2 7 1 9 5 0		5 5	6	K F 5 3 0 1 5 0		4 9	1 8
K C 3 2 0 8 2 0		2 5	5	K F 5 3 0 1 5 0		5 1	1 5
K C 3 2 0 8 2 0		2 7	1 9	K F 5 3 0 1 6 0		4 9	2 1
K C 3 3 0 1 7 0		2 9	3	K F 5 3 0 1 6 0		5 1	1 1
K C 3 3 0 1 8 0		6 1	3	K F 5 3 0 1 7 0		4 9	2 3
K C 3 3 0 2 8 0		2 9	2	K F 5 3 0 1 7 0		5 1	1 9
K C 3 3 0 3 1 0 3 0 0		3 1	6	K F 7 1 0 2 8 0		5 3	3
K C 3 3 0 3 1 0 5 2 0		1 7	2 7	K F 7 1 0 3 9 0		5 3	1 6
K C 3 3 0 4 1 0		1 7	3 5	K G 2 3 0 0 2 0		1 7	9
K C 3 3 0 4 1 0		3 1	9	K G 2 5 0 0 1 0		2 3	2 0
K C 3 3 0 4 1 0		6 1	1 0	K G 2 7 0 2 8 2		5 9	2
K C 3 3 0 4 2 0		3 1	1 1	K G 2 7 0 3 1 0		5 9	4
K C 3 3 0 5 1 0		6 1	9	K G 2 7 0 7 6 0		5 9	1
K C 5 2 0 0 2 0		4 9	1 3	K G 7 1 0 1 6 1		5 3	7
K C 5 2 0 0 2 0		5 1	1 7	K L 2 2 0 1 2 0		1 1	2 8
K C 5 3 0 2 3 0		4 9	1 7	K L 2 2 0 1 4 0		1 1	6
K C 5 3 0 2 3 0		5 1	1 4	K L 2 3 0 1 1 1		1 7	1 6
K C 5 3 0 2 4 0		4 9	2 0	K L 2 3 0 2 8 0		1 7	3 0
K C 5 3 0 2 4 0		5 1	1 2	K L 2 7 0 0 0 0		5 9	8
K C 7 1 0 2 7 0		5 3	1 7	K L 2 7 0 0 1 0		5 9	1 0
K C 7 1 0 4 1 0		5 3	1 8	K L 2 7 0 0 2 0		5 9	9
K F 2 2 0 2 2 0		1 1	4	K L 2 7 0 0 3 0		5 9	1 1
K F 2 2 0 2 3 0		1 1	3	K L 2 7 0 0 4 0		5 9	1 3
K F 2 2 0 2 4 0		1 1	1 4	K L 2 7 0 0 5 0		5 9	1 4
K F 2 2 0 3 0 2		1 1	1 7	K L 2 7 0 0 6 0		5 9	1 5
K F 2 2 0 4 2 1		1 1	1 6	K L 2 7 0 0 7 0		5 9	1 7
K F 2 3 0 2 3 0		1 7	1 2	K L 2 7 0 0 8 1		5 7	2
K F 2 3 0 2 4 0		1 7	1 4	K L 2 7 0 0 9 1		5 7	1 1
K F 2 3 0 2 5 0		1 7	1 3	K L 2 7 0 1 0 1		5 7	5
K F 2 3 0 5 0 0		1 3	6	K L 2 7 0 1 1 0		5 7	8
K F 2 3 0 5 8 0		5 9	3	K L 2 7 0 1 2 0		5 7	7
K F 2 3 0 6 3 0		3 1	1 9	K L 2 7 0 1 3 0		5 7	6
K F 2 3 0 6 4 0		1 7	3 4	K L 2 7 0 1 4 0		5 7	4
K F 2 3 0 6 6 1		1 7	3 1	K L 2 7 0 1 4 0		5 9	2 1
K F 2 3 0 6 7 0		1 7	3 2	K L 2 7 0 1 5 0		5 7	3
K F 2 3 0 9 1 0		1 7	1 7	K L 2 7 0 1 5 0		5 9	2 0
K F 2 3 0 9 2 0		1 7	1 0	K L 2 7 0 2 6 0		5 7	9
K F 2 3 0 9 3 0		1 7	1 1	K L 2 7 0 3 6 0		5 5	8
K F 2 4 0 9 0 0		5 3	2	K L 2 7 0 3 8 0		5 5	1 7
K F 2 5 0 9 0 0		1 1	2 4	K L 2 7 0 3 9 0		5 5	3 1

