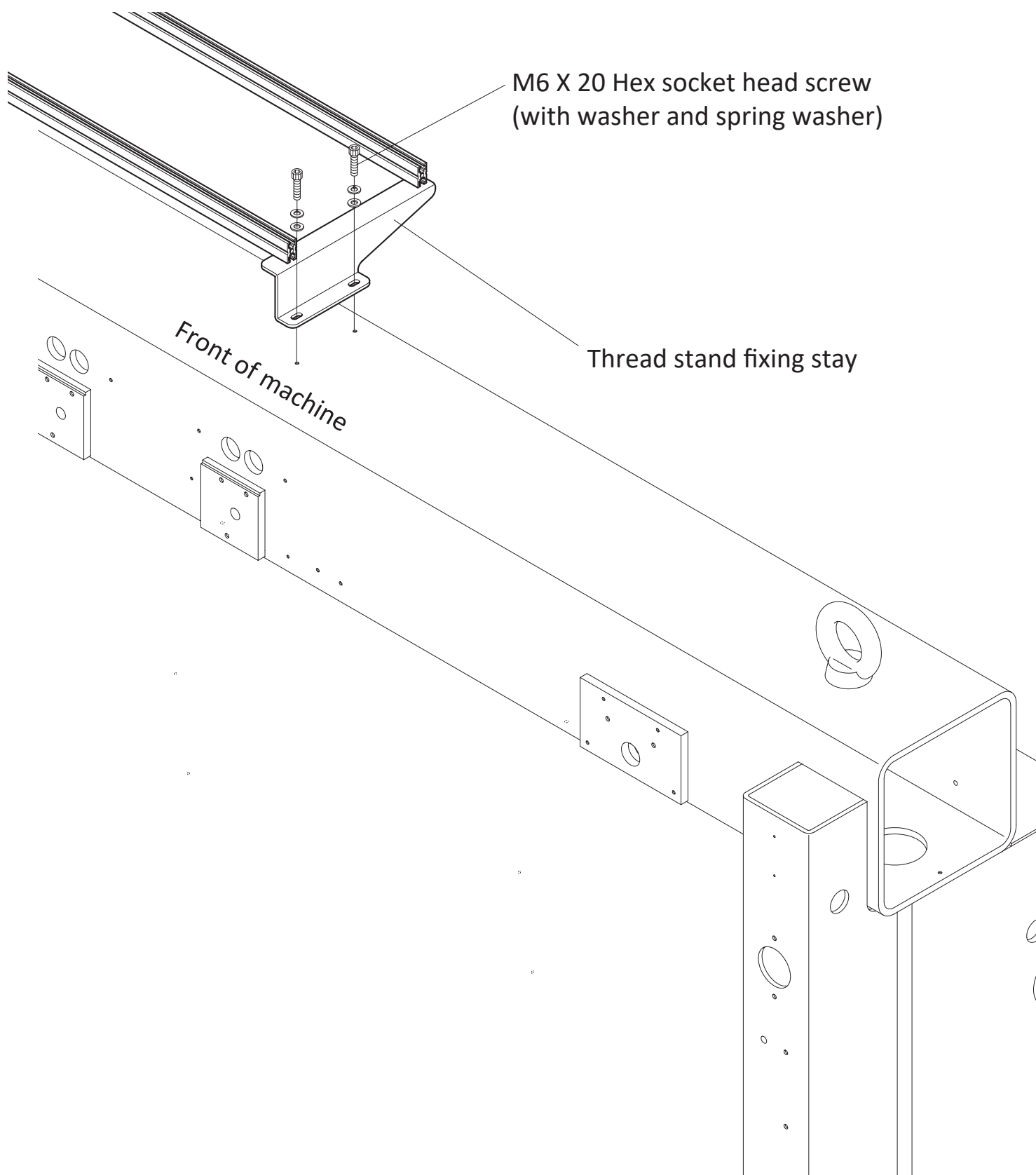


# How to install the thread stand on a KS-S1515C

1. Mount the Thread stand fixing stay to the top beam of the machine.



2. Mount the Thread stand to the Thread stand rail set.

