

Barudan

HIGH SPEED AUTOMATIC EMBROIDERY MACHINE

MODEL **BEKT-S1501CBII (Mk8)**

PARTS LIST

BARUDAN CO., LTD.

20 Tsukagoshi Josuiji,
Ichinomiya-city, Aichi-pref., Japan
TEL <81>586-76-1137 FAX <81>586-77-1499
<http://www.barudan.co.jp/>

株式会社 **バルダン**

〒491-0004 愛知県一宮市定水寺塚越20番地
TEL (0586) 76-1137(代) FAX (0586) 77-1499
<http://www.barudan.co.jp/>

BEKT-S1501CBⅢ (Mk8) HIGH SPEED AUTOMATIC EMBROIDERY MACHINE 高速自動刺繍ミシン

C O N T E N T S 目 次

Machine layout (BEKT-S1501CBⅢ (Mk8))
配置図 (BEKT-S1501CBⅢ (Mk8))

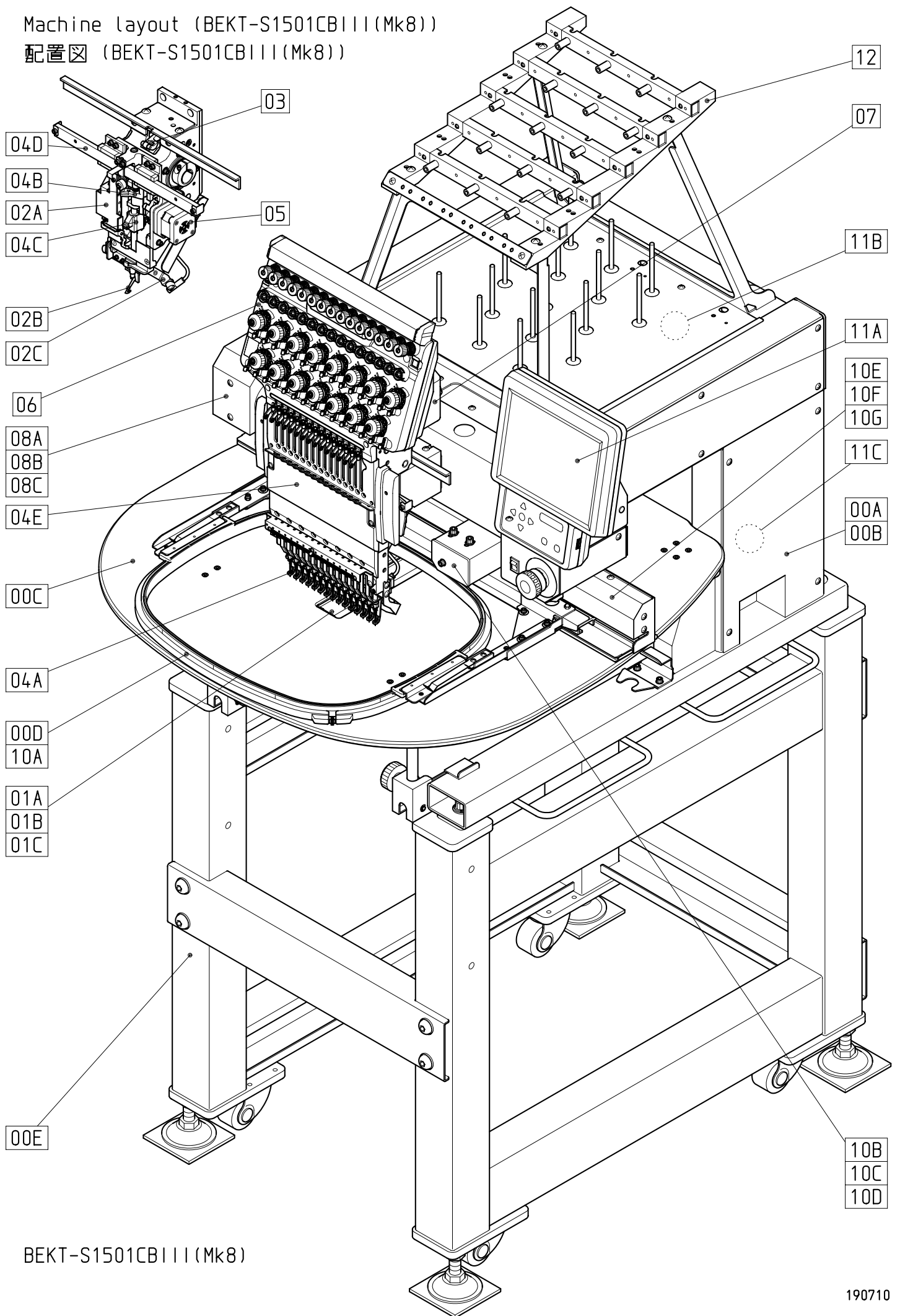
00A	Table・Frame A テーブル・フレームA
00B	Table・Frame B テーブル・フレームB
00C	Table・Frame C テーブル・フレームC
00D	Table・Frame D テーブル・フレームD
00E	Table・Frame E テーブル・フレームE
01A	Bed A ベッドA
01B	Bed B ベッドB
01C	Bed C ベッドC
02A	Thread cut A 糸切りA
02B	Thread cut B 糸切りB
02C	Thread cut C 糸切りC
03	Take up lever 天秤
04A	Needle bar A 針棒A
04B	Needle bar B 針棒B
04C	Needle bar C 針棒C
04D	Needle bar D 針棒D
04E	Needle bar E 針棒E

05	Jump ジャンプ
06	Thread guide 糸道
07	Color change 色換え
08A	Drive A 駆動A
08B	Drive B 駆動B
08C	Drive C 駆動C
10A	Pantograph drive A 枠駆動A
10B	Pantograph drive B 枠駆動B
10C	Pantograph drive C 枠駆動C
10D	Pantograph drive D 枠駆動D
10E	Pantograph drive E 枠駆動E
10F	Pantograph drive F 枠駆動F
10G	Pantograph drive G 枠駆動G
11A	Control A 制御A
11B	Control B 制御B
11C	Control C 制御C
12	Spool holder 糸立

INDEX
索引

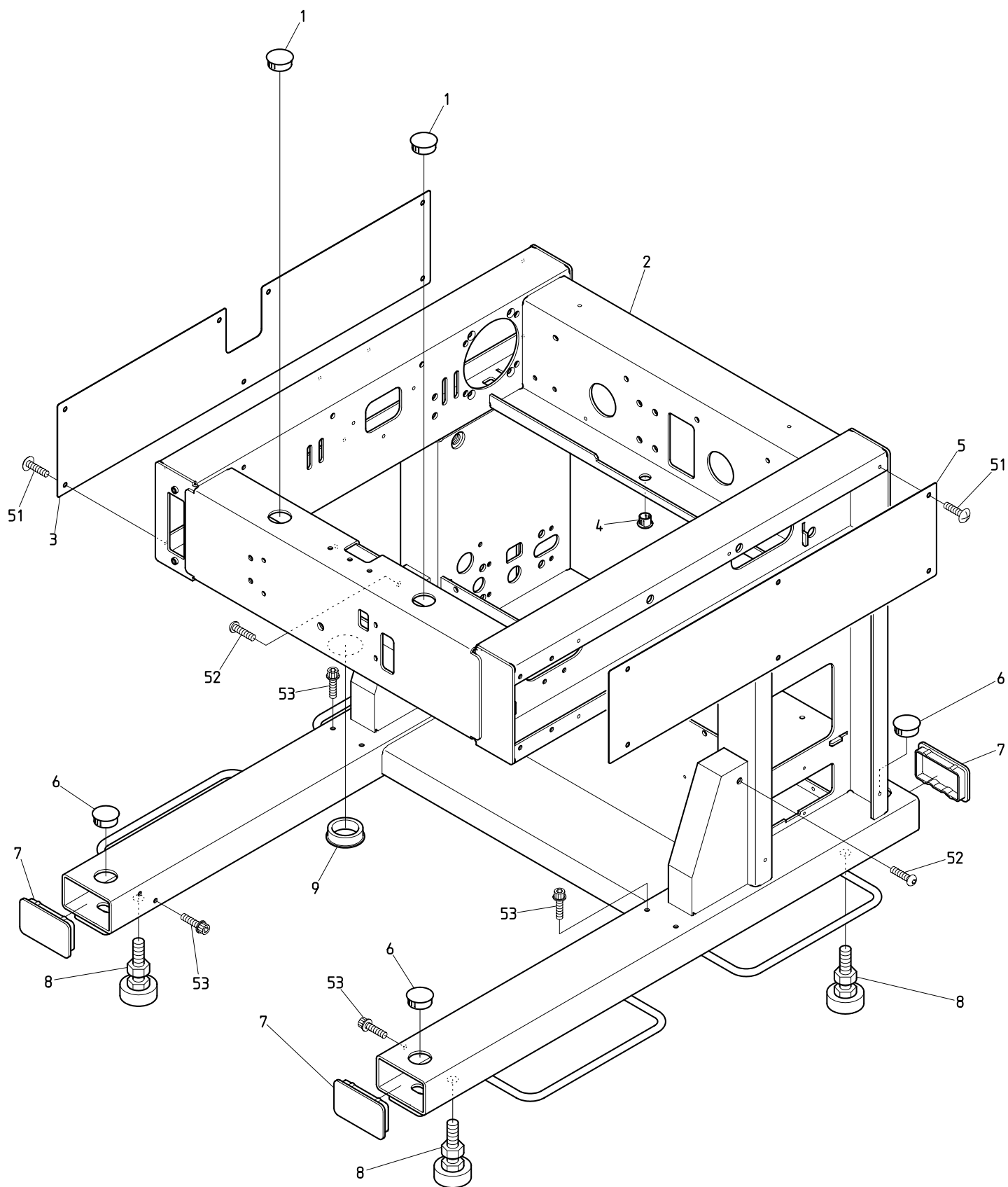
Machine layout (BEKT-S1501CB111(Mk8))

配置图 (BEKT-S1501CB111(Mk8))



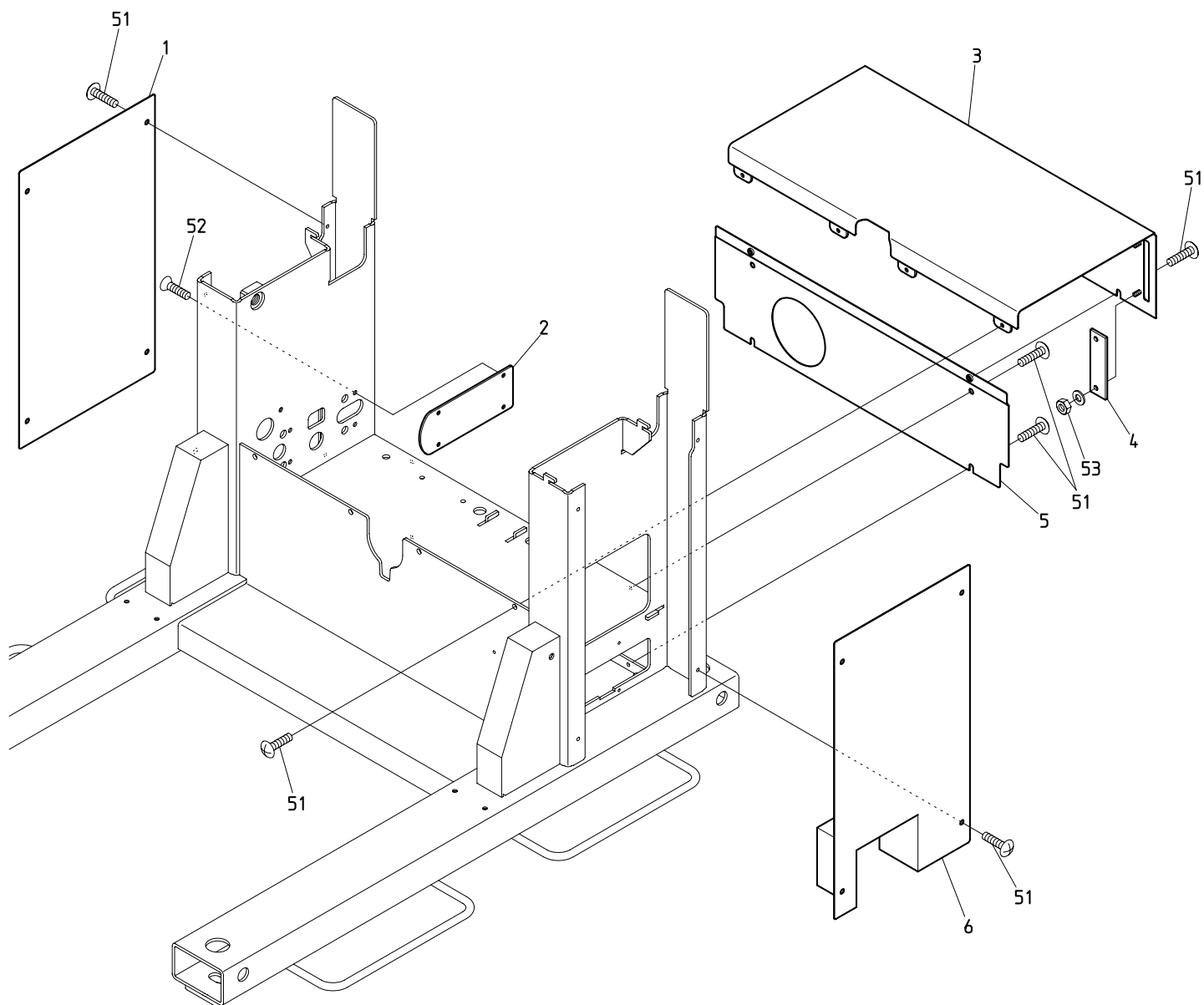
BEKT-S1501CB111(Mk8)

00A Table・Frame A
テーブル・フレームA



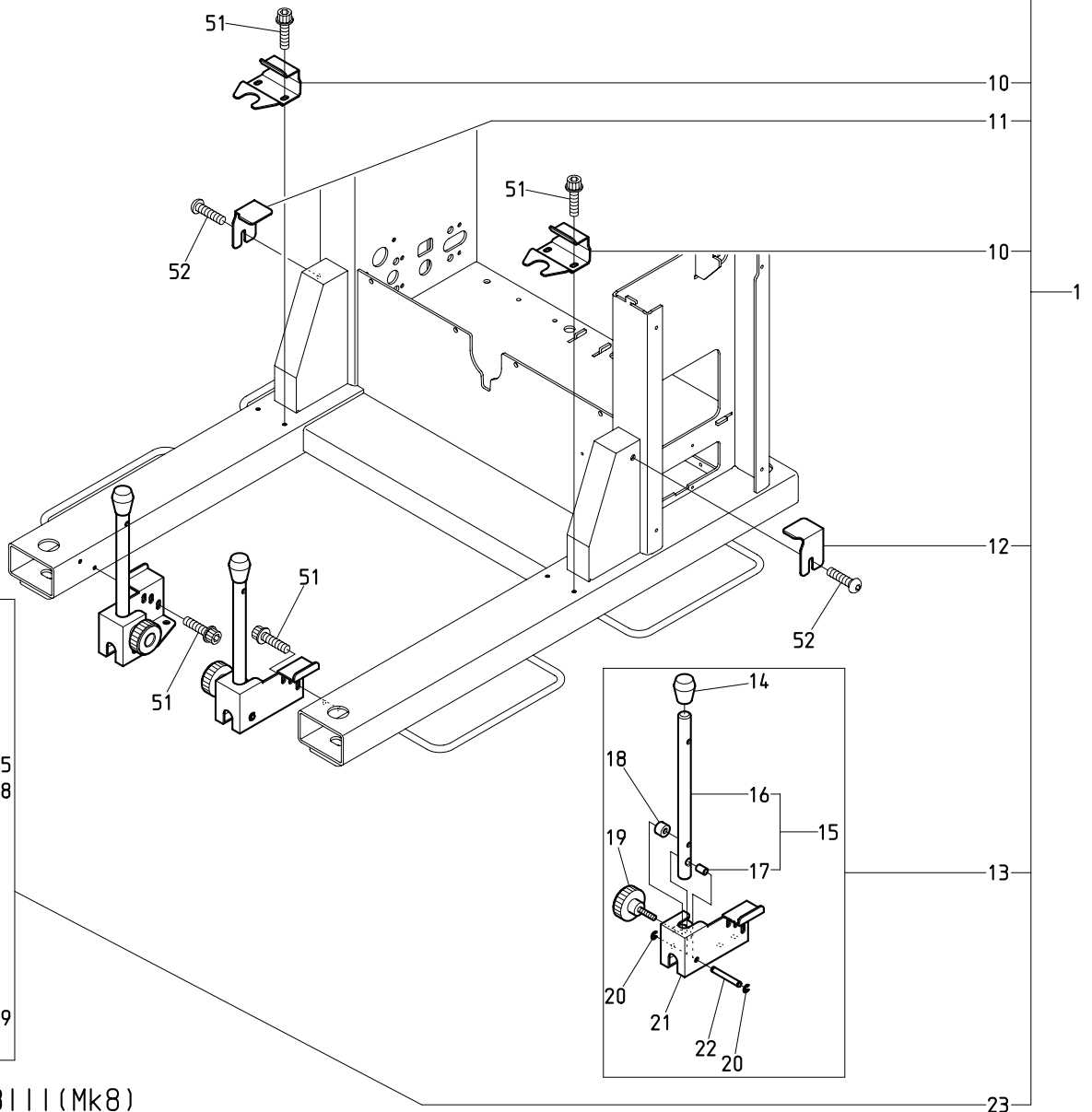
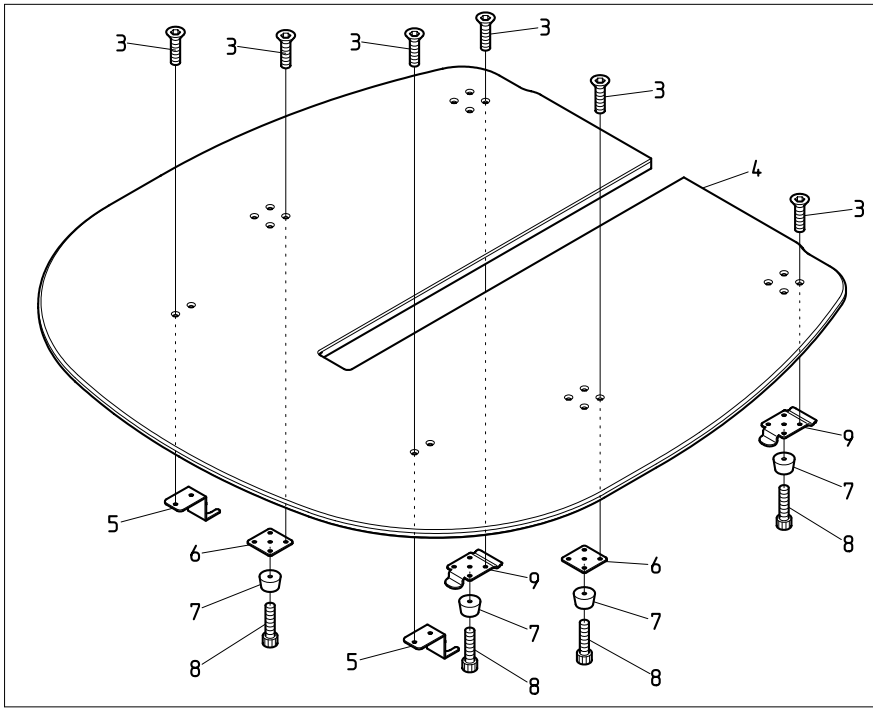
BEKT-S1501CB111 (Mk8)

00B Table・Frame B
テーブル・フレームB



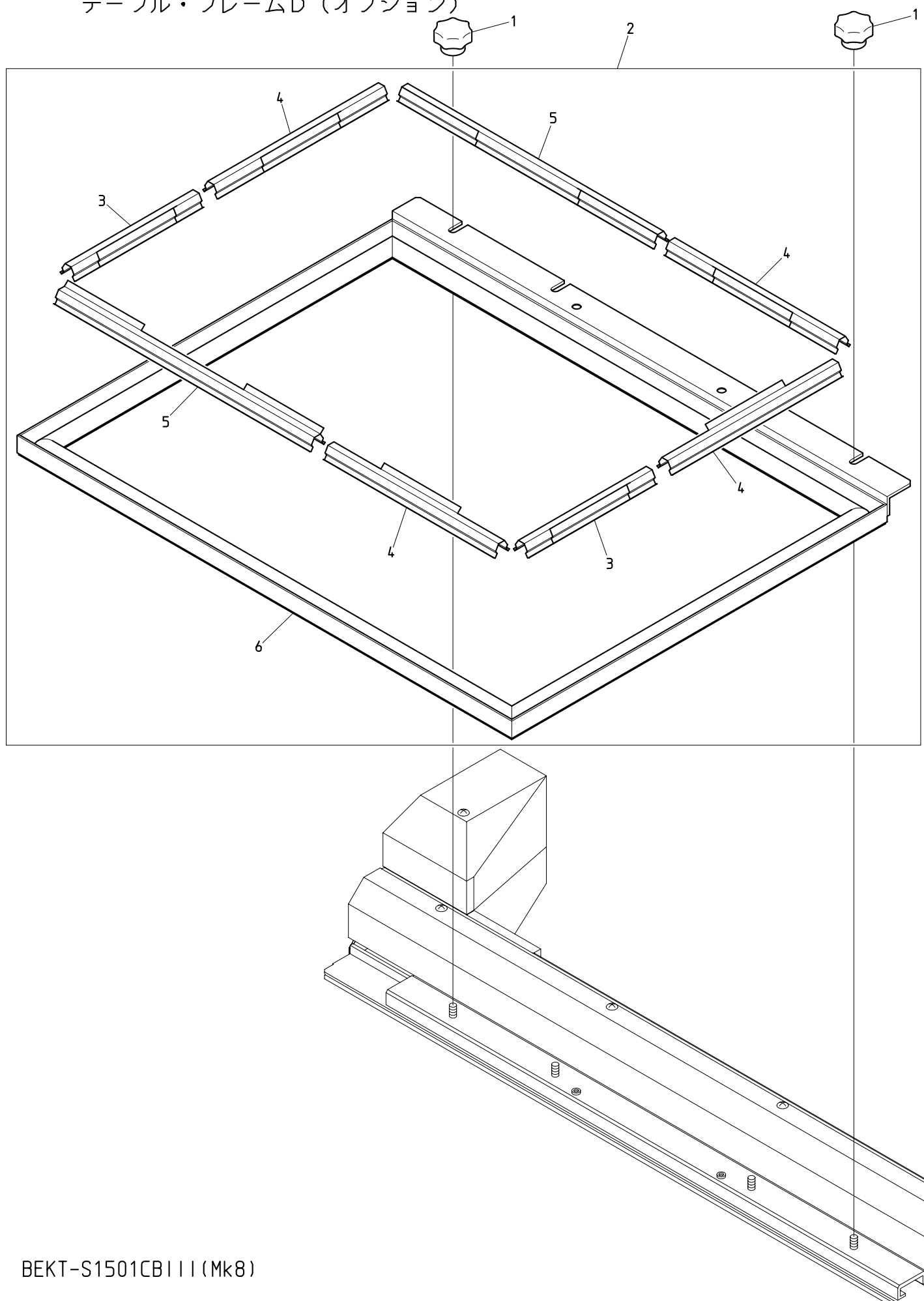
BEKT-S1501CB111 (Mk8)

00C Table・Frame C
 テーブル・フレームC



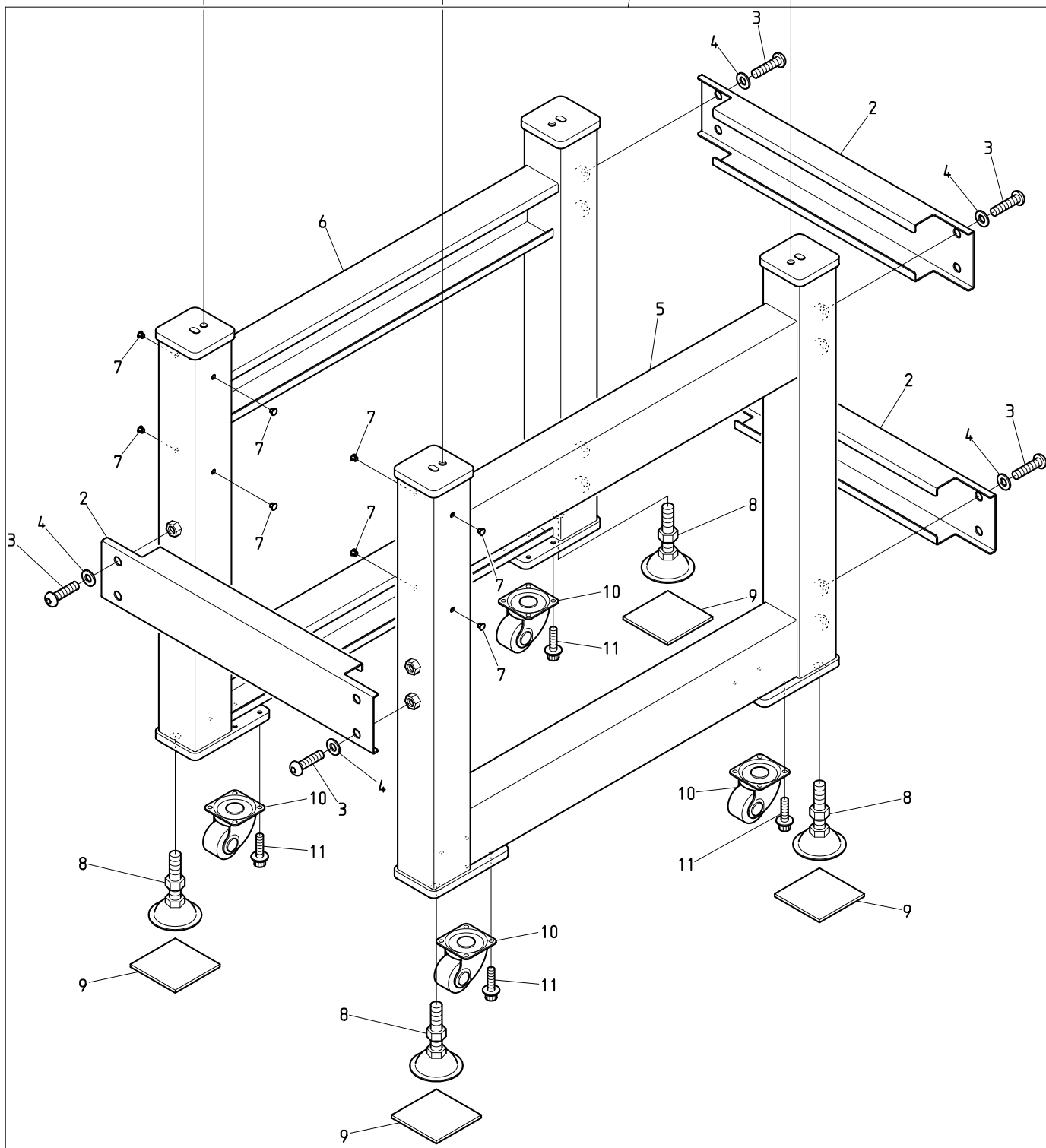
BEKT-S1501CBIII (Mk8)

00D Table・Frame D (Option)
テーブル・フレームD (オプション)



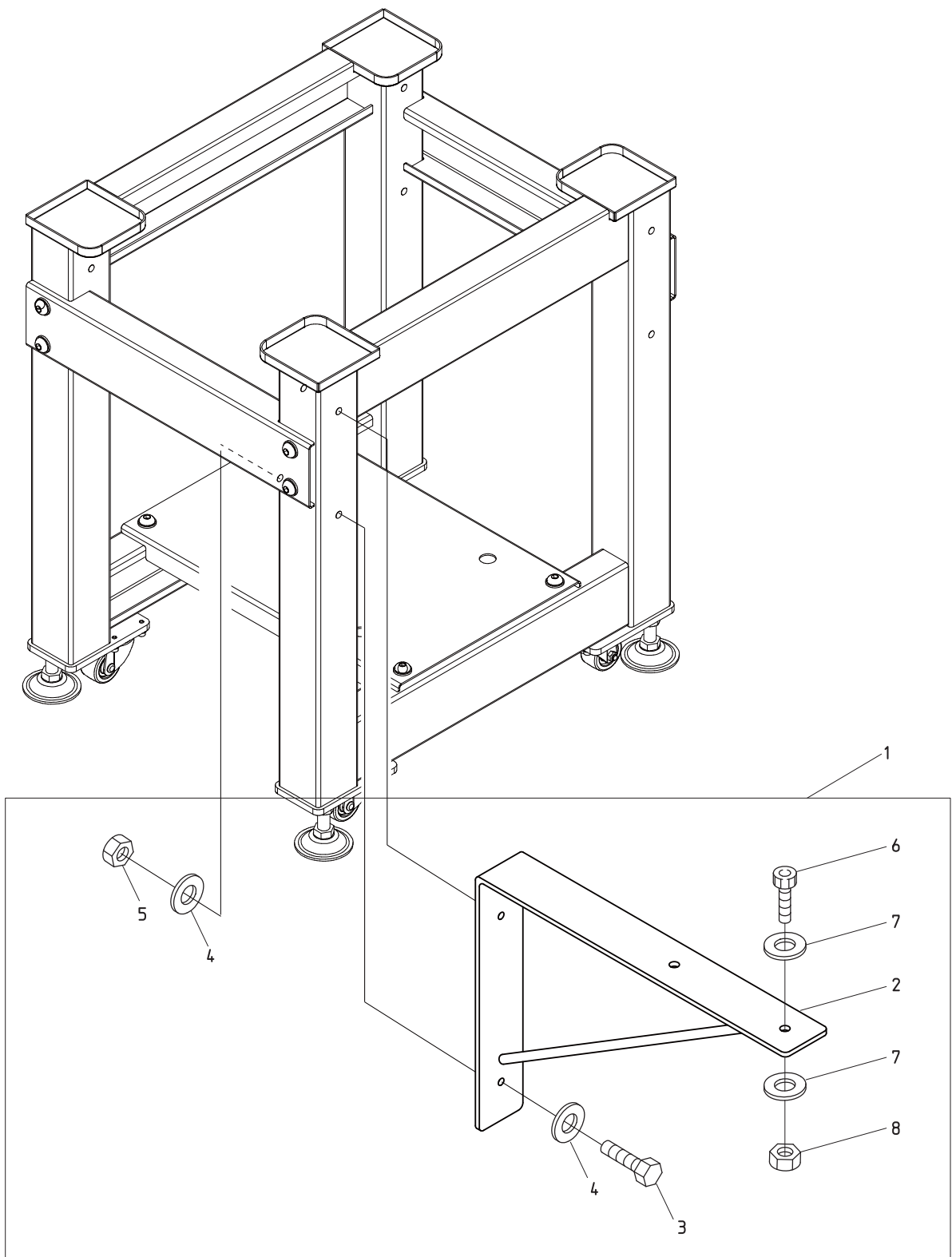
BEKT-S1501CBIII (Mk8)

00E Table・Frame E
テーブル・フレームE

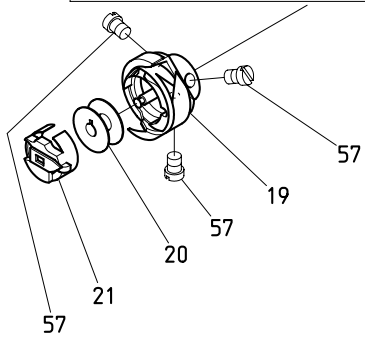
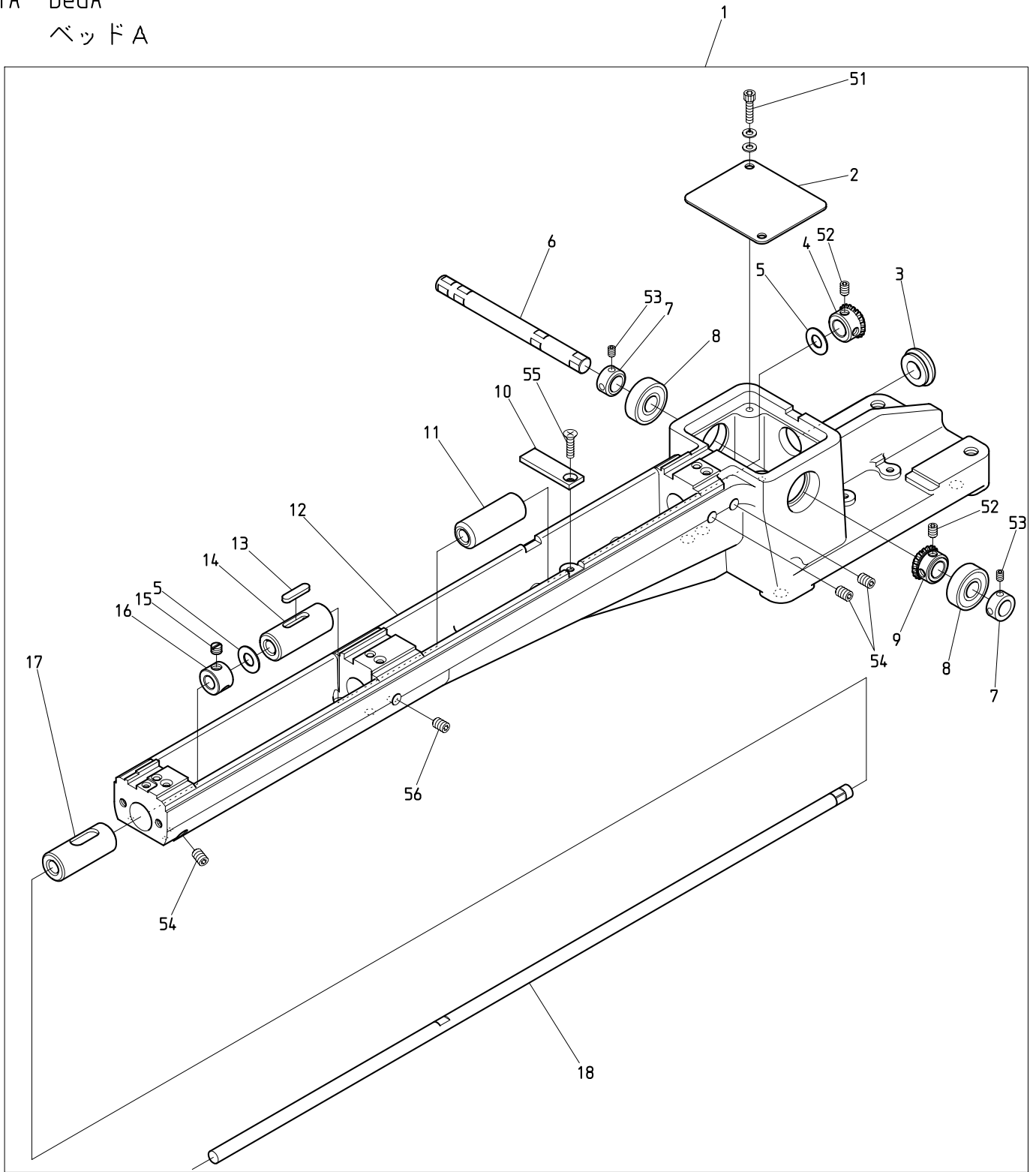


BEKT-S1501CB111(Mk8)

00D Table・Frame D (Option)
テーブル・フレームD (オプション)

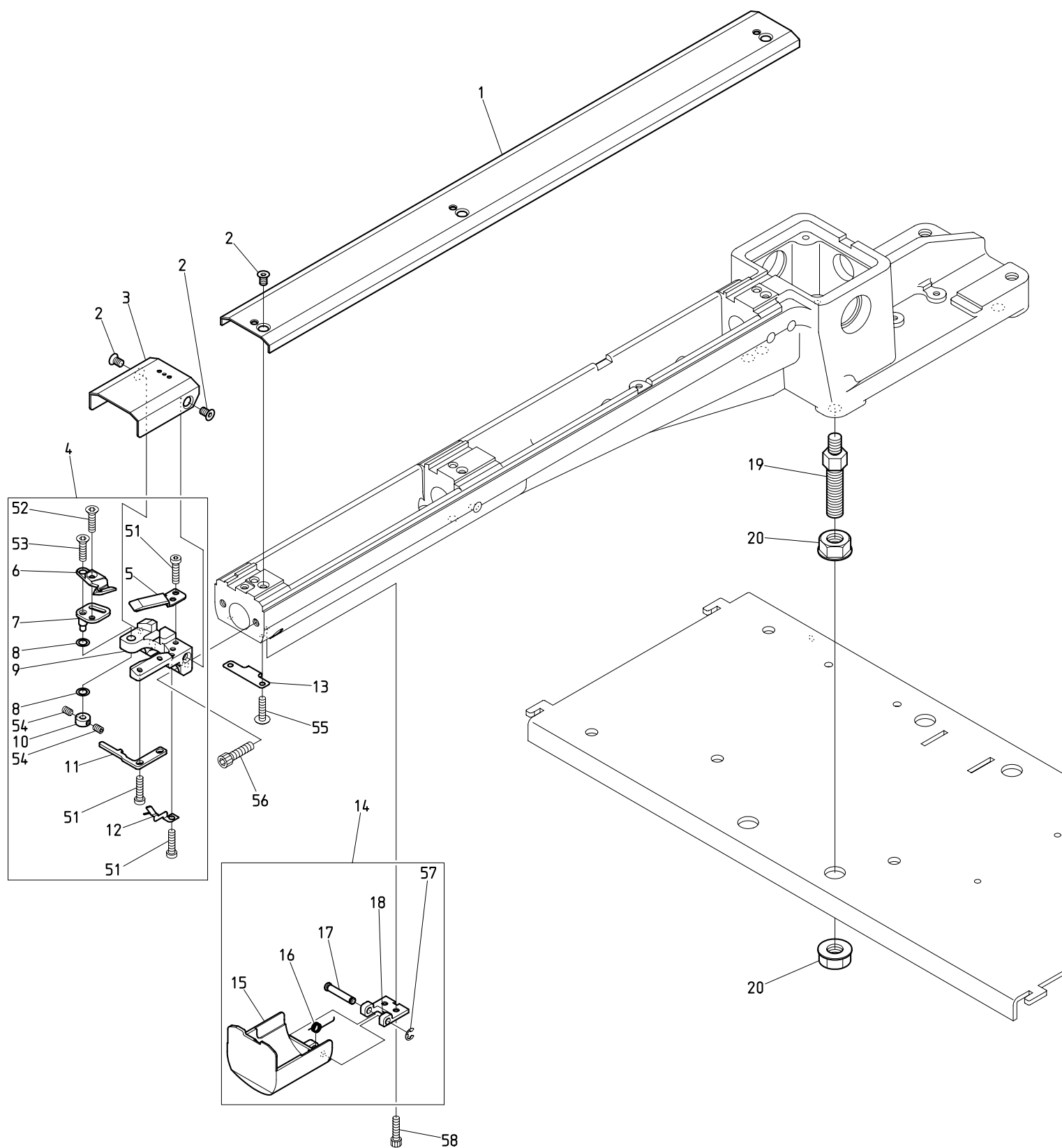


01A bedA
ベッドA



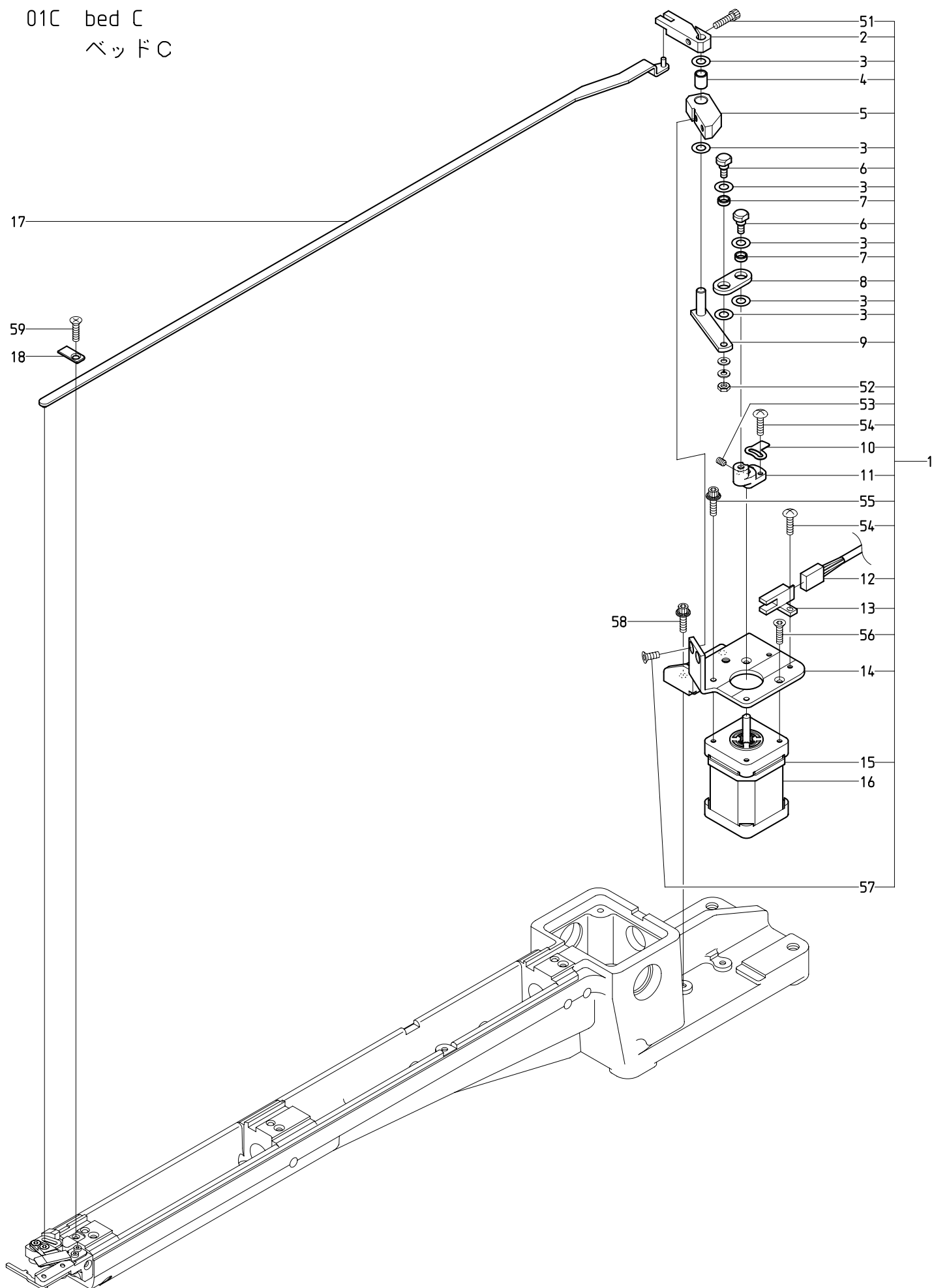
BEKT-S1501CBIII (Mk8)

01B bed B
ベッドB



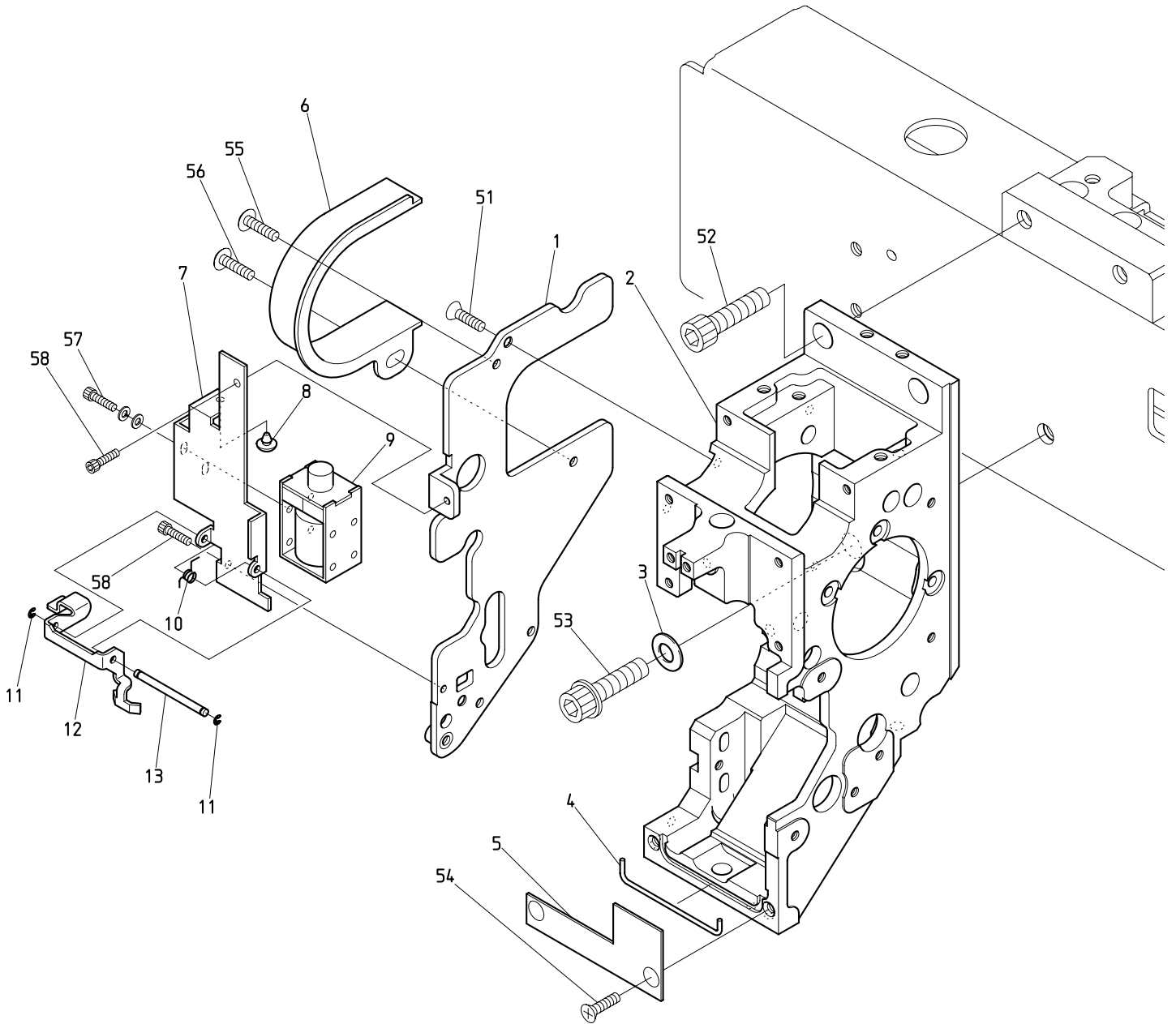
BEKT-S1501CBIII (Mk8)

01C bed C
 ベッドC



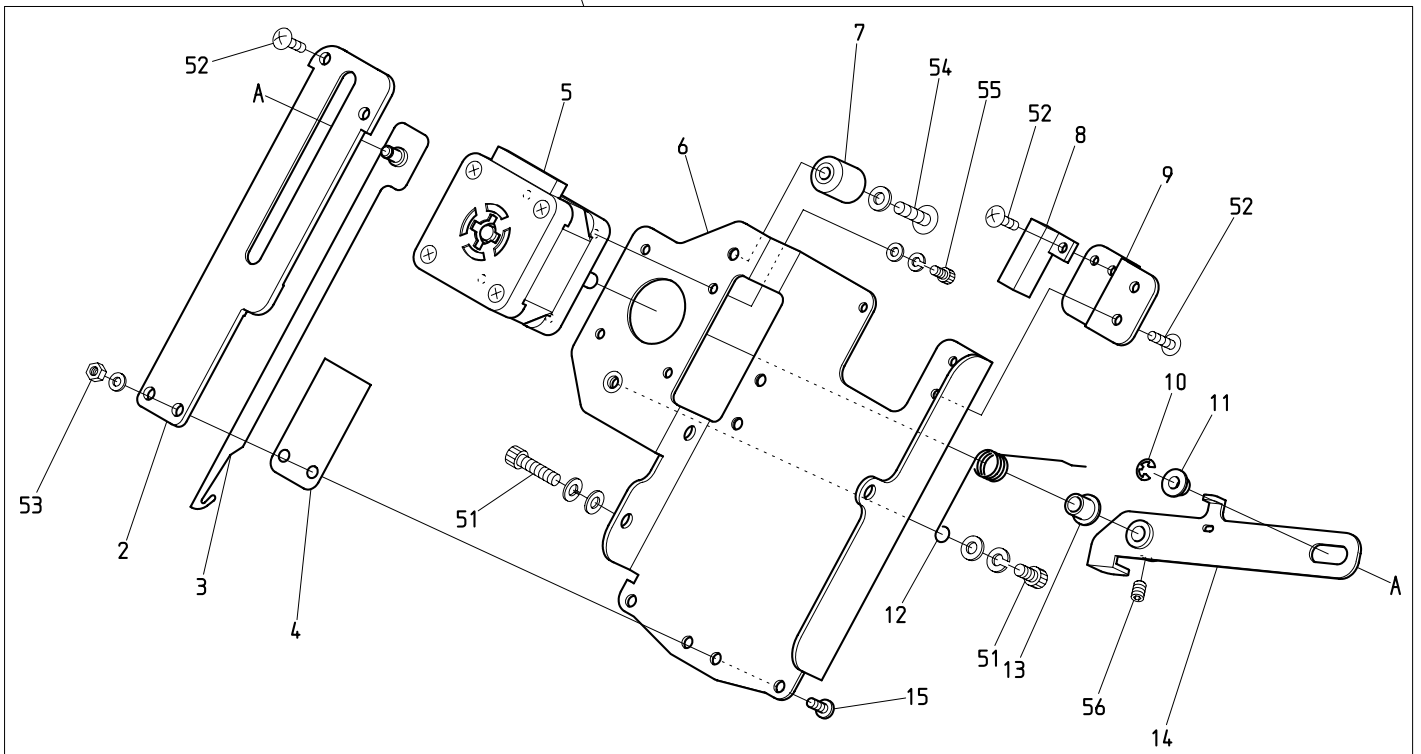
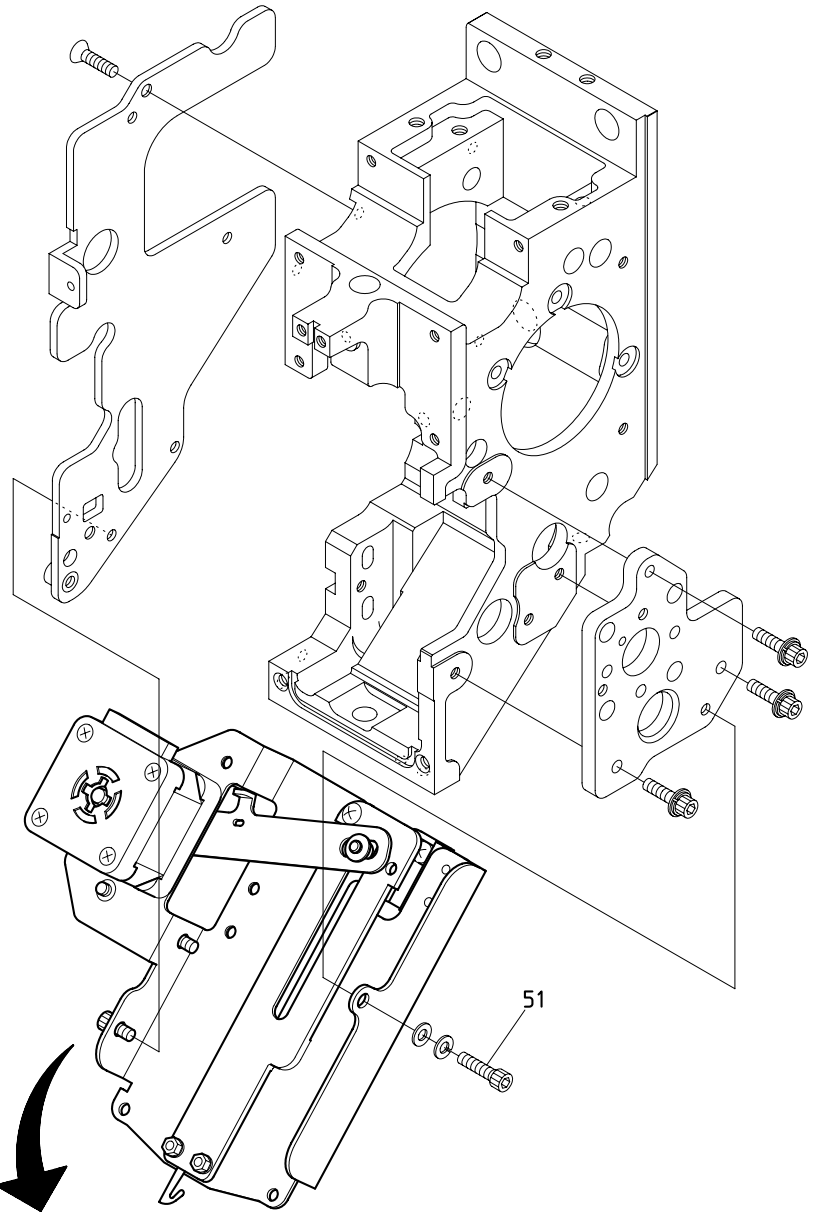
BEKT-S1501CBIII (Mk8)

02A Thread cut A
糸切りA



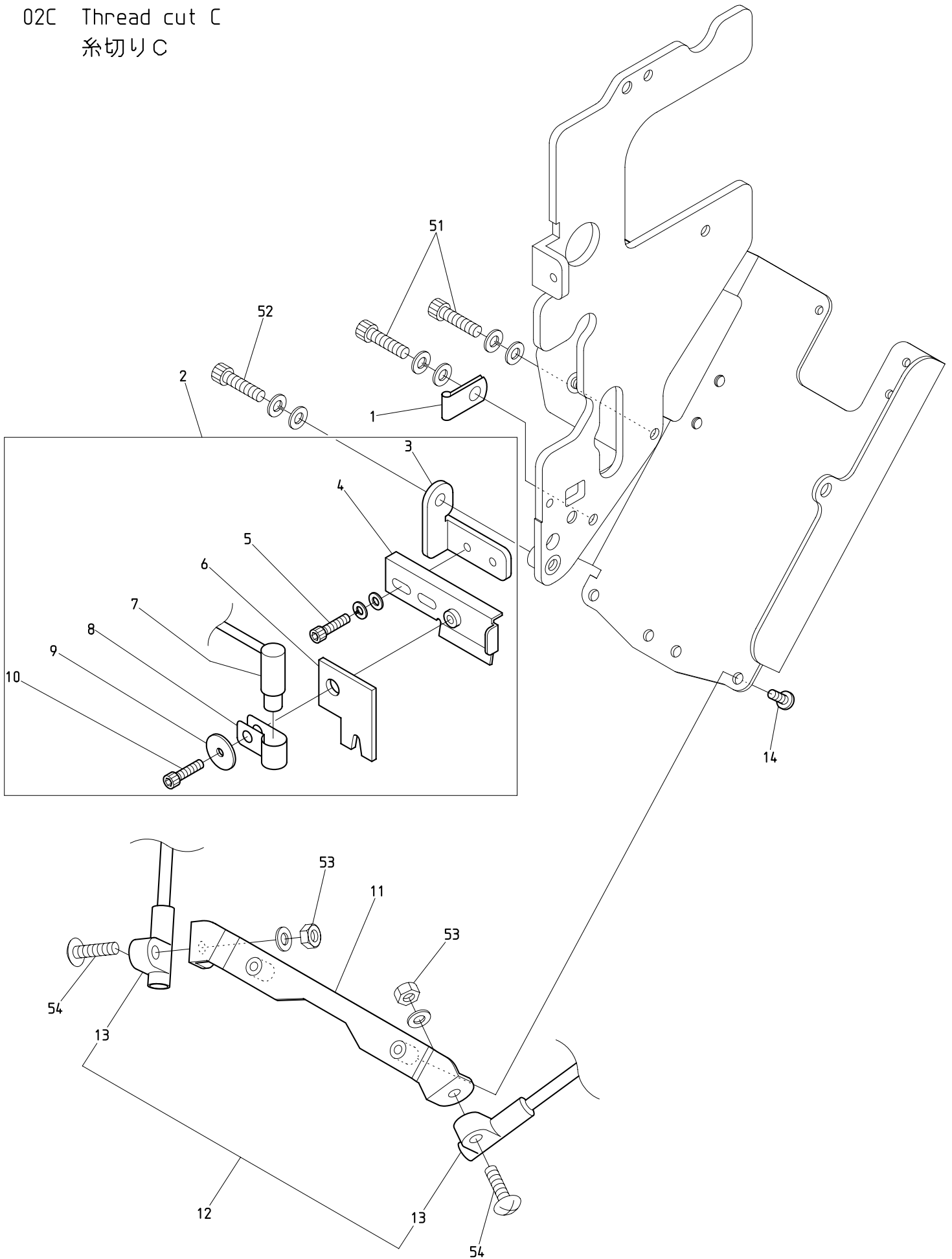
BEKT-S1501CB111 (Mk8)

02B Thread cut B
糸切りB



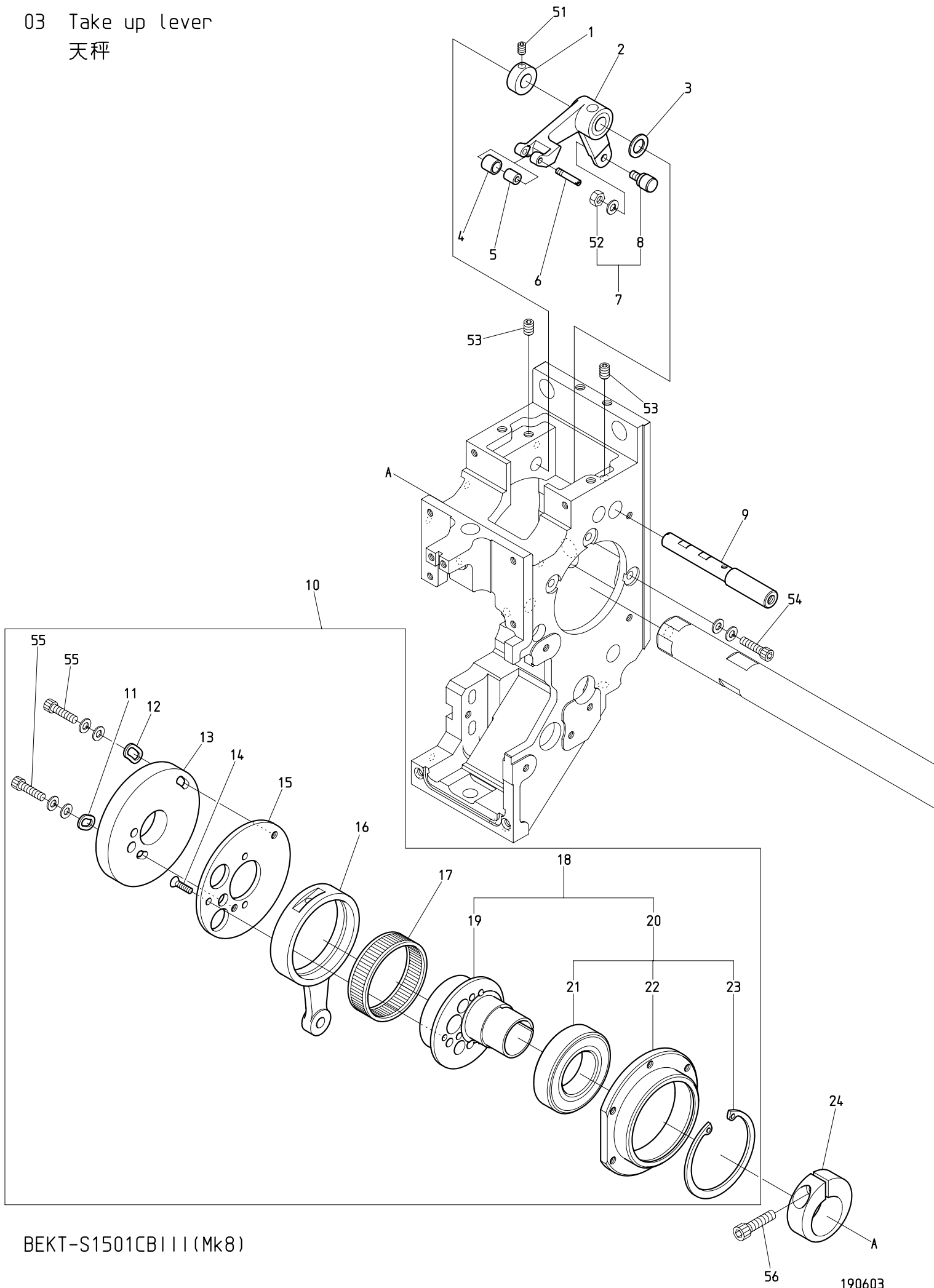
BEKT-S1501CB111 (Mk8)

02C Thread cut C
糸切りC



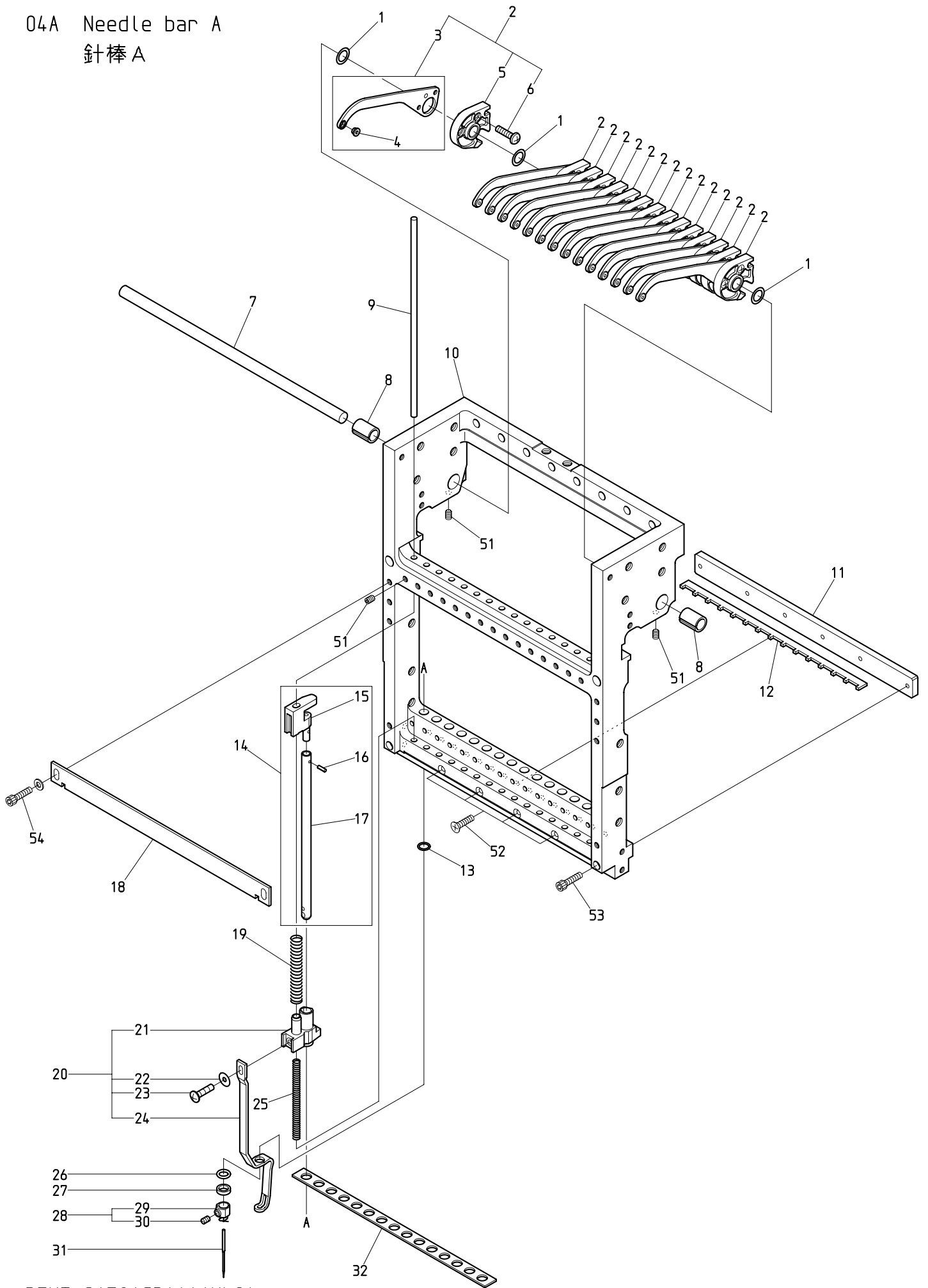
BEKT-S1501CB111 (Mk8)

03 Take up lever
 天秤



BEKT-S1501CB111 (Mk8)

04A Needle bar A
針棒A



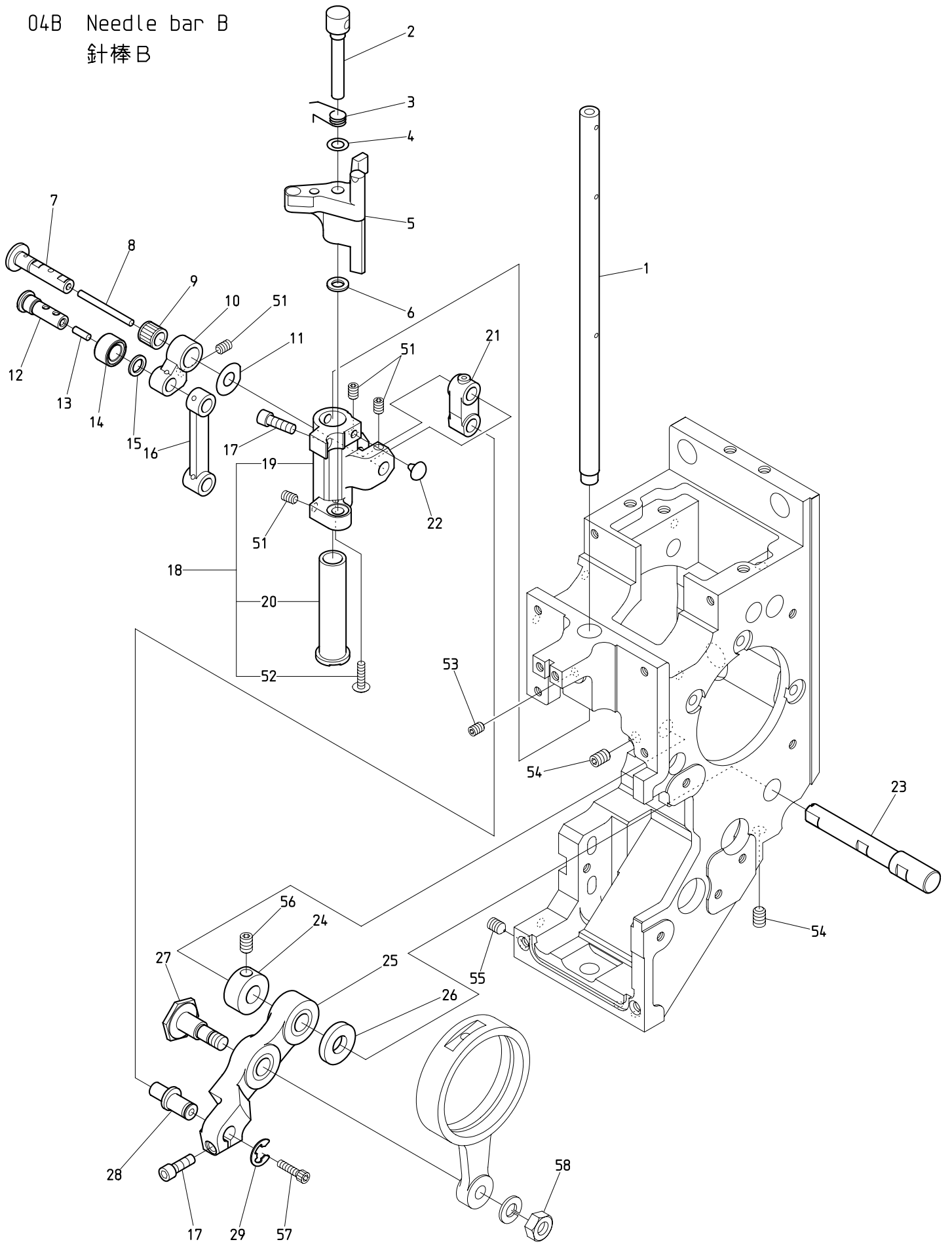
BEKT-S1501CBIII (Mk8)

O 4 A Needle bar A

針棒 A

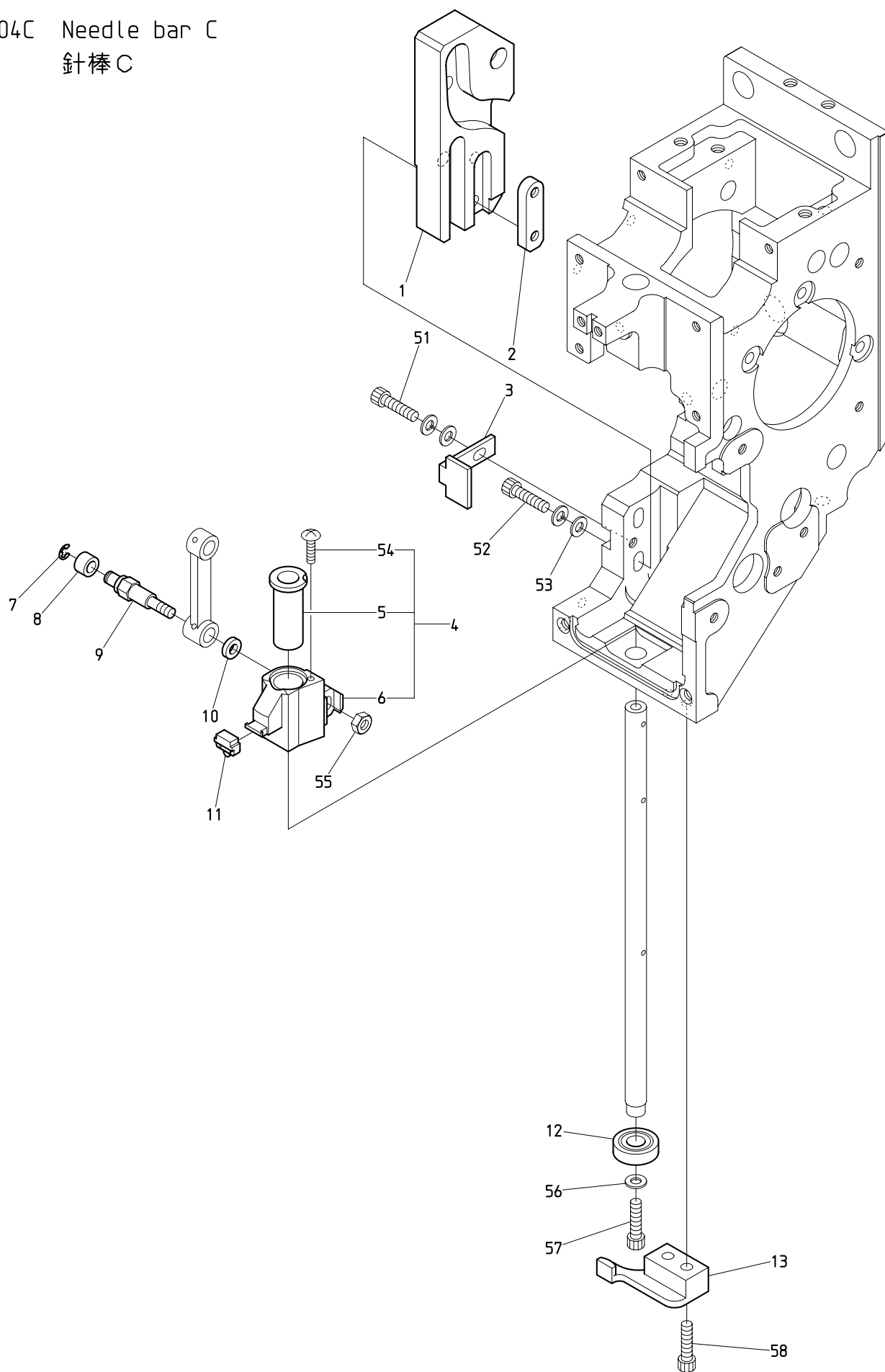
ITEM	LIST No.	DESCRIPTION	部品名	Q'TY	NOTE
1	QK230520	Shim ring 8×12×0.5	シムリング 8×12×0.5	1 6	
2	QK230592	Take up lever a'ssy(S-head)	天秤ASSY(S頭部)	1 5	
3	QK230300C	Take up lever(S-head)	天秤(S頭部)	1 5	
4	HB230751C	Take up lever thread guide	天秤糸道ガイド	1 5	
5	QK230311	Take up lever timing block	天秤従動ブロック	1 5	
6	A1SP10308SOZ	Cross recessed pan screw M3×8 SUS	十字穴付ナベ小ネジ M3×8 SUS	3 0	
7	NBQK230470	Take up lever shaft(S15)	天秤シャフト(S15)	1	
8	NBQK230390	Take up lever collar	天秤割カラー	2	
9	QK230360C	Needle bar guide shaft	針棒ガイド軸	1 5	
10	ME230114	Slide block(KT-S15)	スライドブロック(KT-S15)	1 5	
11	NBQK230501	Bearing plate(S15)	ベアリングプレート(S15)	1	
12	QK230960	Needle bar felt rear(S15)	針棒フェルト後(S15)	1	
13	A9014167	O-ring SS065	Oリング SS065	1 5	
14	QK230451	Needle bar a'ssy(S-head)	針棒ASSY(S頭部)	1 5	
15	QK230380C	Needle bar guide	針棒ガイド	1 5	
16	A9012539	Fluted pin PS03NC2×6.4(Without guide)	溝付ピン PS03NC2×6.4(案内無し)	1 5	
17	QK230370C	Needle bar	針棒	1 5	
18	QK230480	Needle bar stocker(S15)	針棒ストッカー(S15)	1	
19	KV230040	Needle bar spring(Upper, for thick type)	針棒バネ(上, 厚物用)	1 5	
20	QK230561	Cloth hold a'ssy	布押エASSY	1 5	
21	QK230291	Cloth hold clamp	布押エクランプ	1 5	
22	QK230530	Shim ring 3×10×0.3	シムリング 3×10×0.3	1 5	
23	A9012589	Plus-minus binding head screw M3×6 (Trivalent chromate treatment)	プラスマイナスバインド小ネジ M3×6 (三価ホワイト)	1 5	
24	QK230350C	Cloth hold(S-head)	布押エ(S頭部)	1 5	
25	SG230220	Needle bar spring(Lower)	針棒バネ(下)	1 5	
26	KF232130	O-ring(1B-AS568-902) C03091B	Oリング(1B-AS568-902) C03091B	1 5	
27	HT230120	Washer 2.4	ジュラコンワッシャー 2.4	1 5	
28	RH230440	Needle clamp(With hook, set screw)	針止め(フック・止めネジ付)	1 5	
29	RH230450	Needle clamp(With hook)	針止め(フック付)	1 5	
30	RH230460	Needle clamp screw	針止めネジ	1 5	
31	FN070011Q1	Needle(DBXK5Q1-NY11)	針(DBXK5Q1-NY11)	1 5	
32	SL230081	Needle bar felt	針棒フェルト	1	
51		Hex. socket set screw M4×6	六角穴付止めネジ M4×6		
52		Cross recessed countersunk head screw M3×28	十字穴付皿小ネジ M3×28		
53		Hex. socket head cap screw M3×30	六角穴付ボルト M3×30		
54		Hex. socket head cap screw M4×8 (With t0.5 plain washer)	六角穴付ボルト M4×8 (t0.5 平座金付)		

04B Needle bar B
針棒 B



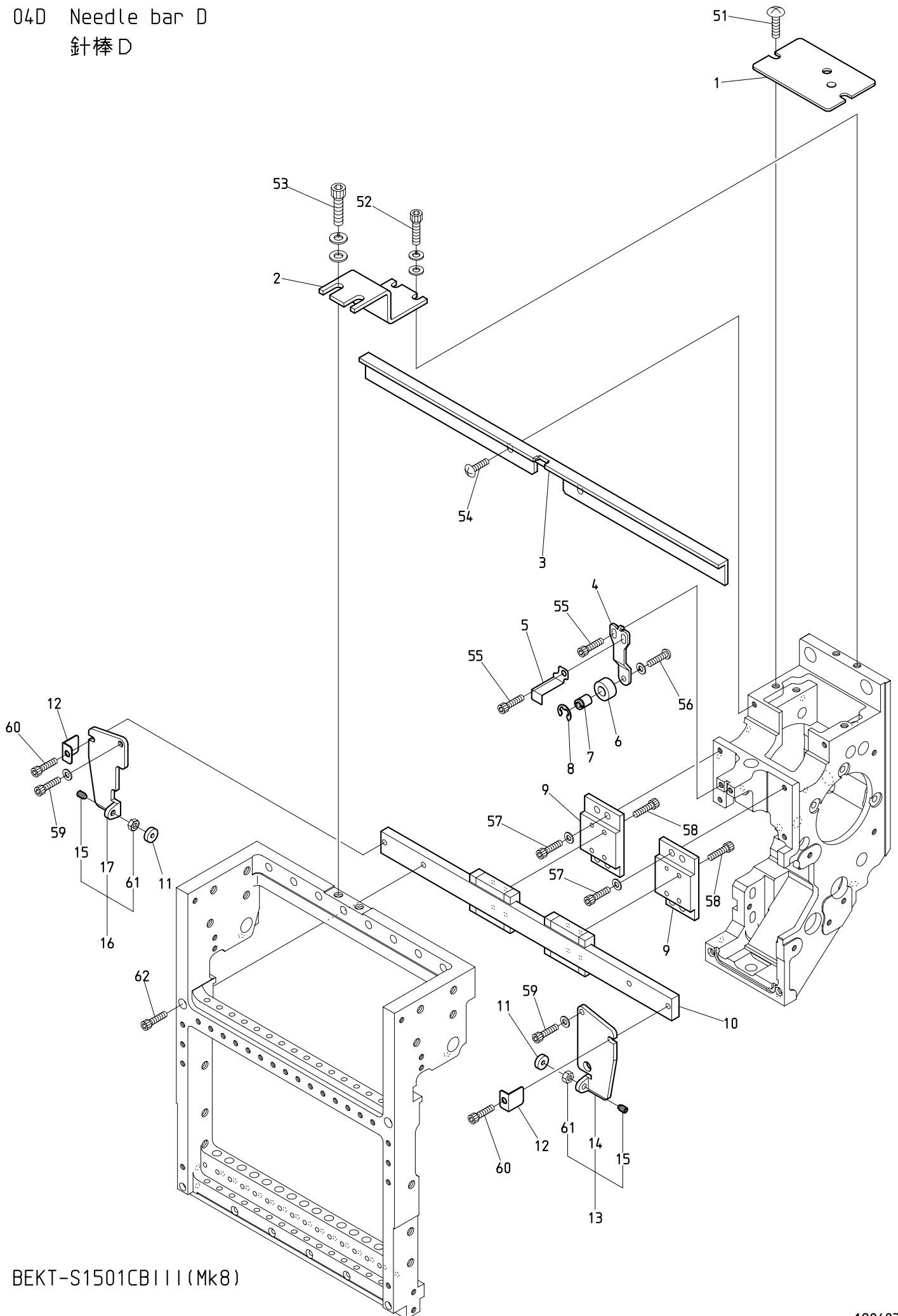
BEKT-S1501CB111 (Mk8)

04C Needle bar C
針棒C



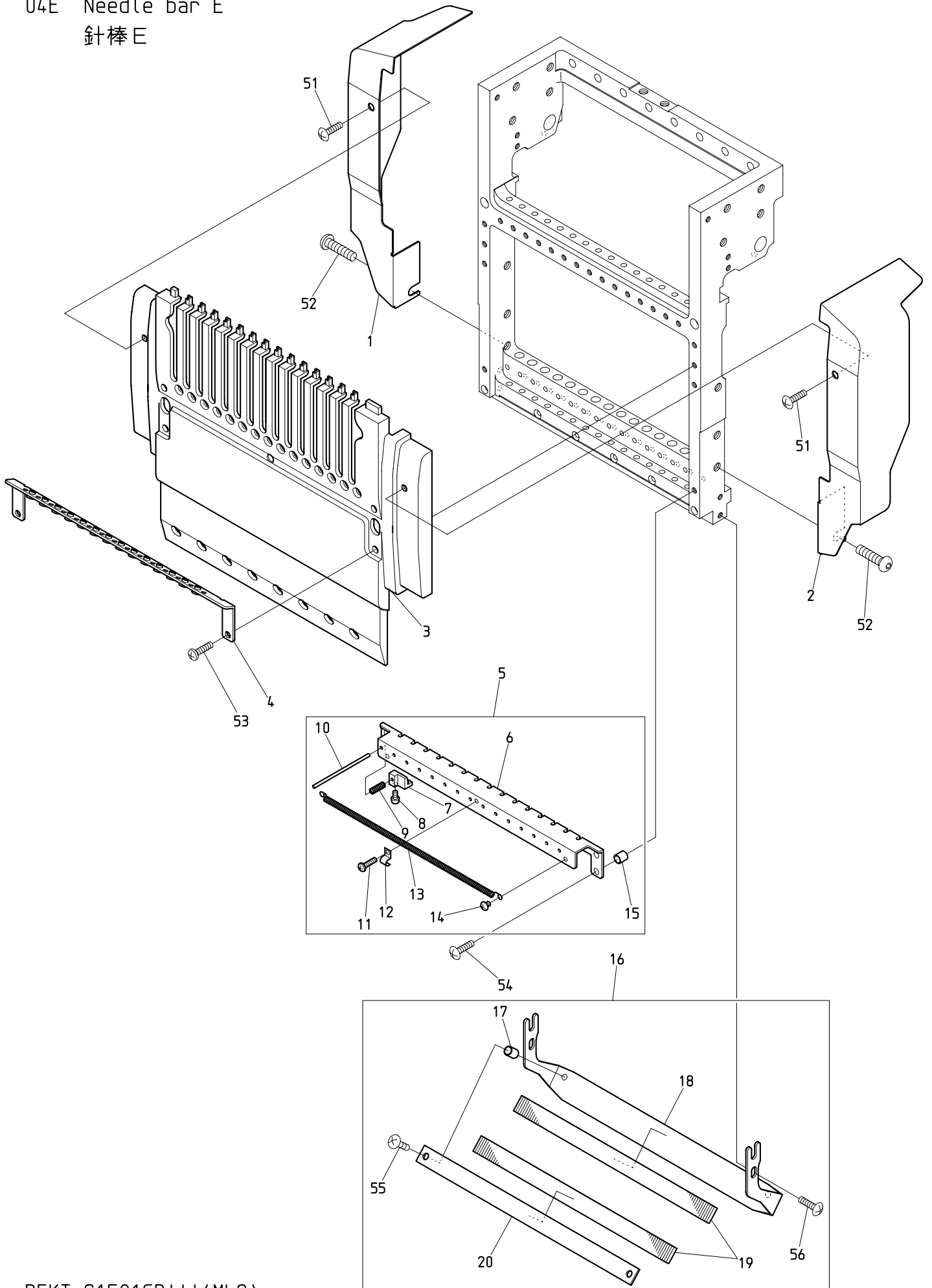
BEKT-S1501CB111 (Mk8)

04D Needle bar D
針棒D



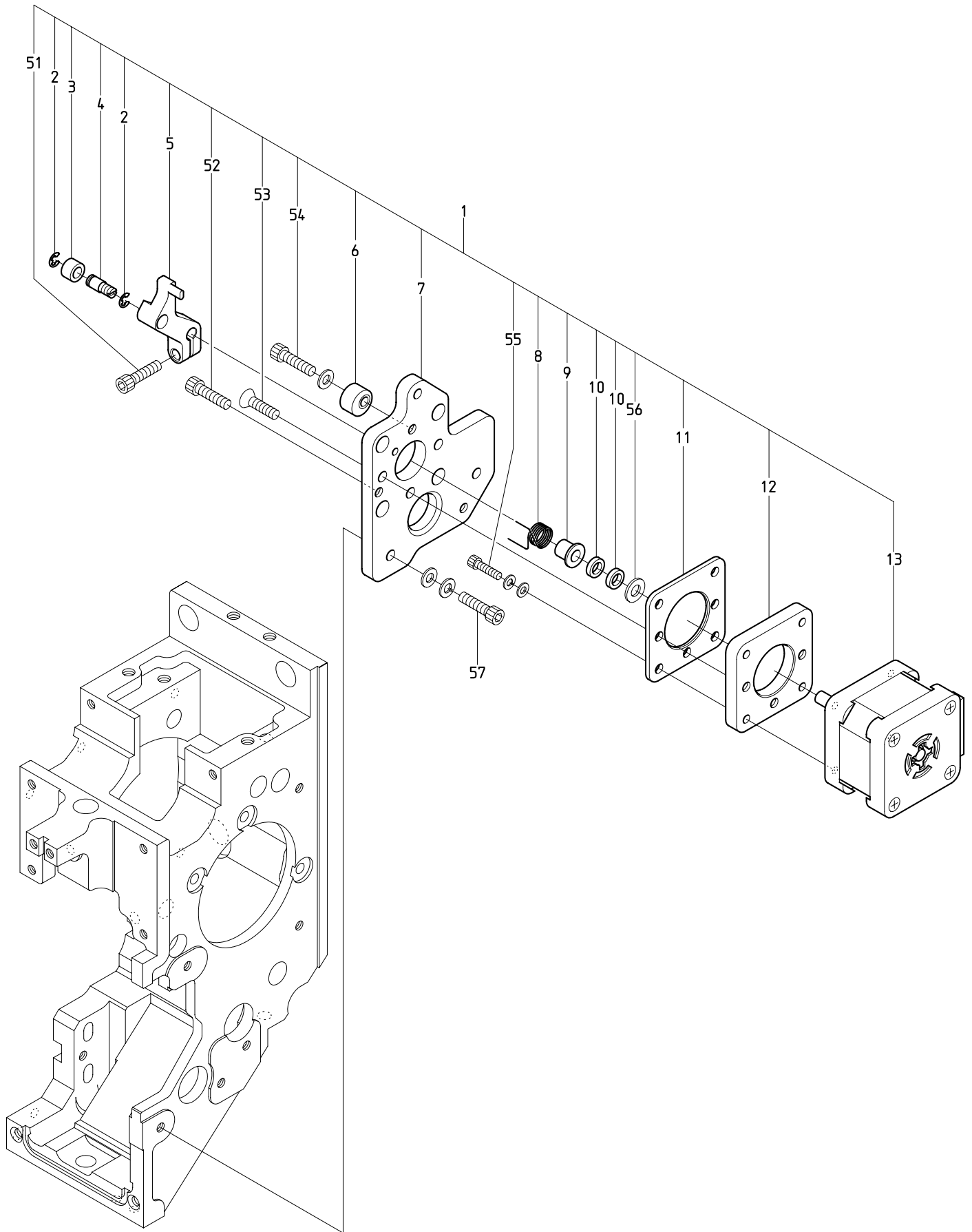
BEKT-S1501CB111 (Mk8)

04E Needle bar E
針棒E



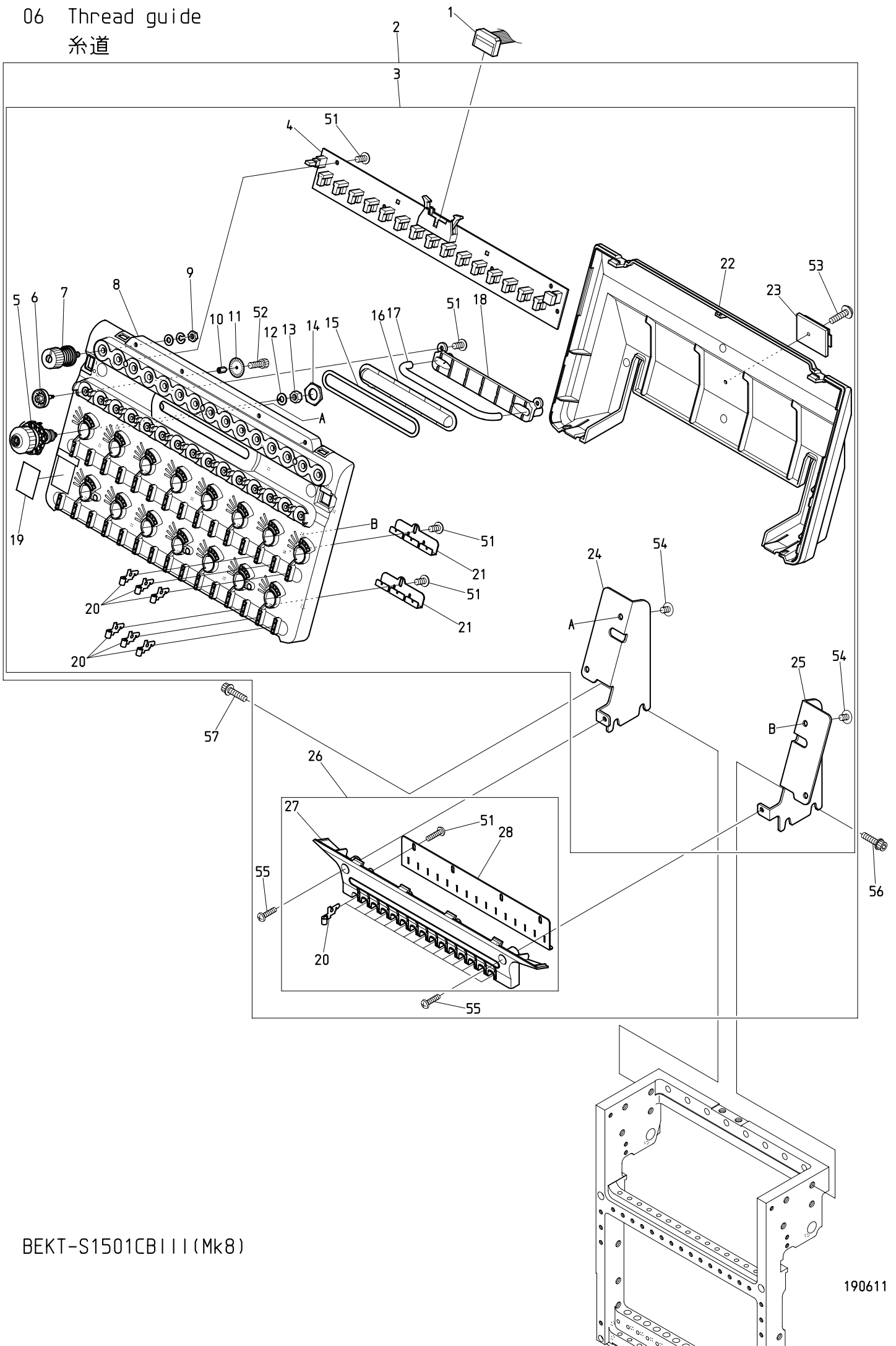
BEKT-S1501CBIII (Mk8)

05 Jump
ジャンプ



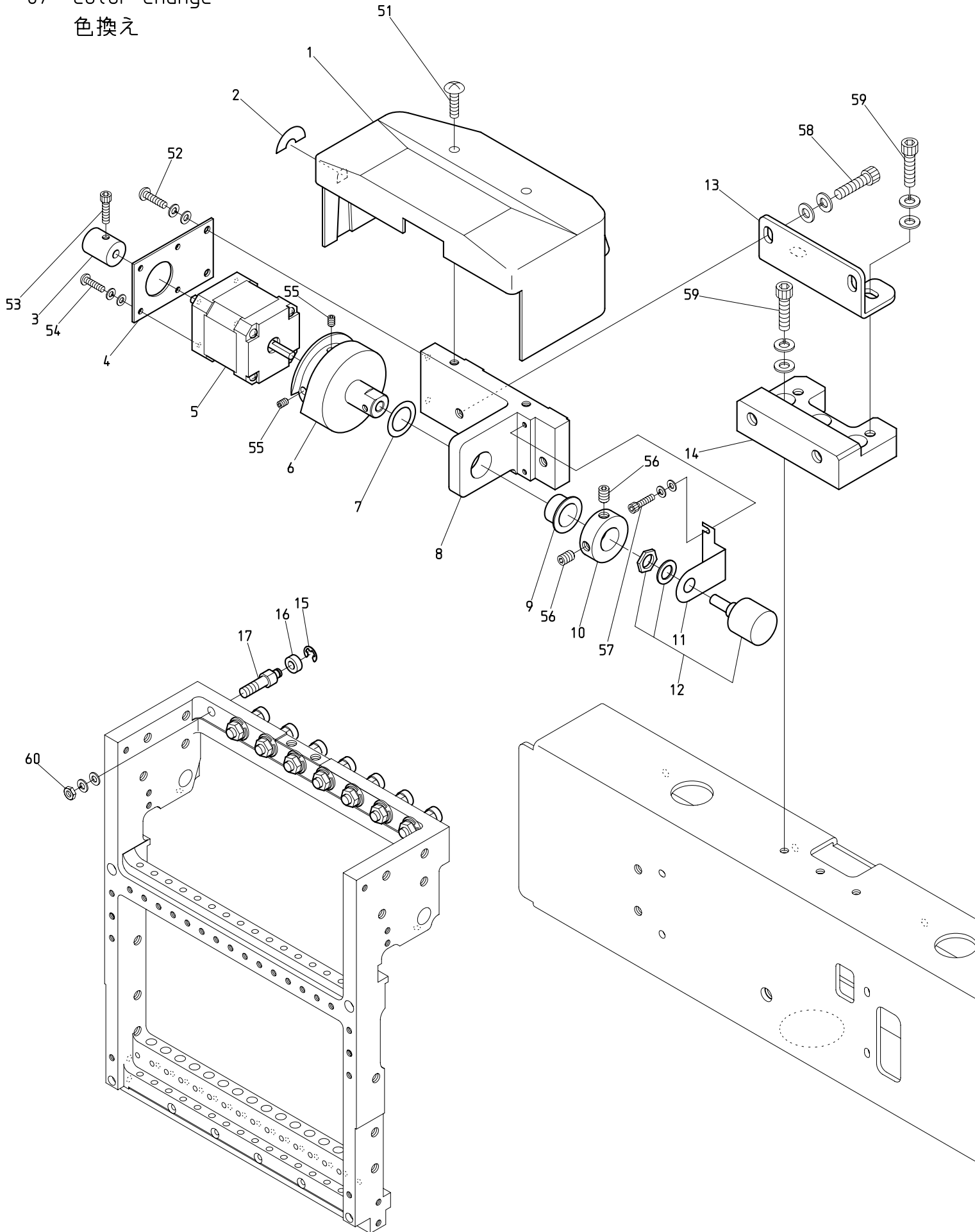
BEKT-S1501CB III (Mk8)

06 Thread guide
糸道



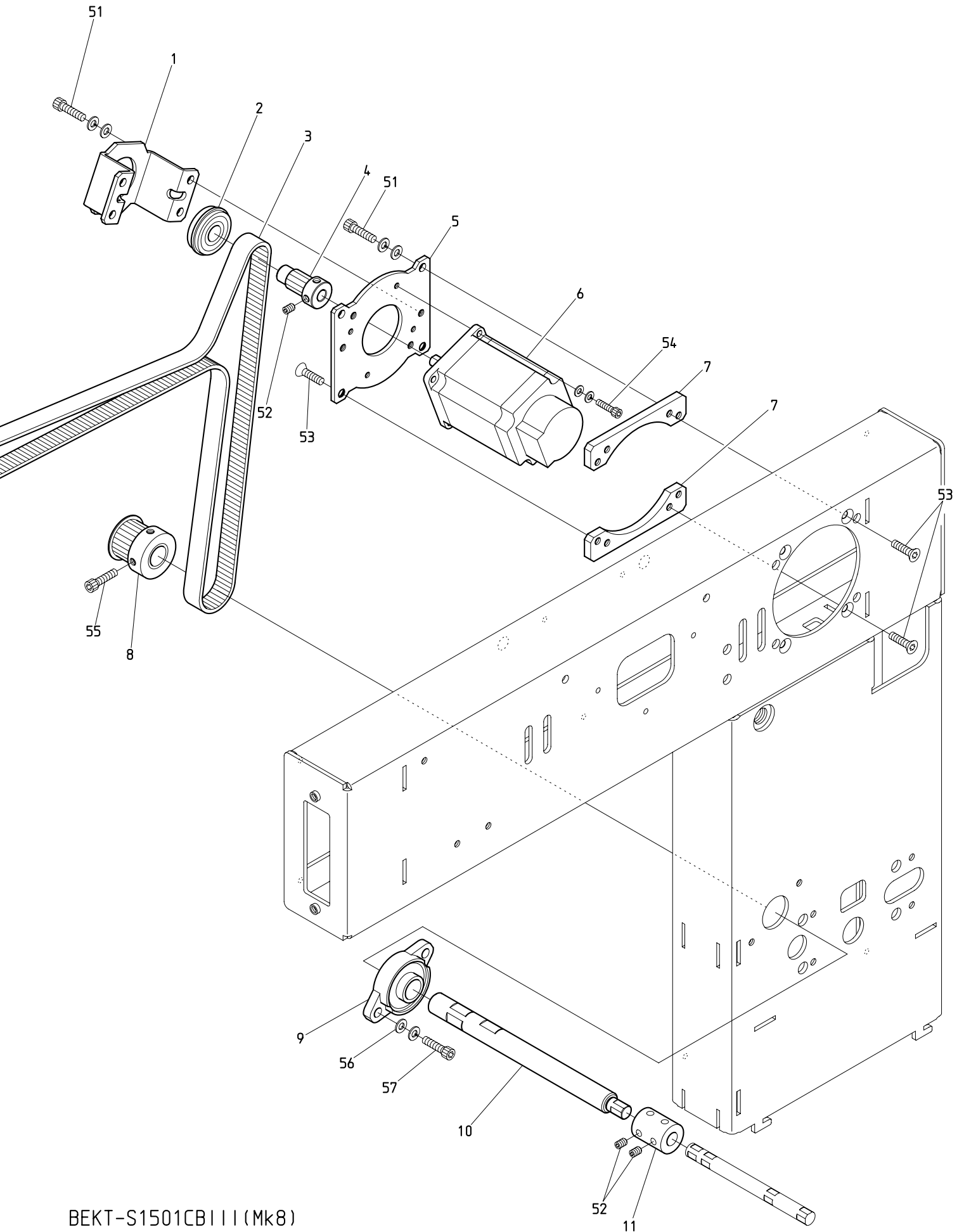
BEKT-S1501CB111 (Mk8)

07 Color change
色換え



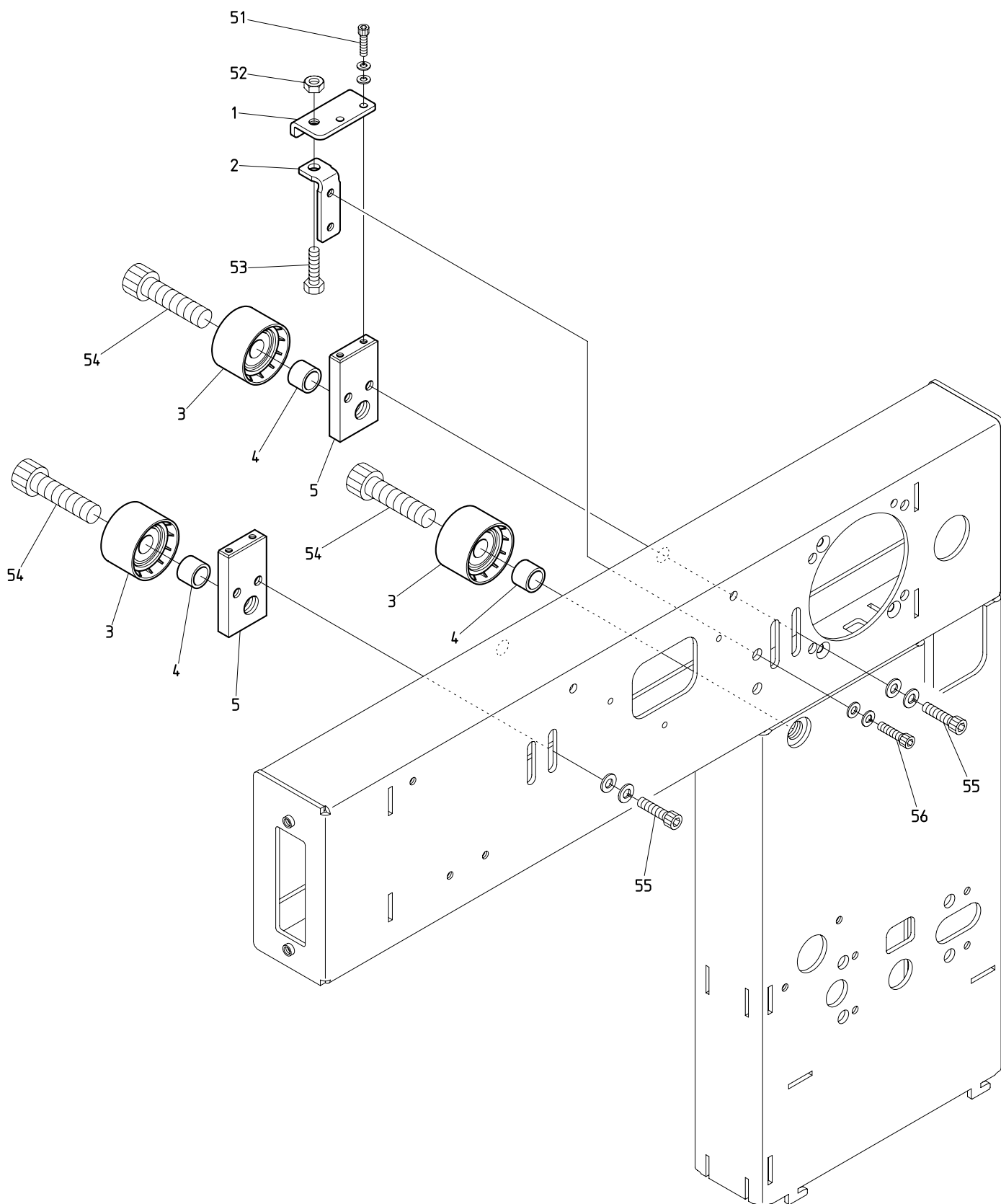
BEKT-S1501CB111 (Mk8)

08A Drive A
駆動A



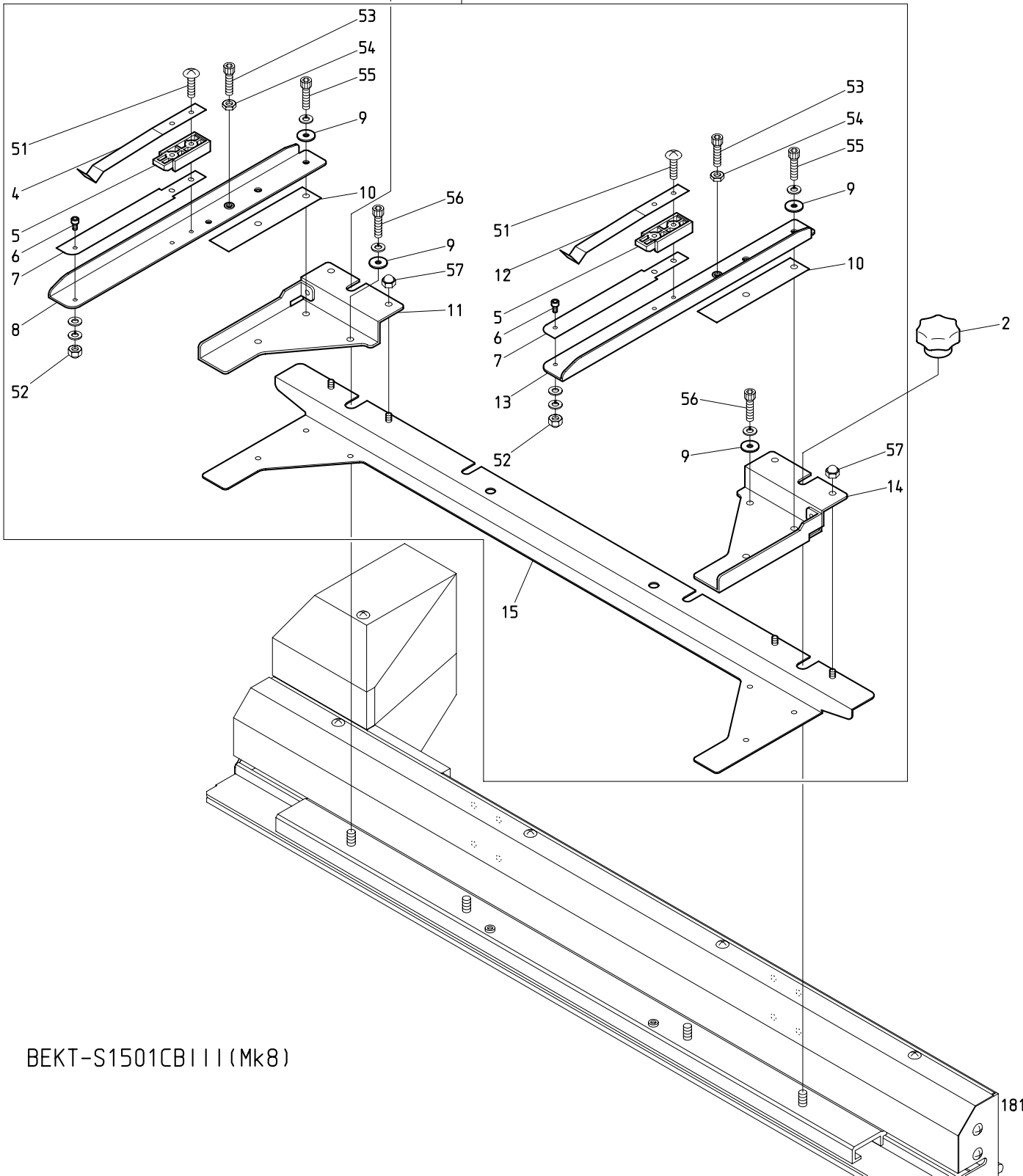
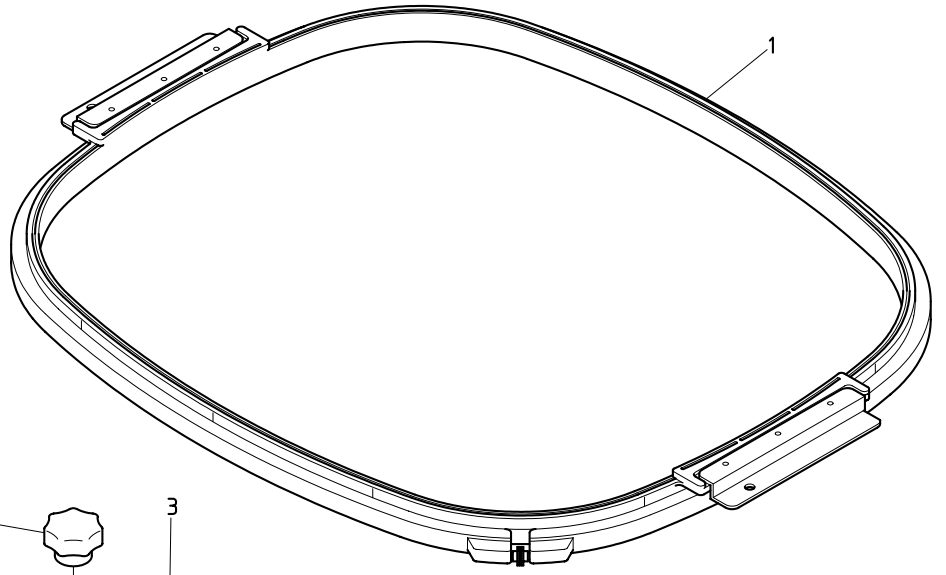
BEKT-S1501CB III (Mk8)

08C Drive C
駆動C



BEKT-S1501CB111 (Mk8)

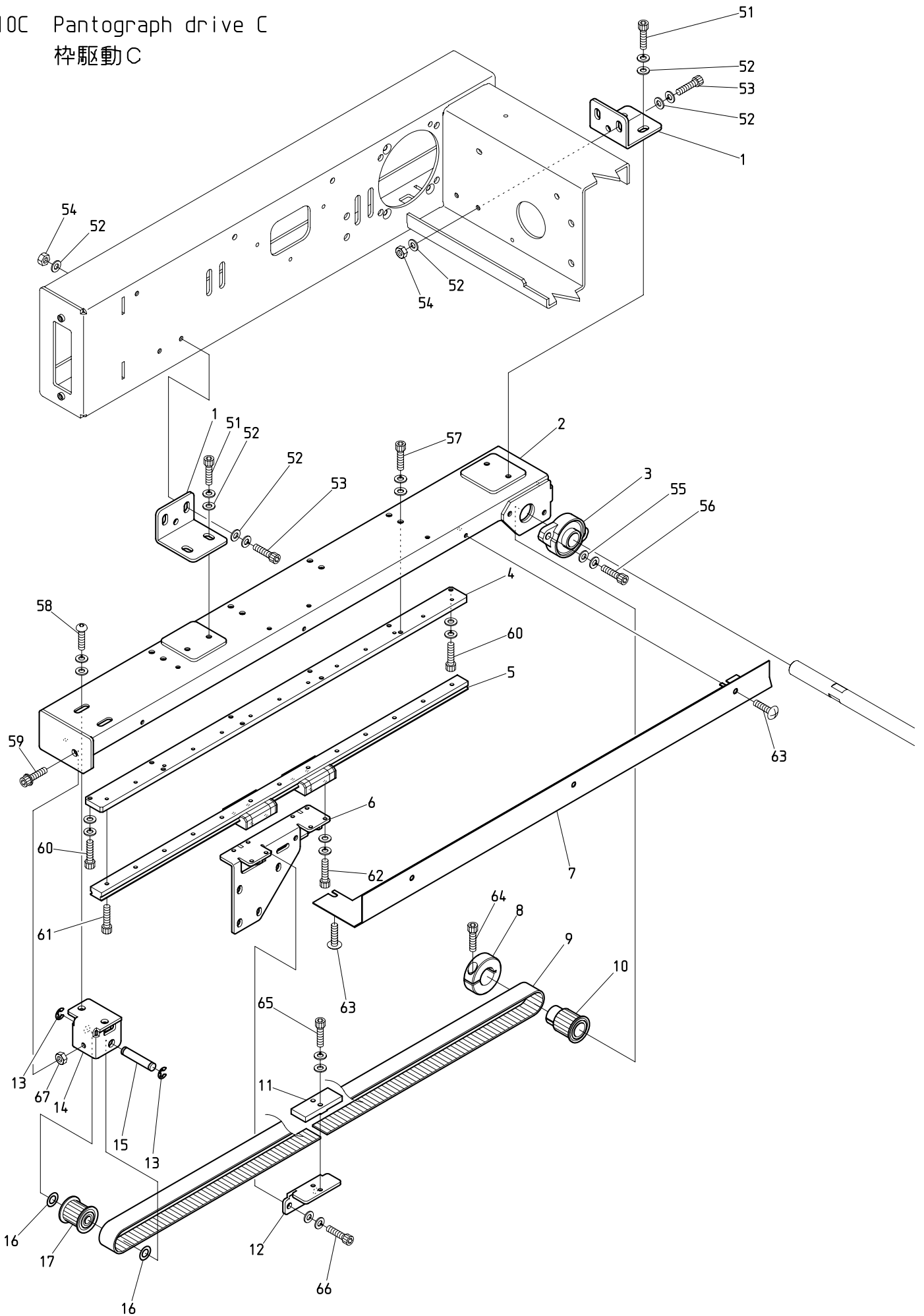
10A Pantograph drive A
杵駆動A



BEKT-S1501CBIII (Mk8)

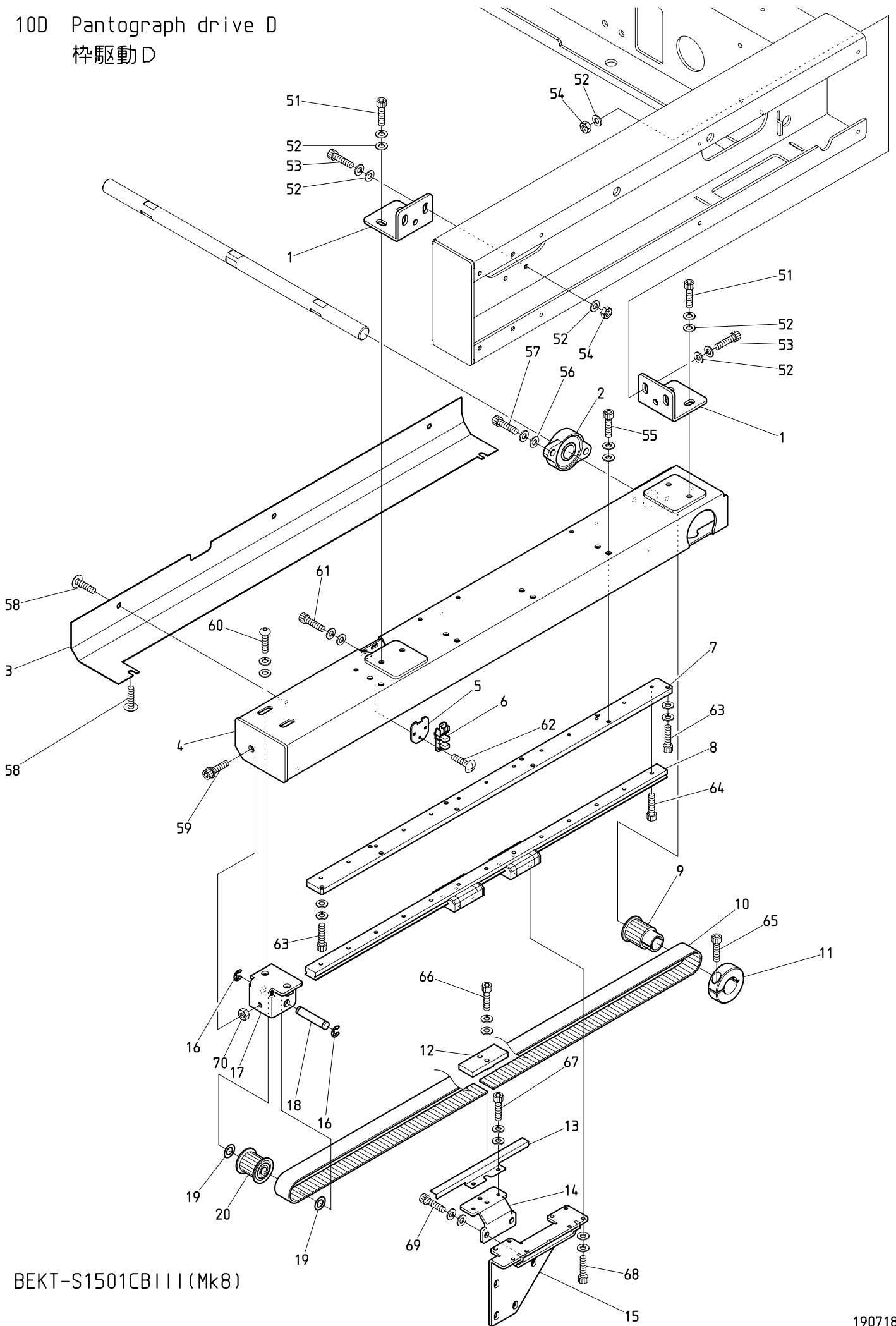
181210

10C Pantograph drive C
 杵駆動C



BEKT-S1501CB111 (Mk8)

10D Pantograph drive D
 枠駆動D



BEKT-S1501CBIII (Mk8)

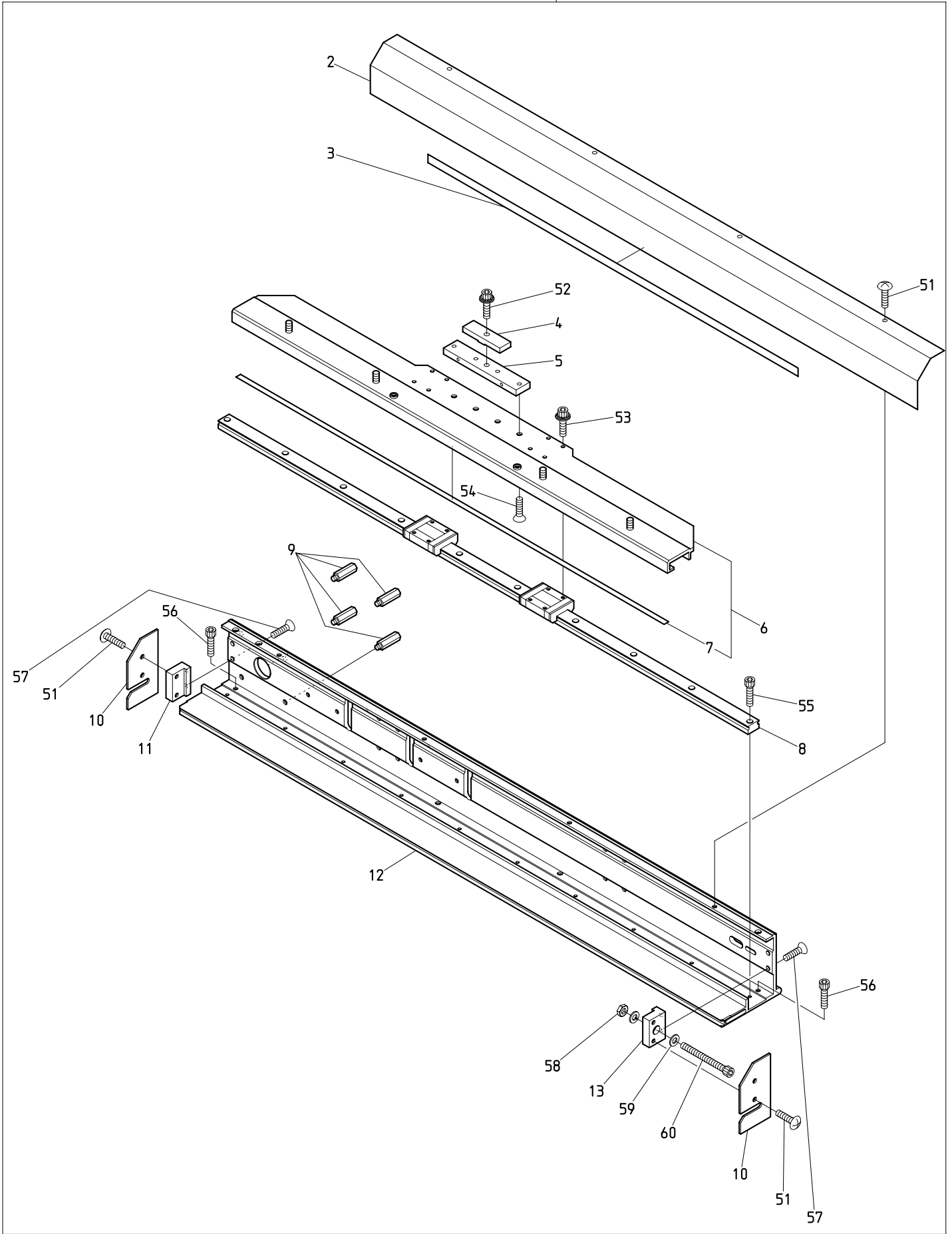
10D Pantograph drive D

枠駆動D

ITEM	LIST No.	DESCRIPTION	部品名	Q'TY	NOTE
1	NF480061	H-rail base mounting stay	Hレール土台取付ステー	2	
2	A9011339	Pillow block(UFL002)	ピローブロック(UFL002)	1	
3	NF250320	H-rail cover (R)	Hレールカバー (R)	1	
4	NF480290	H-rail base (R)	Hレール土台 (R)	1	
5	NF480370	H-shaft sensor mounting plate	H軸センサー取付プレート	1	
6	EDY01000	Photo interrupter (LG2A18D2)	フォトインタラプタ (LG2A18D2)	1	
7	NF480020C	H-shaft LM rail base plate	H軸LMレールベースプレート	1	
8	NF480030	LM guide (2SRS15MUU+510LM)	LMガイド (2SRS15MUU+510LM)	1	
9	MR480180	H-shaft drive pulley	H軸駆動プーリー	1	
10	MR480160	Timing belt (020-MA3-20000E-L)	タイミングベルト (020-MA3-20000E-L)	1	1203mm/1 piece 1203mm/1本
11	NBOHH481980	φ19 clamp	φ19割リクランプ	1	
12	NF480280	H-shaft belt clamp	H軸ベルトクランプ	1	
13	NF480380	H-shaft sensor detecting piece	H軸センサー検知片	1	
14	NF480330	H-shaft belt base (R)	H軸ベルトベース (R)	1	
15	NF480310	H-shaft slide bracket (R)	H軸スライドブラケット (R)	1	
16	A9012051	E type retaining ring φ6	E型止メ輪 φ6	2	
17	NF480350	H-shaft belt tension bracket (R)	H軸ベルトテンションブラケット (R)	1	
18	MR480250	H-shaft belt tension shaft	H軸ベルトテンションシャフト	1	
19	A9012164	Thrust washer (R-TW0815)	ルーロンスラストワッシャー (R-TW0815)	2	
20	MR480190	H-shaft timing pulley	H軸従動プーリー	1	
51		Hex. socket head cap screw M5×10 (With spring washer)	六角穴付ボルト M5×10 (バネ座金付)		
52		Plain washer φ5×φ16×t1.6	平座金 φ5×φ16×t1.6		
53		Hex. socket head cap screw M5×15 (With spring washer)	六角穴付ボルト M5×15 (バネ座金付)		
54		Hex. nut M5 I	六角ナット M5 1種		
55		Hex. socket head cap screw M4×10 (With washers)	六角穴付ボルト M4×10 (平座金 バネ座金付)		
56		Plain washer φ5×φ13×t1.6	平座金 φ5×φ13×t1.6		
57		Hex. socket head cap screw M5×18 (With spring washer)	六角穴付ボルト M5×18 (バネ座金付)		
58		Truss head screw M4×6	十字穴付トラス小ネジ M4×6		
59		Hex. flange socket head cap screw M5×18	フランジ付六角穴付ボルト M5×18		
60		Hex. socket button head screw M6×15 (With washers)	六角穴付ボタンボルト M6×15 (平座金 バネ座金付)		
61		Hex. socket head cap screw M3×8 (With washers)	六角穴付ボルト M3×8 (平座金 バネ座金付)		
62		Truss head screw M3×4	十字穴付トラス小ネジ M3×4		
63		Hex. socket head cap screw M4×5 (With washers)	六角穴付ボルト M4×5 (平座金 バネ座金付)		
64		Hex. socket head cap screw M3×10	六角穴付ボルト M3×10		
65		Hex. socket head cap screw M5×18	六角穴付ボルト M5×18		
66		Hex. socket head cap screw M4×12 (With washers)	六角穴付ボルト M4×12 (平座金 バネ座金付)		
67		Hex. socket head cap screw M3×5 (With washers)	六角穴付ボルト M3×5 (平座金 バネ座金付)		
68		Hex. socket head cap screw M3×8 (With washers)	六角穴付ボルト M3×8 (平座金 バネ座金付)		
69		Hex. socket head cap screw M5×10 (With washers)	六角穴付ボルト M5×10 (平座金 バネ座金付)		
70		Hex. nut M5 II	六角ナット M5 2種		

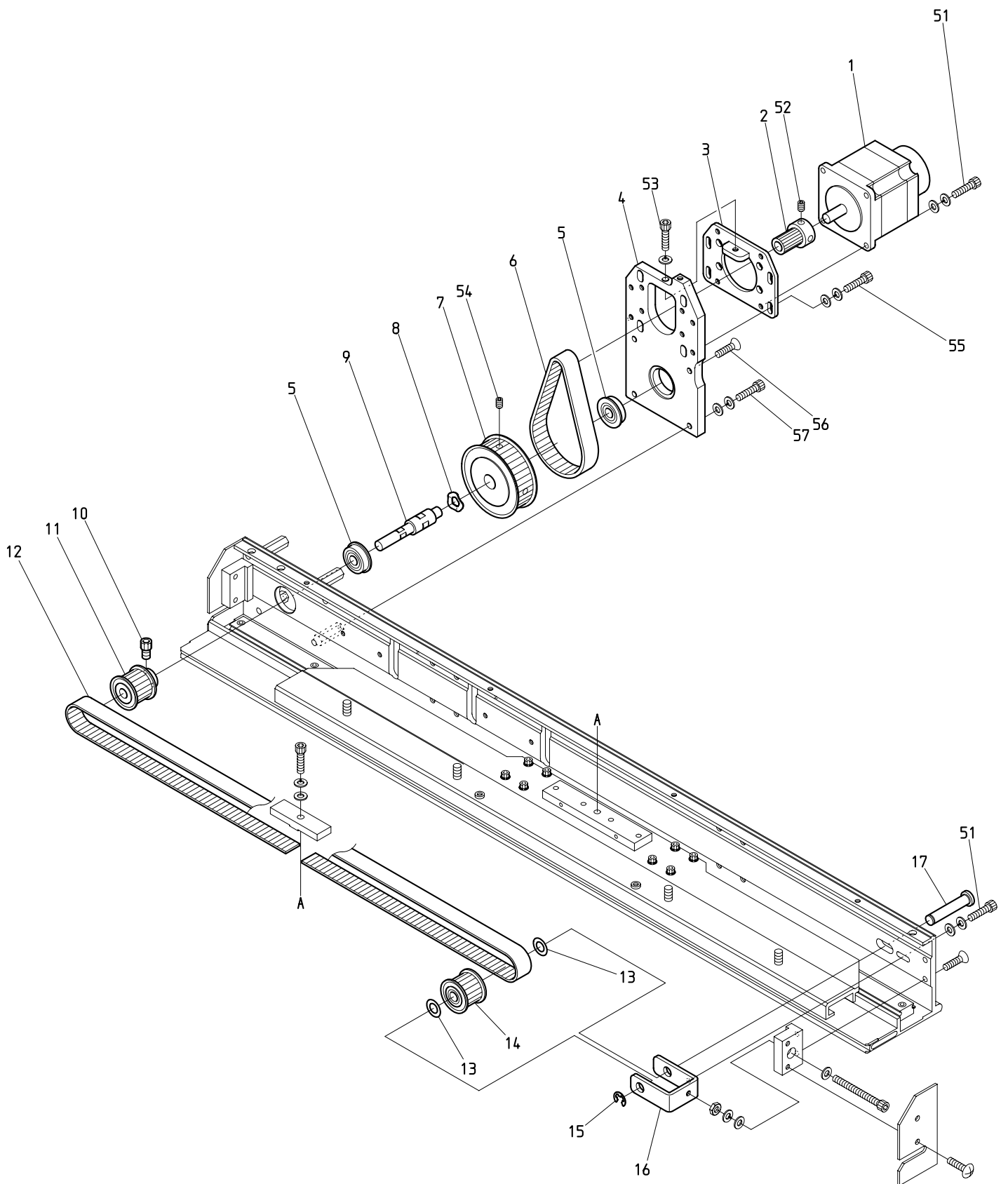
10E Pantograph drive E
杵駆動E

1



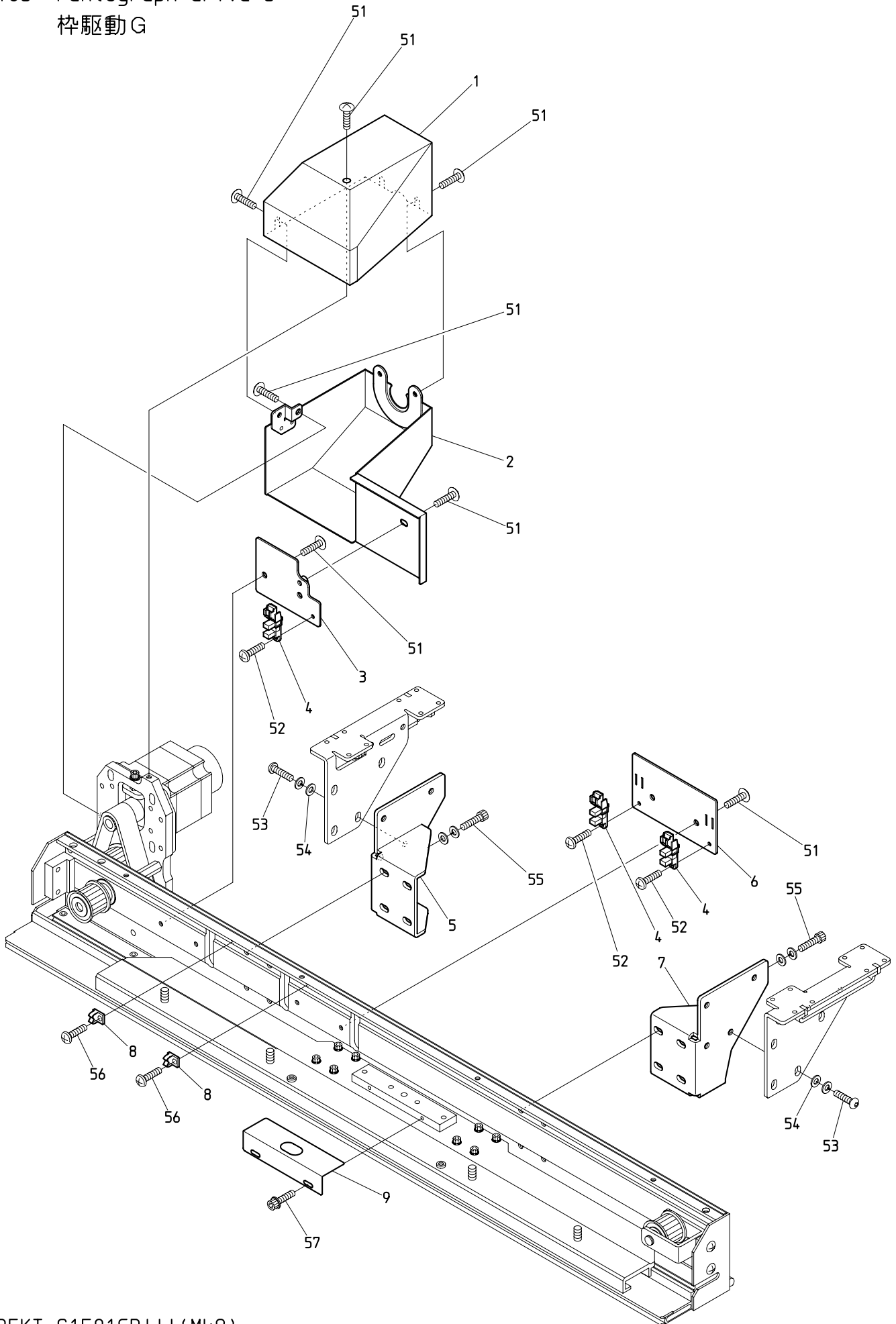
BEKT-S1501CBIII (Mk8)

10F Pantograph drive F
杵駆動F



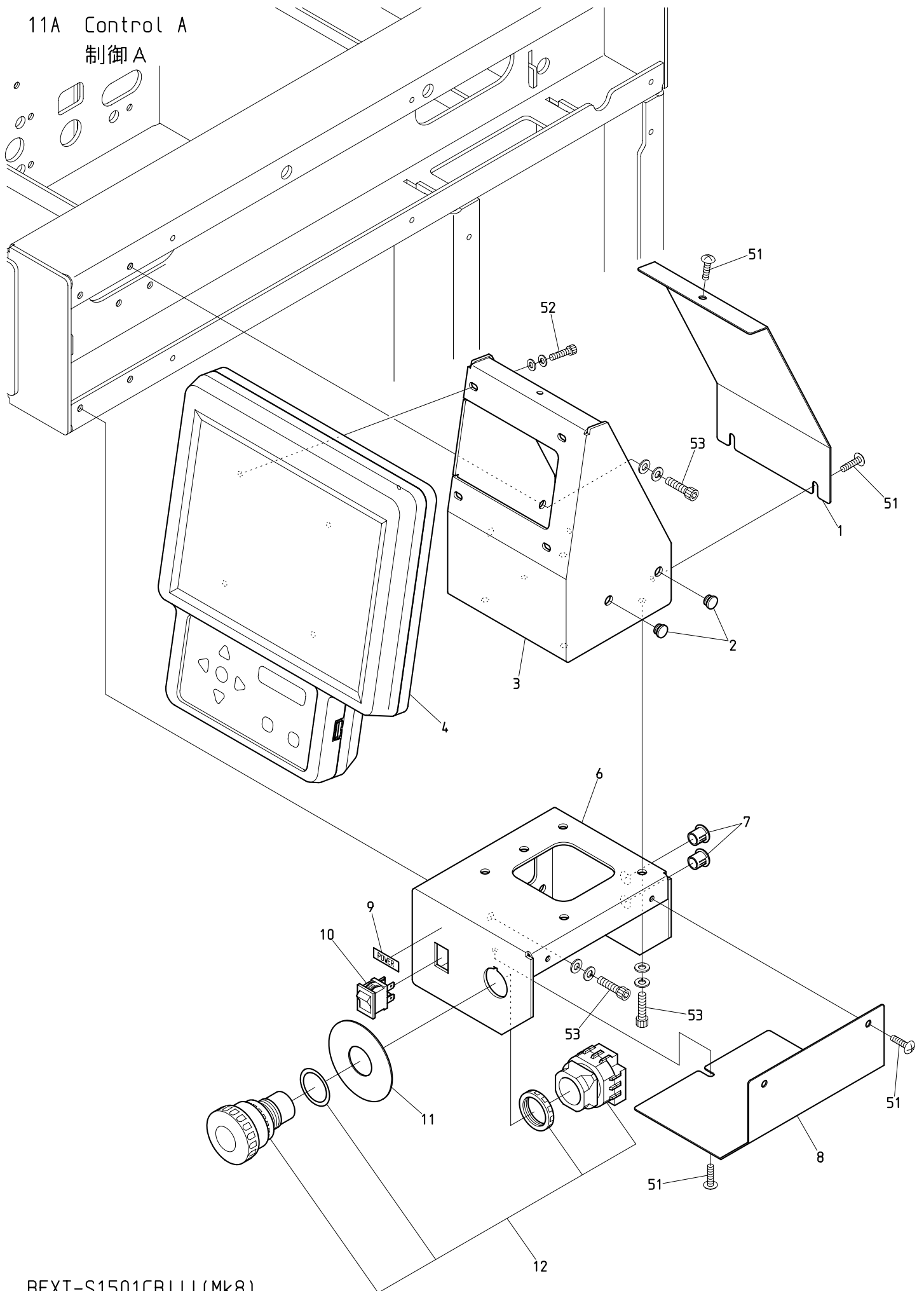
BEKT-S1501CBIII (Mk8)

10G Pantograph drive G
杵駆動G



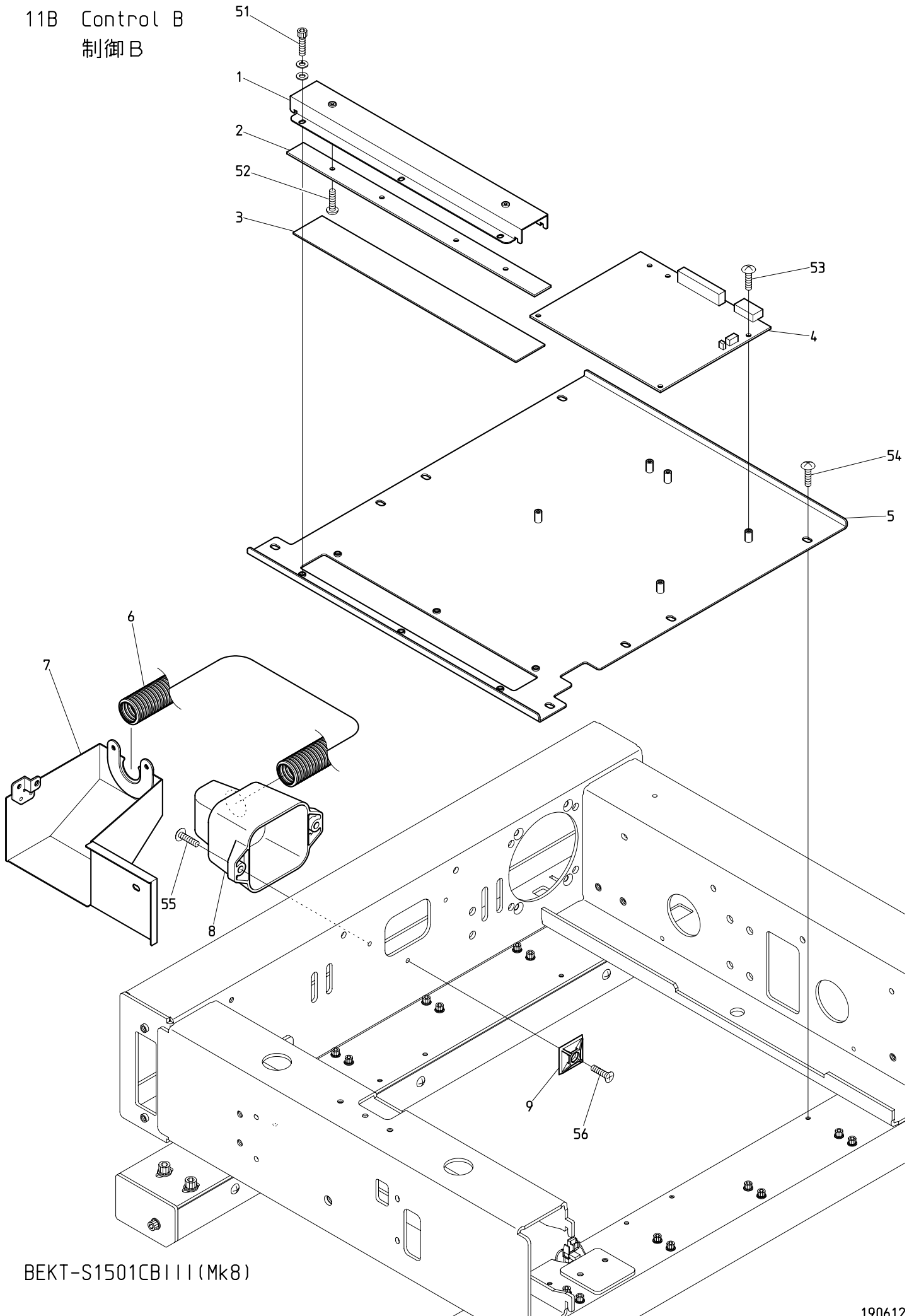
BEKT-S1501CB111 (Mk8)

11A Control A
制御A



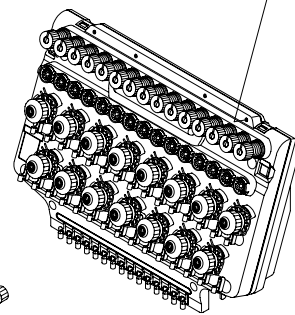
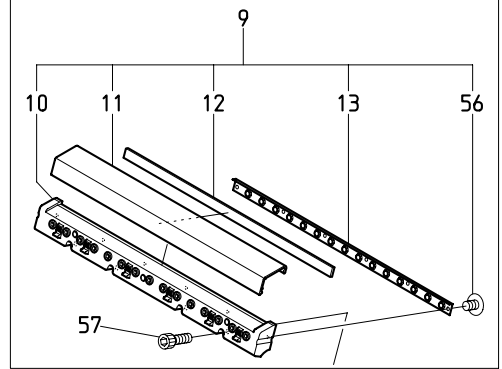
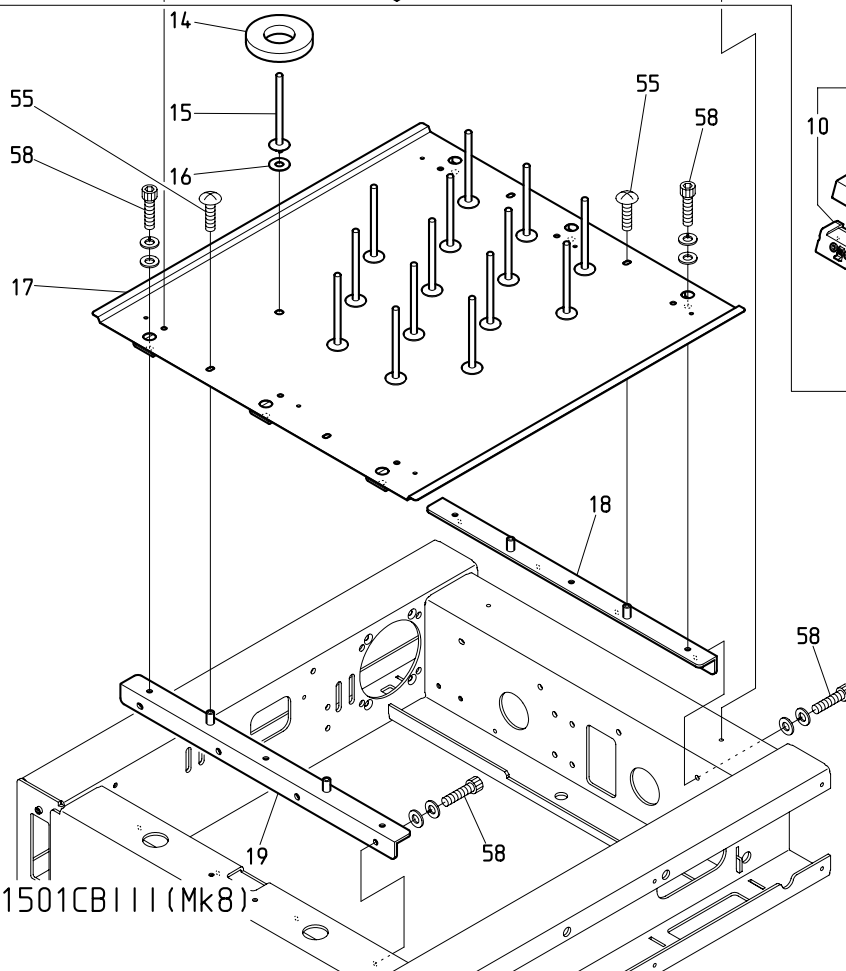
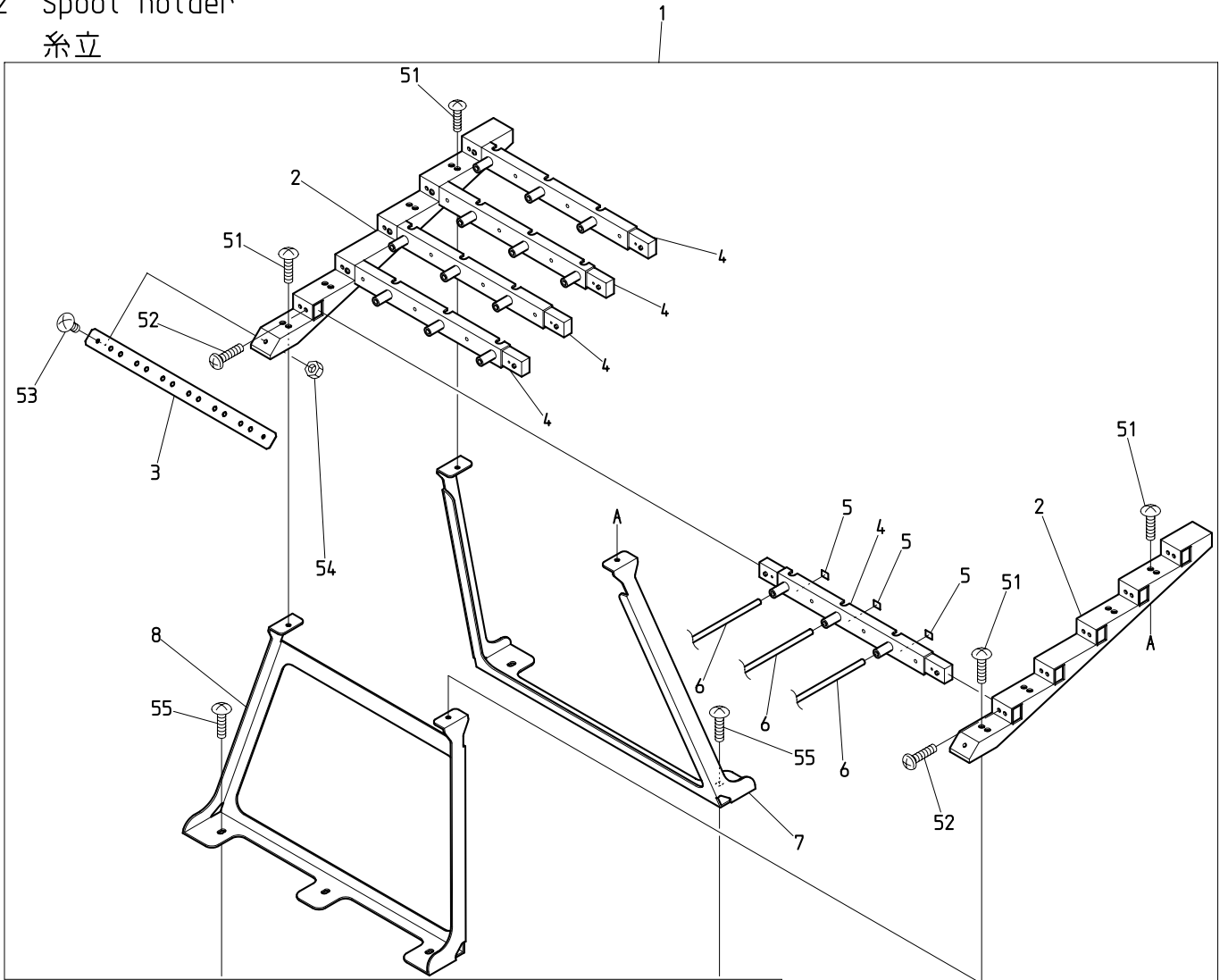
BEXT-S1501CB III (Mk8)

11B Control B
制御 B



BEKT-S1501CB III (Mk8)

12 Spool holder
糸立



BEXT-S1501CB111 (Mk8)

I N D E X

LIST No.	SECTION No.	ITEM	LIST No.	SECTION No.	ITEM
A1BB11220V0Z	0 0 E	3	A9012465	0 2 A	11
A1CB10306V0Z	0 2 C	10	A9012471	0 4 D	8
A1CB10412V0Z	0 0 C	8	A9012539	0 4 A	16
A1CB30306V0Z	0 2 C	5	A9012540	0 4 B	29
A1CB30614V0Z	0 0 E	11	A9012548	0 4 E	17
A1FB10414C0Z	0 0 C	3	A9012559	1 0 F	10
A1HS30412V0Z	0 4 D	15	A9012564	0 4 E	15
A1SP10303V0Z	0 4 E	11	A9012570	0 1 A	7
A1SP10308S0Z	0 4 A	6	A9012589	0 4 A	23
A2HN104V0Z	0 6	13	A9012607	1 2	16
A3PW1031310V	0 2 C	9	A9012610	0 0 C	19
A3PW1040810V	0 6	12	A9013083	1 0 F	8
A3PW1122425V	0 0 E	4	A9013085	0 0 C	22
A9010001	0 1 A	8	A9014059	0 1 A	3
A9010073	0 3	21	A9014161	0 0 C	14
A9010109	0 7	7	A9014167	0 4 A	13
A9010133	1 0 F	5	A9014211	0 2 A	8
A9010136	0 7	16	A9014211	0 4 B	22
A9010138	0 8 A	2	A9014225	0 0 A	1
A9010139	0 4 C	12	A9014225	0 0 A	6
A9010140	0 3	5	A9014227	0 0 A	4
A9010144	0 4 B	9	A9014249	1 1 A	7
A9011285	0 7	9	A9014252	1 1 A	2
A9011331	0 4 D	10	A9014253	0 0 C	7
A9011339	0 8 A	9	A9014254	0 0 C	18
A9011339	1 0 C	3	A9015011	0 2 A	3
A9011339	1 0 D	2	A9015062	1 0 E	7
A9011340	0 8 B	9	A9019072	1 0 A	9
A9011343	0 1 C	4	A9019121	0 0 E	10
A9011344	0 1 C	7	A9019142	0 8 C	3
A9011345	0 0 C	17	A9019145	1 1 A	11
A9012051	1 0 C	13	A9019152	0 1 C	3
A9012051	1 0 D	16	A9019153	0 0 E	8
A9012051	1 0 F	15	A9019154	0 0 A	8
A9012057	0 0 C	20	A9019155	1 1 A	11
A9012127	0 2 B	10	A9020255	0 8 A	3
A9012127	0 4 C	7	A9020256	1 0 B	3
A9012127	0 5	2	A9020256	1 0 F	6
A9012127	0 7	15	A9052028	0 2 B	8
A9012164	1 0 C	16	A9052105	1 1 A	12
A9012164	1 0 D	19	A9052111	1 1 A	10
A9012164	1 0 F	13	A9052112	1 1 A	12
A9012421	0 3	23	A9054067	1 1 A	5
A9012437C	0 0 D	1	A9056057	0 2 A	9
A9012437C	1 0 A	2	A9060063	0 1 C	13

I N D E X

LIST No.	SECTION No.	ITEM	LIST No.	SECTION No.	ITEM
A9067026	1 1 C	2	GK240120	0 6	21
A9068032	0 6	23	GK240130	0 6	20
A9068108	1 1 B	9	GK240140	0 6	22
A9068132	0 1 C	15	GK240191C	0 6	7
A9068146	0 2 C	1	GK240210	0 6	5
A9068155	1 1 B	6	GK240310	0 6	25
A9068156	1 0 G	8	GK240320	0 6	24
A9068165	0 0 A	9	GK240330	0 6	26
EAY168A1	1 1 A	4	GK240340	0 6	27
EBY03840	1 1 C	7	GK240350	0 6	28
EBY03870	1 1 B	2	GK240360	0 6	11
EBY03890	1 1 B	4	GK240370	0 4 E	4
EBY03900	0 6	4	GK240380	0 6	2
EDY00410	1 1 C	6	GK250000	0 4 E	3
EDY00420	1 0 F	1	GR270000	0 1 B	4
EDY00430	0 8 A	6	GR270010	0 1 B	9
EDY00430	1 0 B	7	GR270020	0 1 B	5
EDY00660	0 1 C	16	GR270030	0 1 B	6
EDY00920	1 1 C	3	GR270040	0 1 B	7
EDY01000	1 0 D	6	GR270050	0 1 B	8
EDY01000	1 0 G	4	GR270060	0 1 B	10
EDY01050	1 1 A	9	GR270070	0 1 B	11
EDY01060	0 8 B	15	GR270080	0 1 B	12
EDY01120	0 2 B	5	GR270090	0 1 B	3
EDY01120	0 5	13	GR270100	0 1 B	14
EFY00040	1 1 C	5	GR270120	0 1 B	18
EP536801	0 2 C	2	GR270130	0 1 B	16
EP536811	0 2 C	7	GR270140	0 1 B	17
EP536821	0 2 C	12	GR270150	0 1 B	13
EP536831	0 2 C	13	GR270160	0 1 C	18
EP537991	0 1 C	12	HB230070C	0 3	11
FA999052	0 6	9	HB230080C	0 3	12
FN070011Q1	0 4 A	31	HB230262C	0 4 B	27
FR92380438A520A	1 0 A	1	HB230271C	0 4 B	24
GK230000	0 4 D	5	HB230620	0 3	14
GK240000	1 2	9	HB230751C	0 4 A	4
GK240010	1 2	10	HB230800C	0 3	1
GK240020	1 2	11	HB240041	0 5	6
GK240030	1 2	12	HS220010C	0 1 A	11
GK240040	0 6	3	HT220061	0 1 A	5
GK240050	0 6	8	HT230120	0 4 A	27
GK240080	0 6	16	HT230341	0 4 C	11
GK240090	0 6	15	HT230640	0 4 B	17
GK240100	0 6	17	HT230750	0 4 B	8
GK240110	0 6	18	HT230760	0 4 B	13

I N D E X

LIST No.	SECTION No.	ITEM	LIST No.	SECTION No.	ITEM
HT240180	0 6	14	MR480060	1 0 F	9
HT270063	0 4 E	8	MR480071	1 0 E	10
KF210711	0 1 A	19	MR480080	1 0 E	2
KF220243C	0 1 A	17	MR480111	1 0 E	4
KF220530	0 1 A	20	MR480160	1 0 C	9
KF220670	0 1 A	15	MR480160	1 0 D	10
KF221020	0 1 A	21	MR480170	1 0 F	12
KF230501	0 3	7	MR480180	1 0 C	10
KF230531	0 4 C	8	MR480180	1 0 D	9
KF230531	0 5	3	MR480190	1 0 C	17
KF230680	0 3	8	MR480190	1 0 D	20
KF232130	0 4 A	26	MR480200	1 0 F	11
KF710390	1 2	14	MR480210	1 0 F	14
KF730750	0 0 D	5	MR480220	1 0 B	4
KF730760	0 0 D	3	MR480220	1 0 F	2
KF730900	0 0 D	4	MR480230	1 0 B	2
KL220140	0 1 A	13	MR480240	1 0 F	7
KL270450	0 2 B	4	MR480250	1 0 C	15
KN272401	0 2 B	7	MR480250	1 0 D	18
KN540510	0 6	10	MR480260	1 0 F	17
KV230040	0 4 A	19	MR480291	1 0 G	9
KX330160	0 7	17	MR730025	1 0 A	15
LA730610	1 0 A	6	MR730050	1 0 A	5
ME230114	0 4 A	10	MR730061	1 0 A	7
ME510090	0 2 C	11	MR730101	1 0 A	10
MF510010	0 7	12	MR730110	1 0 A	14
MG330070	0 7	11	MR730120	1 0 A	11
MG330080	0 7	10	MR790010	1 0 E	3
MG330090C	0 7	3	MS250070	0 2 A	1
MG330110	0 7	5	MS270032C	0 1 C	2
MH730020	1 0 A	12	MS310060	0 8 B	2
MH730030	1 0 A	4	MS510140	0 2 C	3
MH790030	0 7	2	MS510150	0 2 C	4
MH790030	0 8 B	5	MS510160	0 2 C	6
MK230080C	0 4 C	2	MS510170	0 2 C	8
MR220020	0 8 A	11	NBOGK240150	0 6	6
MR220140C	0 1 A	9	NBOGR270110	0 1 B	15
MR250010	0 7	1	NBOHH481980	1 0 C	8
MR310033	0 8 B	4	NBOHH481980	1 0 D	11
MR310080	0 8 B	3	NBOHT230221	0 4 D	6
MR330020	0 7	8	NBOHT710000	1 2	15
MR330030	0 7	4	NBOJH250010	0 2 A	6
MR480021	1 0 E	6	NBOKF220230	0 1 A	14
MR480040	1 0 E	9	NBOKF220290	0 1 A	16
MR480050	1 0 E	5	NBONE250000	0 0 A	7

I N D E X

LIST No.	SECTION No.	ITEM	LIST No.	SECTION No.	ITEM
NBOQA640340	0 0 E	7	NF250170	1 2	17
NBOQK230000	0 4 B	28	NF250180	0 0 A	5
NBOQK230010	0 4 B	26	NF250190	0 0 B	6
NBOQK230021	0 4 B	23	NF250200	0 0 A	3
NBOQK230050	0 4 B	21	NF250210	0 0 B	1
NBOQK230070	0 4 B	16	NF250281	0 0 B	3
NBOQK230082	0 4 B	10	NF250310	1 0 B	9
NBOQK230182	0 4 D	4	NF250320	1 0 D	3
NBOQK230210	0 3	9	NF250330	1 0 C	7
NBOQK230220	0 3	16	NF250340	1 0 G	2
NBOQK230230	0 3	15	NF250340	1 1 B	7
NBOQK230281	0 4 D	9	NF250350	1 0 G	1
NBOQK230390	0 4 A	8	NF250360	0 1 B	1
NBOQK230470	0 4 A	7	NF250370	0 1 A	2
NBOQK230501	0 4 A	11	NF250380	0 8 B	6
NBOQK230511	0 4 D	3	NF250390	0 8 B	11
NBOQK230870	0 4 D	12	NF270110	0 1 C	17
NBOQK250000	0 4 D	1	NF270120	0 1 A	10
NBOQK270000	0 2 B	2	NF270141	0 1 C	14
NBOQK270210	0 4 E	18	NF270151	0 1 C	11
NBORD270041	0 4 E	20	NF270160	0 1 C	10
NBOVB240041	0 5	5	NF270171	0 1 C	9
NB2QK230031	0 4 B	25	NF310000	0 8 A	7
NB2QK230260	0 3	2	NF310010	0 8 A	5
NF110160	0 0 B	2	NF310030	0 8 A	10
NF110171	0 0 E	1	NF310040	0 8 A	8
NF110181	0 0 E	5	NF310050	0 8 B	10
NF110191	0 0 E	6	NF310060	0 8 B	8
NF110200	0 0 E	2	NF310070C	0 8 C	5
NF110211	0 0 E	9	NF310080	0 8 C	1
NF110220	1 2	19	NF310090	0 8 C	2
NF110230	1 2	18	NF310100	0 8 B	1
NF210081	0 1 A	12	NF330000C	0 7	14
NF210101	0 1 A	1	NF330010	0 7	13
NF210110	0 1 B	2	NF330020	0 7	6
NF220000	0 1 A	18	NF480020C	1 0 C	4
NF220010C	0 1 A	4	NF480020C	1 0 D	7
NF220030	0 1 A	6	NF480030	1 0 C	5
NF250000C	1 1 B	8	NF480030	1 0 D	8
NF250010	0 0 B	4	NF480061	1 0 C	1
NF250010	0 8 B	7	NF480061	1 0 D	1
NF250110	1 1 A	8	NF480140	1 0 B	5
NF250130	1 1 B	3	NF480180	1 0 E	8
NF250141	0 0 B	5	NF480210	1 0 G	6
NF250151	1 0 B	8	NF480220	1 0 G	3

I N D E X

LIST No.	SECTION No.	ITEM	LIST No.	SECTION No.	ITEM
NF480250	1 0 F	16	NK120060	0 0 C	21
NF480260	1 0 E	13	NK120070	0 0 C	16
NF480270	1 0 E	11	NK120080	0 0 C	23
NF480280	1 0 C	11	NK120090	0 0 C	24
NF480280	1 0 D	12	NK120100	0 0 C	12
NF480290	1 0 D	4	NK120110	0 0 C	11
NF480300	1 0 C	2	NK120120	0 0 C	10
NF480310	1 0 D	15	NK120130	0 0 C	5
NF480320	1 0 C	6	NK120140	0 0 C	15
NF480330	1 0 D	14	NK210030	0 2 A	2
NF480340	1 0 C	12	NK250000	0 8 B	16
NF480350	1 0 D	17	NK250010	0 4 E	2
NF480360	1 0 C	14	NK250020	0 4 E	1
NF480370	1 0 D	5	NK250030	1 1 A	1
NF480380	1 0 D	13	NK270001	0 1 C	1
NF480390	1 0 B	6	NK270010	0 1 C	5
NF480400	1 0 B	1	NK270020	0 1 C	8
NF480410	1 0 F	3	NK270030	0 1 C	6
NF480420	1 0 E	1	NK310000	0 8 A	4
NF480430	1 0 E	12	NK310010	0 8 A	1
NF480440	1 0 F	4	NK310020	0 8 B	12
NF480450	1 0 G	7	NK310030	0 8 B	13
NF480460	1 0 G	5	NK310040	0 8 B	14
NF510010	1 1 B	1	NK310050	0 8 C	4
NF510021	1 1 A	6	NK510000	1 1 A	3
NF510040	1 1 C	8	PF270040	0 4 E	7
NF510050	1 1 C	9	PF270050	0 4 E	9
NF510060	1 1 C	1	PF270060	0 4 E	12
NF510070	1 1 C	4	QH230230	0 4 B	11
NF510190	1 1 B	5	QK230040	0 4 C	1
NF710120	1 2	1	QK230061	0 4 B	2
NF710130	1 2	8	QK230093C	0 4 B	19
NF710140	1 2	7	QK230112	0 4 B	3
NF730060	1 0 A	3	QK230121C	0 4 B	5
NF730070	1 0 A	13	QK230151C	0 4 C	6
NF730080	1 0 A	8	QK230170	0 4 B	1
NF730090	0 0 D	2	QK230190C	0 4 D	7
NF730100	0 0 D	6	QK230240	0 3	13
NK110000	0 0 A	2	QK230250C	0 3	6
NK120000	0 0 C	1	QK230271	0 3	4
NK120010	0 0 C	2	QK230291	0 4 A	21
NK120020	0 0 C	4	QK230300C	0 4 A	3
NK120030	0 0 C	9	QK230311	0 4 A	5
NK120040	0 0 C	6	QK230320C	0 4 C	13
NK120050	0 0 C	13	QK230350C	0 4 A	24

I N D E X

LIST No.	SECTION No.	ITEM	LIST No.	SECTION No.	ITEM
QK230360C	O 4 A	9	RH230440	O 4 A	28
QK230370C	O 4 A	17	RH230450	O 4 A	29
QK230380C	O 4 A	15	RH230460	O 4 A	30
QK230440	O 4 D	2	RH230610	O 3	3
QK230451	O 4 A	14	RN230010	O 3	18
QK230480	O 4 A	18	RN230020C2	O 3	19
QK230520	O 4 A	1	RN230030	O 3	20
QK230530	O 4 A	22	RN230040	O 3	22
QK230561	O 4 A	20	RR230131	O 4 B	12
QK230592	O 4 A	2	RR230140	O 4 B	15
QK230600	O 3	10	RR230151	O 4 B	14
QK230650	O 4 B	20	RR240390	O 6	19
QK230660	O 4 C	5	RV240180	1 2	13
QK230673	O 4 B	18	RV710050	1 2	6
QK230680	O 4 C	4	SC210001	O 1 B	19
QK230710	O 4 B	7	SC210010	O 1 B	20
QK230731	O 4 D	14	SG230180	O 4 C	9
QK230742	O 4 D	17	SG230190	O 4 C	10
QK230750	O 4 D	11	SG230220	O 4 A	25
QK230761	O 4 D	13	SG230270	O 4 C	3
QK230771	O 4 D	16	SL230081	O 4 A	32
QK230880	O 4 B	6	SL270040	O 4 E	14
QK230890	O 4 B	4	SL270130	O 4 E	13
QK230960	O 4 A	12	SL270150	O 4 E	6
QK231040	O 2 B	15	VB240001	O 5	1
QK231040	O 2 C	14	VB240010	O 5	7
QK240040C	O 5	4	VB240020	O 5	12
QK250020C	O 2 A	5	VB240030	O 5	11
QK250031	O 2 A	4	VB240050	O 5	8
QK270012C	O 2 B	3	VB240060	O 2 B	13
QK270100C	O 2 A	13	VB240060	O 5	9
QK270110	O 2 A	7	VB240070	O 5	10
QK270120	O 2 A	12	VB270000	O 2 B	1
QK270130C	O 2 A	10	VB270010	O 2 B	6
QK270150	O 4 E	10	VB270020	O 2 B	14
QK270201	O 4 E	16	VB270030	O 2 B	12
QK270271	O 4 E	5	VB270040	O 2 B	9
QK270360	O 2 B	11			
RD270020	O 4 E	19			
RD710330	1 2	4			
RD710340	1 2	2			
RD710370	1 2	3			
RD710380	1 2	5			
RH230271	O 3	17			
RH230330C	O 3	24			